

Incredible **100,000 hrs**

GENERAL DESCRIPTION

Neptun's 18" Semi Cut-Off Wall Pack fixtures feature classic form and durability to make it an excellent choice for new construction or retrofit applications. Neptun's Induction Wall Pack fixtures feature a high CRI and bright white 5000°K color temperature for increased safety and security. They can replace existing HID fixtures up to 400 Watts.

APPLICATION

- Building Accent Lighting
- Landscape Lighting
- Security Lighting
- Parking Lot Lighting
- Area Lighting
- Storage Area Lighting

STRUCTURE, MATERIALS, & FEATURES

- Heavy-gauge, die-cast aluminum housing.
- Custom designed anodized aluminum reflectors for superior illuminance.
- Heat and impact resistant flat frosted glass lens.
- Corrosion resistant electrocoat dark bronze finish (custom colors available).
- Hinged aluminum door frame incorporates stainless steel hardware.
- Continuous silicone gasketing surrounds lens for weather - tight seal.
- Inductively coupled rectangular induction bulb.
- High power factor, low THD electronic ballast.
- Instant-On flicker-free Cold Start and Hot Re-Start.
- High quality glare-free light with high CRI above (83).
- Bright white light (5000°K) for greater visibility and safety.
- Advance phosphors for high lumen output and high lumen maintenance.
- Up to 20 year maintenance free operation.
- 10 Year Warranty

ORDERING INFORMATION

Sample Number: 21080SCT-UNV-850-LD-120V-BRZ
 Custom options and accessories available. Please consult factory

| Series | Lamp Wattage | Lens Type | Voltage | Color Temp | Accessories | Color |
|----------------|--|--------------------|----------------------------------|---|---|--|
| 21 = Wall Pack | 040 = 40 W 080 = 80 W 100 = 100 W 120 = 120 W 150 = 150 W 200 = 200 W | SCT = Semi Cut-Off | UNV = 120-277 VAC 480 = 480 V | 830 = 3000°K 841 = 4100°K 850 = 5000°K* * Standard | LD-120V = Photocell for 120V LD-277V = Photocell for 277V MD = Motion Sensor Detector | BRZ = Dark Bronze * Custom Colors Available |



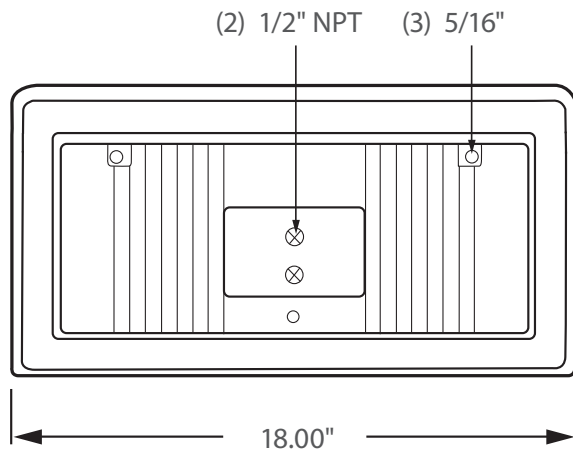
PRODUCT INFORMATION

| Model No. | Description | Rated Watts | Input Watts | Initial Lumens | Universal Line Voltage (VAC) | Max Line Current (Amp) | THD | Power Factor | Weight |
|-----------|--------------------------|-------------|-------------|----------------|------------------------------|------------------------|------|--------------|--------|
| 21080-SCT | Wall Pack - Semi Cut-Off | 80 | 82 | 6,400 | 120-277 | 0.69-0.30 | <10% | 0.98 | 20 lbs |
| 21100-SCT | Wall Pack - Semi Cut-Off | 100 | 105 | 8,000 | 120-277 | 0.87-0.37 | <10% | 0.98 | 20 lbs |
| 21120-SCT | Wall Pack - Semi Cut-Off | 120 | 125 | 9,600 | 120-277 | 1.05-0.45 | <10% | 0.98 | 20 lbs |
| 21150-SCT | Wall Pack - Semi Cut-Off | 150 | 158 | 12,000 | 120-277 | 1.31-0.56 | <10% | 0.98 | 23 lbs |
| 21200-SCT | Wall Pack - Semi Cut-Off | 200 | 210 | 16,000 | 120-277 | 1.74-0.75 | <10% | 0.98 | 23 lbs |

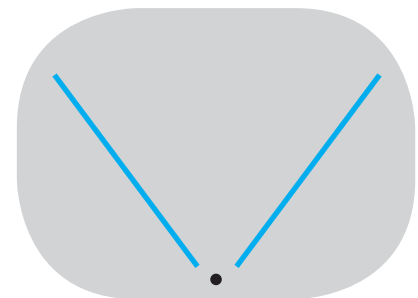
SPECIFICATIONS

- Ballast Type Electronic
- Start Method InstantON
- Hot Re-start InstantON
- Universal Input Line Voltage 120-277 VAC
- Input Line Frequency 50/60 Hz
- Lamp Operating Frequency 250 kHz
- Ballast Off-State Draw 0 Watts
- Sound Rating Class A
- ANSI Surge Protection Class A
- Lamp / Ballast System Life 100,000 Hrs.
- Lumen Maintenance @75,000Hrs > 70%
- Color Temperature 5000°K
- Color Rendering Index (CRI) 83
- Minimum Starting Temperature -20°F
- Maximum Starting Temperature 160°F
- Lumens per Watt 80
- Shock / Vibration Resistant Yes
- Power Factor > 0.98
- Total Harmonic Distortion < 10%
- Inrush Current Peak < 10 Amp
- ETL Listed / UL Standard 1598 Yes
- FCC Compliance Part 18, Subp. C
- IP Rating IP65
- Warranty 10 Year

MOUNTING OPTIONS



PHOTOMETRICS (See Complete IES File)



Type IV Distribution