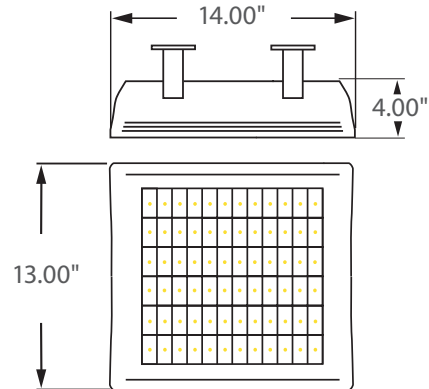




Please check latest update for complete information.
http://www.designlights.org/solidstate.about.QualifiedProductsList_Publicv2.php



Incredible **70,000 hrs**

GENERAL DESCRIPTION

Neptun's 14" low-profile LED fixtures feature a sleek architectural design and durability to be used in new construction or retrofit applications. The 49 series canopy fixture features excellent optics and its rugged design allows for use in a variety of indoor and outdoor applications. It can replace existing HID & HPS fixtures up to 150 Watts.

APPLICATION

- Parking Garage Lighting
- Canopy Lighting
- Freezer Lighting
- Gas Station Lighting
- Indoor Low-Bay Lighting
- Storage Lighting
- Security Lighting
- Area Lighting

STRUCTURE, MATERIALS, & FEATURES

- Heavy-gauge, die-cast aluminum housing with cooling fins.
- Heat and impact resistant tempered glass lens with anti-glare diffuser.
- Corrosion resistant electrocoat dark grey finish (custom colors available).
- Continuous silicone gasket surrounds lens for weather - tight seal.
- Various mounting options available.
- 72 PCS High Output LED's.
- High power factor, low THD driver.
- Instant-On flicker-free Cold Start and Hot Re-Start.
- Bright white light (5000°K) for greater visibility and safety.
- LED engine design with Advanced Thermal Management.
- Up to 15 year maintenance free operation.
- 5 Year Warranty on complete fixture. (LED's, Driver, & Housing)

ORDERING INFORMATION

Sample Number: LED-49040-14-UNV-750-LD-120V-PDM-DGRY
 Custom options and accessories available. Please consult factory

Source	Series	Wattage	Size	Voltage	Color Temp	Accessories	Color
LED	49 = Low-Profile	040 = 40W 055 = 55W 070 = 70W	14 = 14" Housing	UNV = 120-277 VAC 347V = 347 VAC 480V = 480 VAC	735 = 3500°K 741 = 4100°K 750 = 5000°K * * Standard	LD-120V = Photocell for 120V LD-277V = Photocell for 277V MD = Motion Sensor Detector GPPL - Gripple Hangers PDM = Pendant Mount * See pg. 2 for mounting	DGRY = Dark Grey * Custom Colors available



PRODUCT INFORMATION

Model No.	Description	Rated Watts	Input Watts	Initial Lumens	Universal Line Voltage (VAC)	Max Line Current (Amp) @ 120 - 277	THD	Power Factor	Weight
LED-49040-14-UNV	Low Profile LED Fixture	40	41	4,160	120-277	0.34 - 0.15	<15%	>0.98	25 lbs
LED-49055-14-UNV	Low Profile LED Fixture	55	57	5,060	120-277	0.48 - 0.20	<15%	>0.98	25 lbs
LED-49070-14-UNV	Low Profile LED Fixture	70	72	6,300	120-277	0.61 - 0.26	<15%	>0.98	25 lbs

SPECIFICATIONS

- LED Driver Constant Current
- Power Supply 350mA
- Start Method InstantON
- Hot Re-start InstantON
- Universal Input Line Voltage 120-277 VAC
- Input Line Frequency 50/60 Hz
- Ballast Off-State Draw 0 Watts
- Sound Rating Class A
- ANSI Surge Protection Class A
- LED / Driver System Life 70,000 Hrs.
- Lumen Maintenance @50,000Hrs > 70%
- Color Temperature 5000°K
- Color Rendering Index (CRI) > 70
- Minimum Starting Temperature -40°C
- Maximum Starting Temperature 50°C
- Lumens per Watt > 85
- Shock / Vibration Resistant ANSI - C136.31.
- Power Factor > 0.98
- Total Harmonic Distortion < 15%
- Inrush Current Peak < 10 Amp
- ETL Listed / UL Standard 1598 Yes
- FCC Compliance Part 18, Subp. C
- IP Rating IP66
- Warranty 5 Year

MOUNTING OPTIONS

Surface Mount



Adjustable Mounting Brackets (Standard)

Hanging Mount

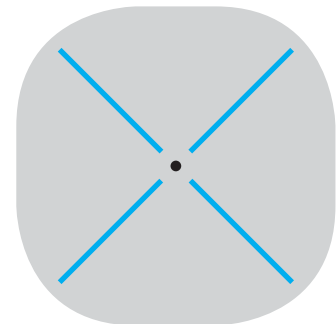


Supplied with Gripple Hangers (GPPL)



Pendant Mount
3/4" K.O.
(PDM)

PHOTOMETRICS (See Complete IES File)



Type V Distribution