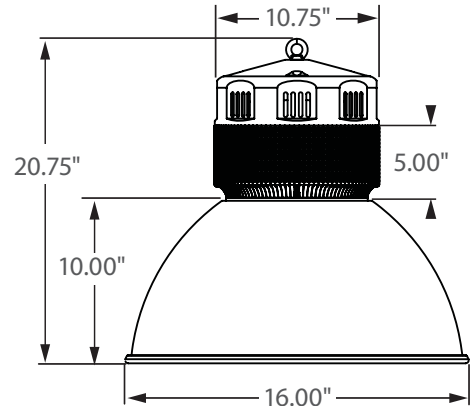




**** AVAILABLE ****

Bi-Level Dimming
100% 50%

0 - 10V
FULL DIMMING



Incredible **75,000 hrs**

GENERAL DESCRIPTION

Neptun's LED Polycarbonate Low-Bay fixtures combine classic form and versatility to make it an excellent choice for new construction or retrofit applications. The polycarbonate refractor offers excellent optics with horizontal and vertical footcandles. The 16" housing is offered in a variety of wattages to provide maximum flexibility in all types of applications. It can replace existing HID & HPS fixtures up to 250W.

APPLICATION

- Retail Lighting
- Showroom Lighting
- Grocery Store Lighting
- Area & Storage Lighting

STRUCTURE, MATERIALS, & FEATURES

- 16" High Efficiency, heat and impact resistant, UV protected, non yellowing, polycarbonate refractor.
- Corrosion resistant die-cast aluminum gear box with electrocoat finish.
- High Output COB LED's.
- High power factor, low THD driver with 10kV Surge Protection.
- High performance Thermal Management system.
- Instant-On flicker-free Cold Start and Hot Re-Start.
- Bright white light (5000°K) for greater visibility and safety.
- Up to 15 year maintenance free operation.
- 5 Year Warranty on complete fixture. (LED's, Driver, & Housing)
- **Optional:** Bi-Level Dimming, 0-10V Dimming, Wi-Fi Control, Remote Monitoring and ON/ OFF Control

ORDERING INFORMATION

Sample Number: LED-17050-PC-UNV-BL-DIM-850-MD-C3
Custom options and accessories available. Please consult factory

Series	Wattage	Reflector	Voltage	Options	CCT	Accessories	Options
LED-17 = 16" High Bay	050 = 50 W 080 = 80 W 100 = 100 W 160 = 160 W 240 = 240 W	PC = Polycarbonate	UNV = 120-277 VAC 347V = 347 VAC 480V = 480 VAC	0-10VDIM = 0-10V Dimming BL-DIM = Bi-Level Dimming * * Includes Motion Sensor ** Contact Factory for dimming options	835 = 3500°K 841 = 4100°K 850 = 5000°K * * Standard	MD = Motion Sensor ON/OFF DLH = Day Light Harvesting* * Offered with 0-10V Dimming)	C3* = 3' Cord-No Plug (other lengths available C6 = 6' cord) PC3 = 3' Cord with NEMA Plug PL = Polycarbonate Lens (verify plug type when ordering) * Standard



lightinnovations@work™

PRODUCT INFORMATION

Model No.	Description	Rated Watts	Input Watts	Initial Lumens	Universal Line Voltage (VAC)	Max Line Current (Amp) @ 120 - 277	THD	Power Factor	Weight
LED-17050-PC-UNV	LED Low Bay Fixture	50	51	5,500	120-277	0.52 - 0.22	<20%	>0.90	15 lbs
LED-17080-PC-UNV	LED Low Bay Fixture	80	81	8,000	120-277	0.69 - 0.30	<20%	>0.90	15 lbs
LED-17100-PC-UNV	LED Low Bay Fixture	100	102	9,500	120-277	0.87 - 0.37	<20%	>0.90	15 lbs
LED-17160-PC-UNV	LED High Bay Fixture	160	162	13,600	120-277	1.39 - 0.60	<20%	>0.90	15 lbs
LED-17240-PC-UNV	LED High Bay Fixture	240	243	20,500	120-277	2.10 - 0.90	<20%	>0.90	15 lbs

SPECIFICATIONS

- Driver Constant Current
- Start Method InstantON
- Hot Re-start InstantON
- Power Supply 350mA
- Driver UL Rating Class 1
- Driver UL Outdoor Rated Wet Location
- Sound Rating Class A
- ANSI Surge Protection IEEE C62.41 C High
- Driver Off-State Draw 0 Watts
- Universal Input Line Voltage 120-277 VAC
- Input Line Frequency 50/60 Hz
- LED / Driver System Life 75,000 Hrs.
- Lumen Maintenance @50,000Hrs > 70%
- Color Temperature 5,000°K
- Color Rendering Index (CRI) > 80
- Minimum Starting Temperature -40°C
- Maximum Starting Temperature +50°C
- Lumens per Watt > 90
- Shock / Vibration Resistant Yes
- Power Factor > 0.90
- Total Harmonic Distortion < 20%
- Inrush Current Peak < 10 Amp
- FCC Compliance Part 15, Subp. C
- ETL Listed / UL Standard 1598 Yes
- Housing IP Rating IP43
- Driver IP Rating IP67
- Warranty 5 Year

MOUNTING OPTIONS

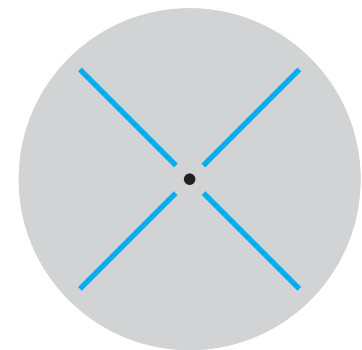
Hook Mount (Standard)



Pendant Mount
(Verify NPT size with factory)



PHOTOMETRICS (See Complete IES File)



Type V Distribution

Neptun Light, Inc.
13950 Business Center Drive
Lake Forest, IL 60045
Fax: 847.735.8004

Neptun Light, Inc. reserves the right to change materials or modify the design of its product without notification as part of the company's continuing product improvement program.
©2002-2013 Neptun Light, Inc. All rights reserved.

Spec. Rev. 1-2015