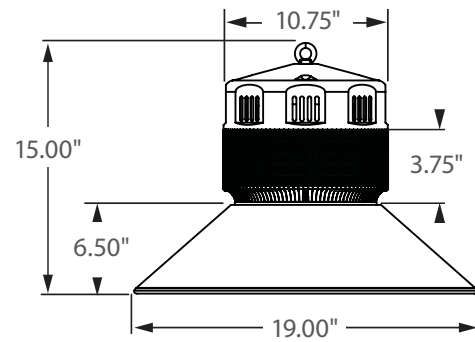




** AVAILABLE **

Bi-Level 100%	Dimming 50%
0 - 10V FULL DIMMING	



Incredible **75,000 hrs**

GENERAL DESCRIPTION

Neptun's 19" LED Low Bay fixtures combine architectural design and versatility to make it an excellent choice for new construction or retrofit applications. The low bay fixture features a frosted lens design to create an even glow illumination and minimize glare. It can replace existing HID & HPS low bay fixtures up to 400W.

APPLICATION

- Retail Lighting
- Showroom Lighting
- Grocery Store Lighting
- Area & Storage Lighting

STRUCTURE, MATERIALS, & FEATURES

- 19" Aluminum hood with aluminum finish.
- Aluminum cast heat sink for excellent thermal management.
- High Output COB LED's.
- High power factor, low THD driver with 10kV Surge Protection.
- High performance Thermal Management system.
- Instant-On flicker-free Cold Start and Hot Re-Start.
- Bright white light (5000°K) for greater visibility and safety.
- LED engine design with Advanced Thermal Management.
- Up to 15 year maintenance free operation.
- 5 Year Warranty on complete fixture. (LED's, Driver, & Housing)
- **Optional:** Bi-Level Dimming, 0-10V Dimming, Wi-Fi Control, Remote Monitoring and ON/ OFF Control

ORDERING INFORMATION

Sample Number: LED-LB-19050-AL-UNV-BL-DIM-850-MD-C3
Custom options and accessories available. Please consult factory

Series	Wattage	Reflector	Voltage	Options	CCT	Accessories	Options
LED-LB-19 = Low Bay	050 = 50 W 080 = 80 W 100 = 100 W 120 = 120 W 150 = 150 W	AL = Aluminum	UNV = 120-277 VAC 347V = 347 VAC 480V = 480 VAC	0-10VDIM = 0-10V Dimming BL-DIM = Bi-Level Dimming * * Includes Motion Sensor ** Contact Factory for dimming options	835 = 3500°K 841 = 4100°K 850 = 5000°K * * Standard	MD = Motion Sensor ON/OFF DLH = Day Light Harvesting* * Offered with 0-10V Dimming)	C3* = 3' Cord-No Plug (other lengths available C6 = 6' cord) PC3 = 3' Cord with NEMA Plug (verify plug type when ordering) * Standard



PRODUCT INFORMATION

Model No.	Description	Rated Watts	Input Watts	Initial Lumens	Universal Line Voltage (VAC)	Max Line Current (Amp) @ 120 - 277	THD	Power Factor	Weight
LED-LB-19050-AL-UNV	LED Low Bay Fixture	50	52	5,000	120-277	0.43 - 0.18	<20%	>0.90	15 lbs
LED-LB-19080-AL-UNV	LED Low Bay Fixture	80	83	8,000	120-277	0.69 - 0.30	<20%	>0.90	15 lbs
LED-LB-19100-AL-UNV	LED Low Bay Fixture	100	103	10,000	120-277	0.87 - 0.37	<20%	>0.90	15 lbs
LED-LB-19120-AL-UNV	LED Low Bay Fixture	120	123	11,000	120-277	1.05 - 0.45	<20%	>0.98	15 lbs
LED-LB-19150-AL-UNV	LED Low Bay Fixture	150	154	13,500	120-277	1.31 - 0.56	<20%	>0.98	15 lbs

SPECIFICATIONS

- Driver Constant Current
- Start Method InstantON
- Hot Re-start InstantON
- Power Supply 350mA
- Driver UL Rating Class 1
- Driver UL Outdoor Rated Wet Location
- Sound Rating Class A
- ANSI Surge Protection IEEE C62.41 C High
- Driver Off-State Draw 0 Watts
- Universal Input Line Voltage 120-277 VAC
- Input Line Frequency 50/60 Hz
- LED / Driver System Life 75,000 Hrs.
- Lumen Maintenance @50,000Hrs > 70%
- Color Temperature 5,000°K
- Color Rendering Index (CRI) > 80
- Minimum Starting Temperature -40°C
- Maximum Starting Temperature +50°C
- Lumens per Watt > 90
- Shock / Vibration Resistant Yes
- Power Factor > 0.90
- Total Harmonic Distortion < 20%
- Inrush Current Peak < 10 Amp
- FCC Compliance Part 15, Subp. C
- Housing IP Rating IP43
- Driver IP Rating IP67
- Warranty 5 Year

MOUNTING OPTIONS

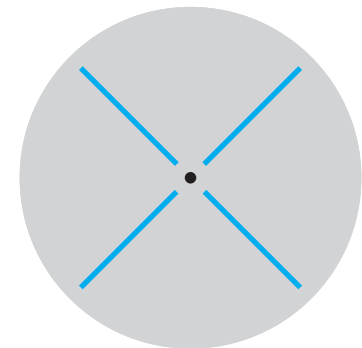
Hook Mount (Standard)



Pendant Mount
(Verify NPT size with factory)



PHOTOMETRICS (See Complete IES File)



Type V Distribution

Neptun Light, Inc.
13950 Business Center Drive
Lake Forest, IL 60045
Fax: 847.735.8004

Neptun Light, Inc. reserves the right to change materials or modify the design of its product without notification as part of the company's continuing product improvement program.
©2002-2013 Neptun Light, Inc. All rights reserved.

Spec. Rev. 10-2014