

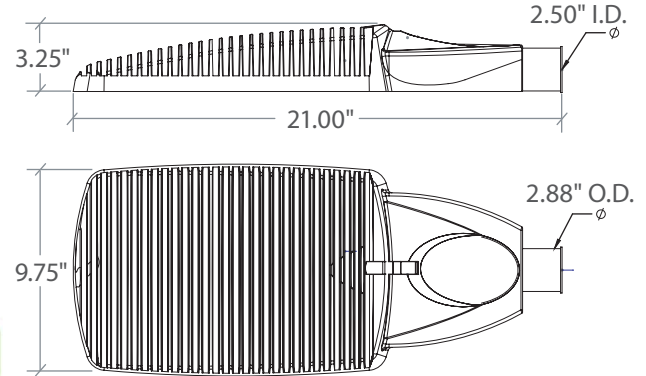


Please check latest update for complete information.  
[http://www.designlights.org/solidstate.about.QualifiedProductsList\\_Publicv2.php](http://www.designlights.org/solidstate.about.QualifiedProductsList_Publicv2.php)



\*\* AVAILABLE \*\*

Bi-Level 100%	Dimming 50%
0 - 10V FULL DIMMING	



Incredible **75,000 hrs**

## GENERAL DESCRIPTION

Neptun's Kometa™ Mini LED Street Light fixtures combine architectural form and versatility to make it an excellent choice for new construction or retrofit applications. The Kometa fixture is offered in a variety of wattages to provide maximum flexibility in all types of applications. Custom engineered Type II & III Asymmetrical optics provide excellent uniformity and efficiency. It can replace existing HID & HPS fixtures up to 175W.

## APPLICATION

- Street Lighting
- Pathway Lighting
- Parking Lot Lighting
- Security Lighting
- Storage Area Lighting

## STRUCTURE, MATERIALS, & FEATURES

- Heavy-gauge, die-cast aluminum housing with cooling fins.
- Corrosion resistant electrocoat grey finish (custom colors available).
- Slim, state of the art, low profile design for minimum wind load resistance.
- Heat and impact resistant tempered flat glass lens. (IESNA full-cutoff)
- Toolless entry gear box for easy maintenance and installation.
- Continuous silicone gasket surrounds lens for IP66 weather tight seal.
- Optional NEMA Twist lock Photocell for increased energy savings.
- High Output Cree LED's.
- Driver with built in Neptun Surge Protective Device (NSPD) provides single phase protection for Line/Neutral, Line/Ground, and Neutral/Ground in accordance with IEEE C62.41 C High (10kV & 10kA).
- InstantON flicker-free Cold Start and Hot Re-Start.
- Up to 15 years Maintenance free operation.
- 5 Year Warranty on complete fixture. (LED's, Driver, & Housing)
- **Optional:** 0-10V Dimming, Bi-Level Dimming, Remote Monitoring and ON/OFF Control, DC 24V Operation - Solar Compatible

## ORDERING INFORMATION

Sample Number: LED-451040-UNV-0-10VDIM-850-LD-T2A-GRY  
 Custom options and accessories available. Please consult factory

Series	Wattage	Voltage	Options	Color Temp	Accessories	Optics	Color
LED-451 = Street Light	040 = 40 W 050 = 50 W 060 = 60 W 080 = 80 W	UNV = 120-277 VAC 347V = 347 VAC 480V = 480 VAC 24VDC = 24 VDC	0-10VDIM = 0-10V Dimming BL-DIM = Bi-Level Dimming * * Includes Motion Sensor * Contact factory for dimming options	835 = 3500°K 841 = 4100°K 850 = 5000°K * * Standard	LD = NEMA Photocell MD = Motion Sensor ON/OFF LGN = Light Genie Node ** ** Contact factory for product information	T2A = Type 2 Asymmetrical T3A = Type 3 Asymmetrical	GRY = Grey * Custom Colors Available



### PRODUCT INFORMATION

Model No.	Description	Rated Watts	Input Watts	Initial Lumens	Universal Line Voltage (VAC)	Max Line Current (Amp) 120 - 277	THD	Power Factor	Weight
LED-451040-UNV	LED Street Light Fixture	40	42	3,800	120-277	0.34 - 0.15	<20%	>0.90	18 lbs
LED-451050-UNV	LED Street Light Fixture	50	52	4,500	120-277	0.43 - 0.18	<20%	>0.90	18 lbs
LED-451060-UNV	LED Street Light Fixture	60	62	5,300	120-277	0.52 - 0.22	<20%	>0.90	18 lbs
LED-451080-UNV	LED Street Light Fixture	80	82	6,100	120-277	0.69 - 0.30	<20%	>0.90	18 lbs

### SPECIFICATIONS

- Driver ..... Constant Current
- Start Method ..... InstantON
- Hot Re-start ..... InstantON
- Power Supply ..... 350mA
- Driver UL Rating ..... Class 1
- Driver UL Outdoor Rated ..... Wet Location
- Sound Rating ..... Class A
- ANSI Surge Protection ..... IEEE C62.41 C High
- Current Crest Factor ..... 1.5 maximum
- Load Regulation: 5% output current variation across load range
- Line Regulation: 1% output voltage variation across voltage range
- Driver Off-State Draw ..... 0 Watts
- Vibration Compliance ..... 3G
- Universal Input Line Voltage ..... 120-277 VAC
- Input Line Frequency ..... 50/60 Hz
- LED / Driver System Life ..... 75,000 Hrs.
- Lumen Maintenance @50,000Hrs ..... > 70%
- Color Temperature ..... 5,000°K
- Color Rendering Index (CRI) ..... > 80
- Minimum Starting Temperature ..... -40°C
- Maximum Starting Temperature ..... +50°C
- Lumens per Watt ..... > 90
- Shock / Vibration Resistant ..... Yes
- Power Factor ..... > 0.90
- Total Harmonic Distortion ..... < 20%
- Inrush Current Peak ..... < 10 Amp
- FCC Compliance ..... Part 15, Subp. C
- ETL Listed / UL Standard 1598 ..... Yes
- EPA Rating ..... 0.47 ft.<sup>2</sup>
- Housing IP Rating ..... IP65
- Driver IP Rating ..... IP67
- Optics IP Rating ..... IP66
- Warranty ..... 5 Year

### MOUNTING OPTIONS

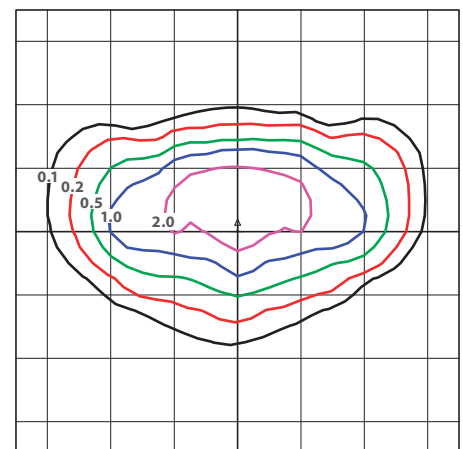


Accepts  
1-1/4" - 2-3/8" O.D.  
Tenon or Pipe



(2) 5-16" Stainless Steel Bolts

### PHOTOMETRICS (See Complete IES File)



Horizontal Footcandles  
Scale: 1 Hash = 20 Ft.  
Light Loss Factor = 1.00  
Total Lamp Lumens = 6292.1  
Mounting Height = 25.00 Ft., Tilt = 5 Degrees  
Maximum Calculated Value = 3.83 Fc  
Arrangement: Single

NEPTUN LIGHT, INC.  
LED-451080-UNV-850-T3A