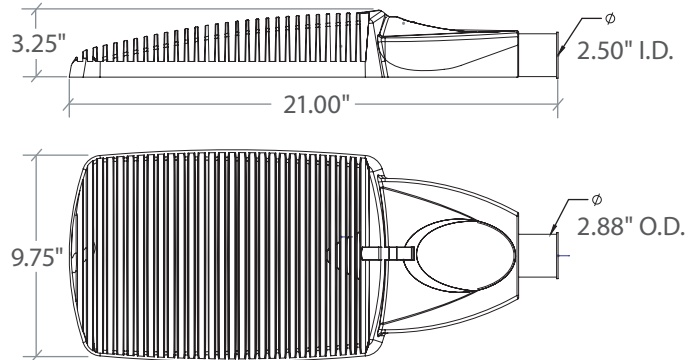




Please check latest update for complete information.
http://www.designlights.org/solidstate.about.QualifiedProductsList_Publicv2.php



Incredible **70,000 hrs**

GENERAL DESCRIPTION

Neptun's Kometa™ Mini LED Street Light fixtures combine architectural form and versatility to make it an excellent choice for new construction or retrofit applications. The Kometa fixture is offered in a variety of wattages to provide maximum flexibility in all types of applications. Custom engineered Type II & III Asymmetrical optics provide excellent uniformity and efficiency. It can replace existing HID & HPS fixtures up to 175W.

APPLICATION

- Street Lighting
- Pathway Lighting
- Parking Lot Lighting
- Security Lighting
- Storage Area Lighting

STRUCTURE, MATERIALS, & FEATURES

- Heavy-gauge, die-cast aluminum housing with cooling fins.
- Corrosion resistant electrocoat grey finish (custom colors available).
- Slim, state of the art, low profile design for minimum wind load resistance.
- Heat and impact resistant tempered flat glass lens. (IESNA full-cutoff)
- Toolless entry gear box for easy maintenance and installation.
- Continuous silicone gasket surrounds lens for IP66 weather tight seal.
- Optional NEMA Twistlock Photocell for increased energy savings.
- Correlated Color Temperature of (5000°K) for greater visibility and safety.
- High Output Cree LED's.
- High power factor, low THD driver.
- InstantON flicker-free Cold Start and Hot Re-Start.
- Up to 15 years Maintenance free operation.
- 5 Year Warranty on complete fixture. (LED's, Driver, & Housing)
- **Optional:** 0-10V Dimming, Remote Monitoring and ON/ OFF Control, DC 24V Operation - Solar Compatible

ORDERING INFORMATION

Sample Number: LED-451040-UNV-0-10VDIM-850-T2A-LD-GRY
 Custom options and accessories available. Please consult factory

Series	Wattage	Voltage	Options	CCT	Optics	Accessories	Color
LED-451 = Street Light	040 = 40 W 050 = 50 W 060 = 60 W 070 = 70 W 080 = 80 W	UNV = 120-277 VAC 347V = 347VAC 480V = 480VAC 24VDC = 24VDC	0-10VDIM = 0-10V Dimming	835 = 3500°K 841 = 4100°K 850 = 5000°K* * Standard	T2A = Type II Asymmetrical T3A = Type III Asymmetrical	LD = Light Sensor/Photocell NEMA Twistlock	GRY = Grey



PRODUCT INFORMATION

Model No.	Description	Rated Watts	Input Watts	Initial Lumens	Universal Line Voltage (VAC)	Max Line Current (Amp) 120 - 277	THD	Power Factor	Weight
LED-451040-UNV	LED Street Light Fixture	40	42	3,800	120-277	0.34 - 0.15	<20%	>0.98	25 lbs
LED-451050-UNV	LED Street Light Fixture	50	52	4,500	120-277	0.43 - 0.18	<20%	>0.98	25 lbs
LED-451060-UNV	LED Street Light Fixture	60	62	5,300	120-277	0.52 - 0.22	<20%	>0.98	25 lbs
LED-451070-UNV	LED Street Light Fixture	70	72	5,900	120-277	0.61 - 0.26	<20%	>0.98	25 lbs
LED-451080-UNV	LED Street Light Fixture	80	82	6,400	120-277	0.69 - 0.30	<20%	>0.98	25 lbs

SPECIFICATIONS

- LED Driver Constant Current
- Power Supply 350mA
- Start Method InstantON
- Hot Re-start InstantON
- Universal Input Line Voltage 120-277 VAC
- Input Line Frequency 50/60 Hz
- Ballast Off-State Draw 0 Watts
- Sound Rating Class A
- ANSI Surge Protection Class A
- LED / Driver System Life 70,000 Hrs.
- Lumen Maintenance @50,000Hrs > 70%
- Color Temperature 5,000°K
- Color Rendering Index (CRI) > 80
- Minimum Starting Temperature -40°C
- Maximum Starting Temperature 50°C
- Lumens per Watt > 80
- Shock / Vibration Resistant Yes
- Power Factor > 0.98
- Total Harmonic Distortion < 20%
- Inrush Current Peak < 10 Amp
- ETL Listed / UL Standard 1598 Yes
- FCC Compliance Part 18, Subp. C
- EPA Rating 0.71
- Housing IP Rating IP66
- Optics IP Rating IP66
- Warranty 5 Year

MOUNTING OPTIONS



Accepts
1-1/4" - 2-3/8" O.D.
Tenon or Pipe

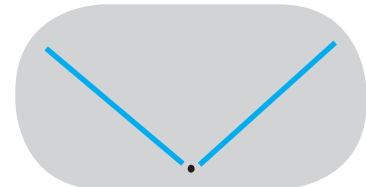


(2) 5-16" Stainless Steel Bolts

PHOTOMETRICS (See Complete IES File)



TYPE II ASYMMETRICAL



TYPE III ASYMMETRICAL