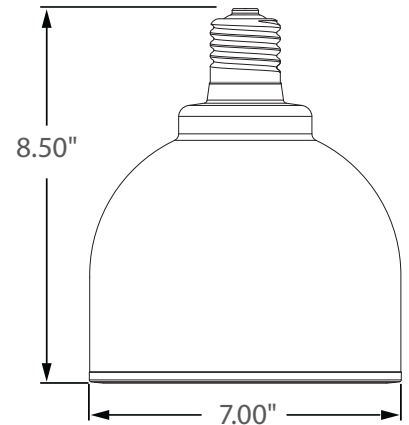




Operates on
120V or 277VAC



Incredible **70,000** hrs

GENERAL DESCRIPTION

Neptun's LED PAR56 retrofit lamps are designed for the replacement of existing HID down lighting systems. The LED-956 series lamps are offered in a variety of color temperatures and wattages for flexibility in all types of applications. The narrow beam spread allows for great light distribution in high ceilings and hard to access applications, which greatly reduces maintenance costs. It can replace existing HID downlights up to 175W.

APPLICATION

- High Ceiling Down Lighting
- Atrium Lighting
- Canopy Lighting
- Church Lighting

STRUCTURE, MATERIALS, & FEATURES

- Aluminum cast heat sink for excellent thermal management.
- Mogul (E40) base socket allows for easy installation.
- Correlated Color Temperatures of 3000°K, 4100°K, & 5000°K.
- Mercury free design.
- No radiated EMI interference.
- 36 PCS High Output LED's.
- 25° Beam Spread.
- High power factor, low THD internal driver.
- InstantON flicker-free Cold Start and Hot Re-Start.
- Up to 15 years Maintenance free operation.
- 5 Year Warranty.

ORDERING INFORMATION

Sample Number: LED-956050-UNV-750-E40
Custom options and accessories available. Please consult factory

Source	Series	Wattage	Voltage	Color Temp	Base
LED = LED	956 = PAR56	030 = 30 W 035 = 35 W 040 = 40 W 045 = 45 W 050 = 50 W	UNV = 120-277 VAC	730 = 3000°K 741 = 4100°K 750 = 5000°K	E26A = Medium Base Adapter* E40 = Mogul Base * Mogul to Medium base extender



PRODUCT INFORMATION

Model No.	Description	Rated Watts	Input Watts	Initial Lumens	Universal Line Voltage (VAC)	Max Line Current (Amp) @ 120 - 277	THD	Power Factor	Weight
LED-95630-UNV	PAR56 Retrofit Lamp	30	31	2,460	120-277	0.26 - 0.11	<15%	>0.95	3 lbs
LED-95635-UNV	PAR56 Retrofit Lamp	35	36	2,870	120-277	0.30 - 0.13	<15%	>0.95	3 lbs
LED-95640-UNV	PAR56 Retrofit Lamp	40	41	3,280	120-277	0.34 - 0.15	<15%	>0.95	3 lbs
LED-95645-UNV	PAR56 Retrofit Lamp	45	46	3,690	120-277	0.39 - 0.17	<15%	>0.95	3 lbs
LED-95650-UNV	PAR56 Retrofit Lamp	50	51	4,100	120-277	0.43 - 0.18	<15%	>0.95	3 lbs

SPECIFICATIONS

- LED Driver Constant Current
- Power Supply 350mA
- Start Method InstantON
- Hot Re-start InstantON
- Universal Input Line Voltage 120-277 VAC
- Input Line Frequency 50/60 Hz
- Driver Off-State Draw 0 Watts
- Sound Rating Class A
- ANSI Surge Protection Class A
- LED / Driver System Life 70,000 Hrs.
- Lumen Maintenance @50,000Hrs > 70%
- Color Temperature 3000°K, 4100°K, 5000°K
- Color Rendering Index (CRI) > 70
- Beam Spread 25°
- Minimum Starting Temperature -35°C
- Maximum Starting Temperature 40°C
- Lumens per Watt > 80
- Power Factor > 0.95
- Total Harmonic Distortion < 15%
- Inrush Current Peak < 10 Amp
- ETL Listed / UL Standard 1598 Yes
- FCC Compliance Part 18, Subp. C
- Warranty 5 Year

RECOMMENDED APPLICATION FIXTURES



- Existing opening must be at least 8" in diameter
- Excellent replacement for high ceiling applications



**(E26A) IOP-E40-E26-EXTENDER
Mogul to Medium Base Adapter**

* Contact Factory for Application Verification.