

Incredible **70,000 hrs**

GENERAL DESCRIPTION

Neptun's LED post top fixture features a traditional decorative style to make it an excellent choice for new construction or retrofit applications. The 90 series offers excellent illumination and uniformity. The cut-off hood allows for use in Dark Sky applications. It can replace existing HID & HPS fixtures up to 250W.

APPLICATION

- Street Lighting
- Parking Lot Lighting
- Security Lighting
- Decorative Post-Top Lighting
- Area Lighting
- Walkway Lighting

STRUCTURE, MATERIALS, & FEATURES

- Fiberglass reinforced composite housing for excellent durability and strength.
- High Efficiency, heat and impact resistant, UV protected, non-yellowing polycarbonate refractor.
- Corrosion resistant electrocoat black finish (custom colors available).
- 3" I.D. Slip Fitter Accepts up to 2-7/8" Pipe or Tenon. (hardware included)
- Continuous silicone gasket surrounds lens for weather - tight seal.
- Supplied with 360° LED self- ballasted lamp.
- High power factor, low THD driver.
- Instant-On flicker-free Cold Start and Hot Re-Start.
- High quality glare-free light with high CRI above (83).
- Bright white light (5000°K) for greater visibility and safety.
- Advance phosphors for high lumen output and high lumen maintenance.
- Up to 15 year maintenance free operation.
- 5 Year Warranty.

ORDERING INFORMATION

Sample Number: LED-90020-UNV-750-BLK
 Custom options and accessories available. Please consult factory

Source	Series	Lamp Wattage	Voltage	Color Temp	Color
LED = LED	90 = Acorn / Post Top	020 = 20 W 025 = 25 W 040 = 40 W 060 = 60 W 080 = 80 W	UNV = 120-277 VAC	730 = 3000°K 741 = 4100°K 750 = 5000°K	BLK = Black * Custom Colors Available



PRODUCT INFORMATION

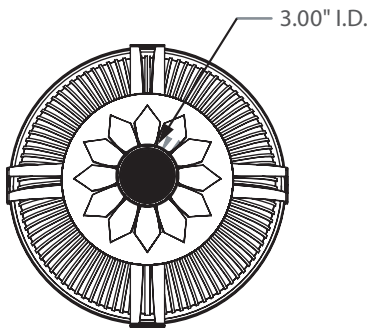
Model No.	Description	Rated Watts	Input Watts	Initial Lumens	Universal Line Voltage (VAC)	Max Line Current (Amp) @ 120 - 277	THD	Power Factor	Weight
LED-90020-UNV	LED Post-Top Acorn Fixture	20	21	1,700	120-277	0.17 - 0.07	<15%	>0.98	25 lbs
LED-90025-UNV	LED Post-Top Acorn Fixture	25	26	2,275	120-277	0.21 - 0.09	<15%	>0.98	25 lbs
LED-90040-UNV	LED Post-Top Acorn Fixture	40	42	3,600	120-277	0.34 - 0.15	<15%	>0.98	25 lbs
LED-90060-UNV	LED Post-Top Acorn Fixture	60	62	4,800	120-277	0.52 - 0.22	<15%	>0.98	25 lbs
LED-90080-UNV	LED Post-Top Acorn Fixture	80	82	6,400	120-277	0.69 - 0.30	<15%	>0.98	25 lbs

SPECIFICATIONS

- LED Driver Constant Current
- Power Supply 350mA
- Start Method InstantON
- Hot Re-start InstantON
- Universal Input Line Voltage 120-277 VAC
- Input Line Frequency 50/60 Hz
- Ballast Off-State Draw 0 Watts
- Sound Rating Class A
- ANSI Surge Protection Class A
- LED / Driver System Life 70,000 Hrs.
- Lumen Maintenance @50,000Hrs > 70%
- Color Temperature 3000°K, 4100°K 5000°K
- Color Rendering Index (CRI) > 70
- Minimum Starting Temperature -40°C
- Maximum Starting Temperature 50°C
- Lumens per Watt > 75
- Shock / Vibration Resistant Yes
- Power Factor > 0.98
- Total Harmonic Distortion < 15%
- Inrush Current Peak < 10 Amp
- ETL Listed / UL Standard 1598 Yes
- FCC Compliance Part 18, Subp. C
- IP Rating IP65
- Warranty 5 Year

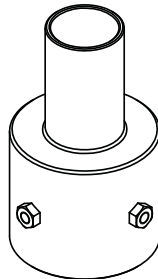
MOUNTING OPTIONS

SLIP-FIT MOUNT



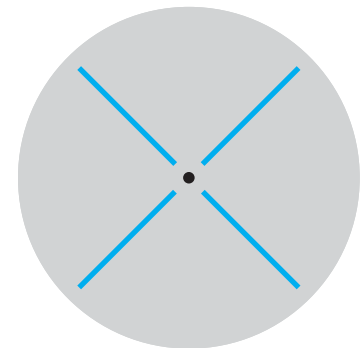
Accepts up to 2-7/8" O.D.
Round Tenon or Pole

IOP-RPTR (contact factory)



Round Pole Tenon Reducers
available for 3", 4", & 5" O.D. Poles

PHOTOMETRICS (See Complete IES File)



Type V Distribution