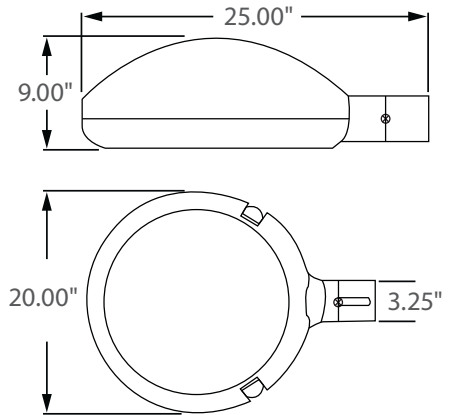




Please check latest update for complete information.
http://www.designlights.org/solidstate.about.QualifiedProductsList_Publicv2.php



Incredible **75,000 hrs**

GENERAL DESCRIPTION

Neptun's LED parking lot fixtures combine architectural form and versatility to make it an excellent choice for new construction or retrofit applications. The 47 series fixture is offered in a variety of wattages to provide maximum flexibility in all types of applications. The 120 PCS High output LED's and custom engineered optics provide excellent uniformity and efficiency. It can replace existing HID & HPS fixtures up to 300W

APPLICATION

- Parking Lot Lighting
- Street Lighting
- Walkway Lighting
- Area Lighting
- Security Lighting
- Storage Area Lighting

STRUCTURE, MATERIALS, & FEATURES

- Heavy-gauge, die-cast aluminum housing.
- Corrosion resistant electrocoat dark bronze finish (custom colors available).
- Slim, state of the art, low profile design for minimum wind load resistance.
- Heat and impact resistant sealed glass lens.
- Toolless entry gear box for easy maintenance and installation.
- Continuous silicone gasket surrounds lens for weather tight seal.
- Correlated Color Temperature of (5000°K) for greater visibility and safety.
- High Output COB Cree LED's.
- High power factor, low THD driver.
- InstantON flicker-free Cold Start and Hot Re-Start.
- Up to 15 years Maintenance free operation.
- 10 Year Warranty on complete fixture. (LED's, Driver, & Housing)
- **Optional:** 0-10V Dimming, Remote Monitoring and ON/OFF Control, DC 24V Operation - Solar Compatible

ORDERING INFORMATION

Sample Number: LED-47100-UNV-0-10VDIM-SF-850-BRZ
 Custom options and accessories available. Please consult factory

Series	Wattage	Voltage	Options	Mounting	CCT	Color
LED-47 = Area Fixture	100 = 100 W 120 = 120 W 150 = 150 W	UNV = 120-277 VAC 347V = 347VAC 480V = 480VAC 24VDC = 24VDC	0-10VDIM = 0-10V Dimming	SF = Slip Fitter* SPA = Square Pole Adapter * Standard ** See Pg. 2 for mounting	835 = 3500°K 841 = 4100°K 850 = 5000°K * * Standard	BRZ = Dark Bronze * Custom Colors Available



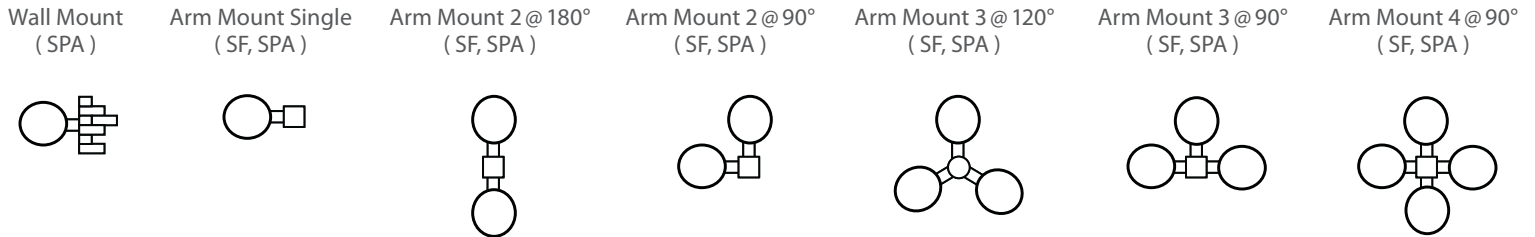
PRODUCT INFORMATION

Model No.	Description	Rated Watts	Input Watts	Initial Lumens	Universal Line Voltage (VAC)	Max Line Current (Amp) @ 120 - 277	THD	Power Factor	Weight
LED-47100-UNV	LED Parking Lot Fixture	100	102	9,690	120-277	0.87 - 0.37	<20%	>0.98	30 lbs
LED-47120-UNV	LED Parking Lot Fixture	120	122	11,590	120-277	1.05 - 0.45	<20%	>0.98	30 lbs
LED-47150-UNV	LED Parking Lot Fixture	150	152	14,440	120-277	1.31 - 0.56	<20%	>0.98	30 lbs

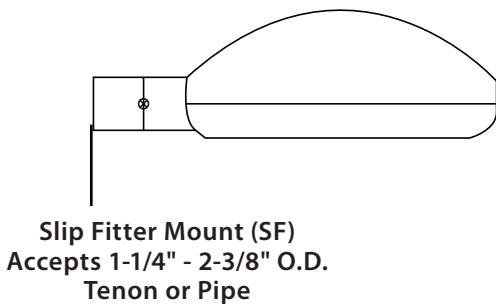
SPECIFICATIONS

- LED Driver Constant Current
- Power Supply 350mA
- Start Method InstantON
- Hot Re-start InstantON
- Universal Input Line Voltage 120-277 VAC
- Input Line Frequency 50/60 Hz
- Ballast Off-State Draw 0 Watts
- Sound Rating Class A
- ANSI Surge Protection Class A
- LED / Driver System Life 75,000 Hrs.
- Lumen Maintenance @50,000Hrs > 70%
- Color Temperature 5,000°K
- Color Rendering Index (CRI) > 80
- Minimum Starting Temperature -35°C
- Maximum Starting Temperature 50°C
- Lumens per Watt > 95
- Shock / Vibration Resistant Yes
- Power Factor > 0.98
- Total Harmonic Distortion < 20%
- Inrush Current Peak < 10 Amp
- ETL Listed / UL Standard 1598 Yes
- FCC Compliance Part 18, Subp. C
- EPA Rating 1.0
- Optics IP Rating IP68
- Optics IP Rating IP67
- Warranty 10 Year

MOUNTING CONFIGURATION



MOUNTING OPTIONS



PHOTOMETRICS (See Complete IES File)

