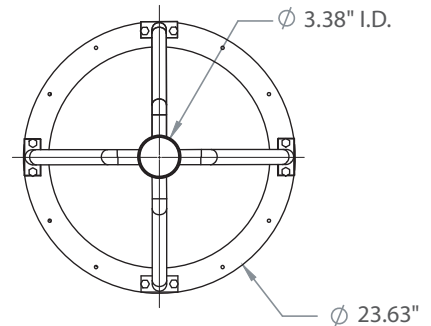
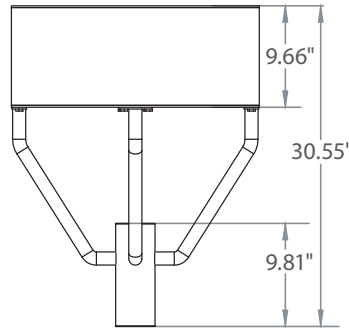




**\*\* AVAILABLE \*\***

**Bi-Level Dimming**  
100% 50%

**0 - 10V**  
FULL DIMMING



Incredible **75,000 hrs**

### GENERAL DESCRIPTION

Neptun's 24" LED Round Post-Top fixture combines classic form and versatility to make it an excellent choice for new construction or retrofit applications. The LED-58 series post-top fixture is offered in a variety of wattages to provide maximum flexibility in all types of applications. It can replace existing HID & HPS fixtures up to 1000W.

### APPLICATION

- Parking Lot Lighting
- Car Lot Lighting
- Area & Storage Lighting
- Street Lighting
- Walkway Lighting

### STRUCTURE, MATERIALS, & FEATURES

- Heavy-gauge, stainless steel housing.
- 3.38" I.D. Slip Fitter Accepts up to 3.00" Pipe or Tenon.
- Corrosion resistant electrocoat dark bronze finish. (custom colors available)
- Post-top mounting system incorporates stainless steel hardware.
- Correlated Color Temperature of (5000°K) for greater visibility and safety.
- High Output COB LED's.
- Driver with built in Neptun Surge Protective Device (NSPD) provides single phase protection for Line/Neutral, Line/Ground, and Neutral/Ground in accordance with IEEE C62.41 C High (10kV & 10kA).
- InstantON flicker-free Cold Start and Hot Re-Start.
- Up to 15 years Maintenance free operation.
- 10 Year Warranty on complete fixture. (LED's, Driver, & Housing)
- **Optional:** Bi-Level Dimming, 0-10V Dimming, Wi-Fi Control, Remote Monitoring and ON/ OFF Control

### ORDERING INFORMATION

Sample Number: LED-59180-UNV-0-10VDIM-850-LD-BRZ  
Custom options and accessories available. Please consult factory

| Series                  | Wattage  | Voltage   | Options   | Color Temp   | Accessories   | Color                                     |
|-------------------------|--|---|---|--|---|---|
| LED-58 = Round Post-Top | 180 = 180 W<br>200 = 200 W<br>260 = 260 W<br>320 = 320 W | UNV = 120-277 VAC<br>347V = 347 VAC<br>480V = 480 VAC | 0-10VDIM = 0-10V Dimming<br>BL-DIM = Bi-Level Dimming *<br>* Includes Motion Sensor<br>** Contact Factory for dimming options | 835 = 3500°K<br>841 = 4100°K<br>850 = 5000°K *<br>* Standard | LD = Twist-Lock Photocell<br>MD = Motion Sensor ON/OFF<br>LGN = Light Genie Node **<br>** Contact Factory for product information | BRZ = Bronze<br>* Custom Colors Available |



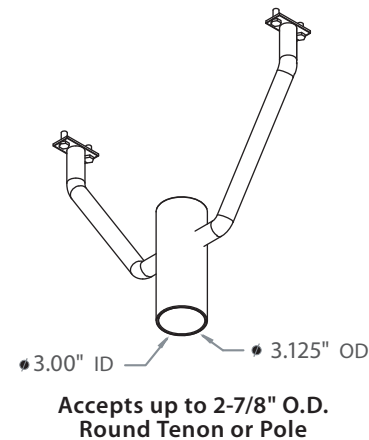
### PRODUCT INFORMATION

| Model No.     | Description            | Rated Watts | Input Watts | Initial Lumens | Universal Line Voltage (VAC) | Max Line Current (Amp) @ 120 - 277 | THD  | Power Factor | Weight |
|---------------|------------------------|-------------|-------------|----------------|------------------------------|------------------------------------|------|--------------|--------|
| LED-58180-UNV | Round Post Top Fixture | 180         | 185         | 16,200         | 120-277                      | 1.57 - 0.68                        | <20% | >0.90        | 65 lbs |
| LED-58200-UNV | Round Post Top Fixture | 200         | 205         | 18,000         | 120-277                      | 1.74 - 0.75                        | <20% | >0.90        | 65 lbs |
| LED-58260-UNV | Round Post Top Fixture | 260         | 265         | 23,400         | 120-277                      | 2.29 - 0.98                        | <20% | >0.90        | 65 lbs |
| LED-58320-UNV | Round Post Top Fixture | 320         | 325         | 28,800         | 120-277                      | 2.79 - 1.21                        | <20% | >0.90        | 65 lbs |

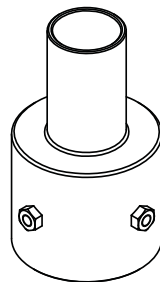
### SPECIFICATIONS

- Driver ..... Constant Current
- Start Method ..... InstantON
- Hot Re-start ..... InstantON
- Power Supply ..... 350mA
- Driver UL Rating ..... Class 1
- Driver UL Outdoor Rated ..... Wet Location
- Sound Rating ..... Class A
- ANSI Surge Protection ..... IEEE C62.41 C High
- Current Crest Factor ..... 1.5 maximum
- Load Regulation: 5% output current variation across load range
- Line Regulation: 1% output voltage variation across voltage range
- Driver Off-State Draw ..... 0 Watts
- Vibration Compliance ..... 3G
- Universal Input Line Voltage ..... 120-277 VAC
- Input Line Frequency ..... 50/60 Hz
- LED / Driver System Life ..... 75,000 Hrs.
- Lumen Maintenance @50,000Hrs ..... > 70%
- Color Temperature ..... 5,000°K
- Color Rendering Index (CRI) ..... > 80
- Minimum Starting Temperature ..... -40°C
- Maximum Starting Temperature ..... +50°C
- Lumens per Watt ..... > 90
- Shock / Vibration Resistant ..... Yes
- Power Factor ..... > 0.90
- Total Harmonic Distortion ..... < 20%
- Inrush Current Peak ..... < 10 Amp
- FCC Compliance ..... Part 15, Subp. C
- EPA Rating ..... 1.66 ft.<sup>2</sup>
- Driver IP Rating ..... IP67
- Optics IP Rating ..... IP68
- Warranty ..... 10 Year

### MOUNTING OPTIONS

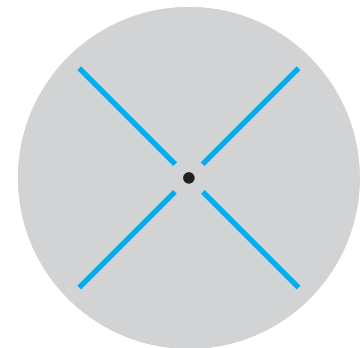


IOP-RPTR (contact factory)



Round Pole Tenon Reducers available for 3", 4", & 5" O.D. Poles

### PHOTOMETRICS (See Complete IES File)



Type V Distribution

Neptun Light, Inc.  
13950 Business Center Drive  
Lake Forest, IL 60045  
Fax: 847.735.8004

Neptun Light, Inc. reserves the right to change materials or modify the design of its product without notification as part of the company's continuing product improvement program.  
©2002-2013 Neptun Light, Inc. All rights reserved.

Spec. Rev. 1-2015