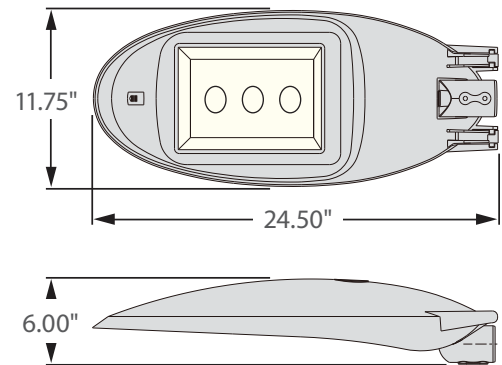




**** AVAILABLE ****

Bi-Level Dimming
100% 50%

0 - 10V
FULL DIMMING



Incredible **75,000 hrs**

GENERAL DESCRIPTION

Neptun's LED street light fixtures combine architectural form and versatility to make it an excellent choice for new construction or retrofit applications. The LED-882 series fixture is offered in a variety of wattages to provide maximum flexibility in all types of applications. The High output LED's and custom engineered optics provide excellent uniformity and efficiency. It can replace existing HID & HPS Street Light fixtures up to 250W.

APPLICATION

- Street Lighting
- Walkway Lighting
- Area Lighting
- Security Lighting

STRUCTURE, MATERIALS, & FEATURES

- Heavy-gauge, die-cast aluminum housing with concealed cooling fins.
- Corrosion resistant electrocoat finish (custom colors available).
- Slim, state of the art, low profile design for minimum wind load resistance.
- Heat and impact resistant tempered flat glass lens. (IESNA full-cutoff)
- Continuous silicone gasket surrounds lens for IP68 weather tight seal.
- Optional NEMA Twistlock Photocell for increased energy savings.
- Tool-Less entry housing for easy maintenance and installation.
- High Output COB LED's.
- Driver with built in Neptun Surge Protective Device (NSPD) provides single phase protection for Line/Neutral, Line/Ground, and Neutral/Ground in accordance with IEEE C62.41 C High (10kV & 10kA).
- InstantON flicker-free Cold Start and Hot Re-Start.
- Up to 15 years Maintenance free operation.
- 10 Year Warranty on complete fixture. (LED's, Driver, & Housing)
- **Optional:** 0-10V Dimming, Bi-Level Dimming, Wi-Fi Control, Remote Monitoring and ON/ OFF Control, DC 24V Operation - Solar Compatible

ORDERING INFORMATION

Sample Number: LED-882070-L3-UNV-0-10VDIM-850-LD-GRY
Custom options and accessories available. Please consult factory

Series	Wattage	Voltage	Options	Color Temp	Accessories	Color
LED-882 = Street Light	070-L3 = 70 W 080-L3 = 80 W 090-L3 = 90 W	UNV = 120-277 VAC 347V = 347 VAC 480V = 480 VAC 24VDC = 24 VDC	0-10VDIM = 0-10V Dimming BL-DIM = Bi-Level Dimming * * Includes Motion Sensor ** Contact factory for dimming options	835 = 3500°K 841 = 4100°K 850 = 5000°K * * Standard	LD = Light Sensor/Photocell NEMA Twistlock MD = Motion Sensor ON/OFF LGN = Light Genie Node ** ** Contact factory for product Information	GRY = Grey BRZ = Bronze * Custom Colors Available



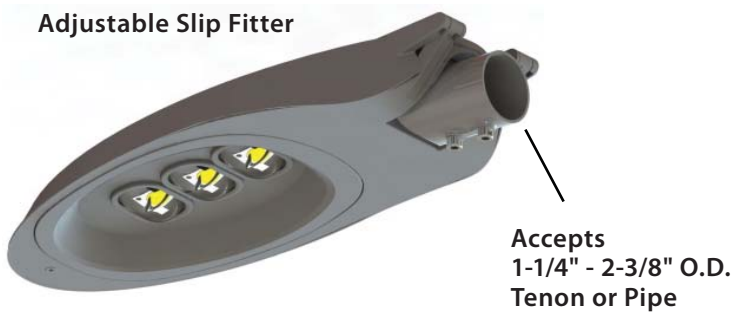
PRODUCT INFORMATION

Model No.	Description	Rated Watts	Input Watts	Initial Lumens	Universal Line Voltage (VAC)	Max Line Current (Amp) 120 - 277	THD	Power Factor	Weight
LED-882070-L3-UNV	Street Light Fixture	70	72	7,000	120-277	0.61 - 0.26	<20%	>0.90	18 lbs
LED-882080-L3-UNV	Street Light Fixture	80	82	8,000	120-277	0.69 - 0.30	<20%	>0.90	18 lbs
LED-882090-L3-UNV	Street Light Fixture	90	92	9,000	120-277	0.78 - 0.34	<20%	>0.90	18 lbs

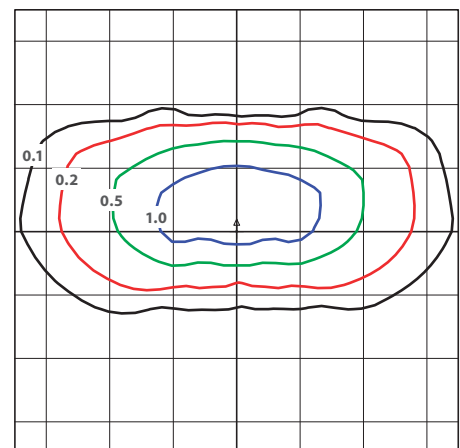
SPECIFICATIONS

- Driver Constant Current
- Start Method InstantON
- Hot Re-start InstantON
- Power Supply 350mA
- Driver UL Rating Class 1
- Driver UL Outdoor Rated Wet Location
- Sound Rating Class A
- ANSI Surge Protection IEEE C62.41 C High
- Current Crest Factor 1.5 maximum
- Load Regulation: 5% output current variation across load range
- Line Regulation: 1% output voltage variation across voltage range
- Driver Off-State Draw 0 Watts
- Vibration Compliance 3G
- Universal Input Line Voltage 120-277 VAC
- Input Line Frequency 50/60 Hz
- LED / Driver System Life 75,000 Hrs.
- Lumen Maintenance @50,000Hrs > 70%
- Color Temperature 5,000°K
- Color Rendering Index (CRI) > 80
- Minimum Starting Temperature -40°C
- Maximum Starting Temperature +50°C
- Lumens per Watt > 90
- Shock / Vibration Resistant Yes
- Power Factor > 0.90
- Total Harmonic Distortion < 20%
- Inrush Current Peak < 10 Amp
- FCC Compliance Part 15, Subp. C
- EPA Rating 1.00 ft.²
- Housing IP Rating IP65
- Driver IP Rating IP67
- Optics IP Rating IP68
- Warranty 10 Year

MOUNTING OPTIONS



PHOTOMETRICS (See Complete IES File)



Horizontal Footcandles
Scale: 1 Hash = 30 Ft.
Light Loss Factor = 1.00
Total Lamp Lumens = 9266
Mounting Height = 30.00 Ft., Tilt = 5 Degrees
Maximum Calculated Value = 1.50 Fc
Arrangement: Single

NEPTUN LIGHT, INC.
LED-882090-L3-UNV-850