



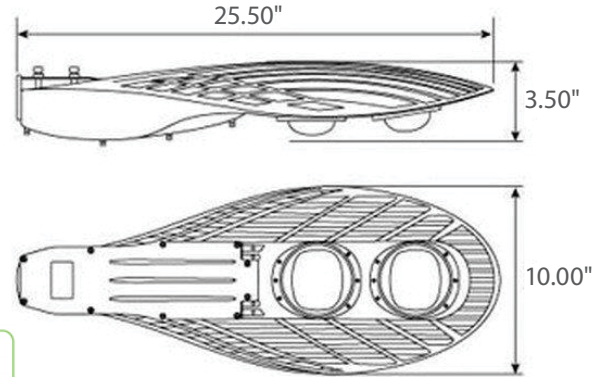
Please check latest update for complete information.
http://www.designlights.org/solidstate.about.QualifiedProductsList_Publicv2.php



**** AVAILABLE ****

Bi-Level Dimming
 100% 50%

0 - 10V
 FULL DIMMING



Incredible **75,000 hrs**

GENERAL DESCRIPTION

Neptun's Street Light fixtures combine architectural form and versatility to make it an excellent choice for new construction or retrofit applications. The LED-81-L2 series fixture is offered in a variety of wattages to provide maximum flexibility in all types of applications. Custom engineered Type III Asymmetrical optics provide excellent uniformity and efficiency. It can replace existing HID & HPS fixtures up to 250W.

APPLICATION

- Street Lighting
- Pathway Lighting
- Parking Lot Lighting
- Security Lighting
- Storage Area Lighting

STRUCTURE, MATERIALS, & FEATURES

- Heavy-gauge, die-cast aluminum housing with webbed cooling design.
- Corrosion resistant electrocoat grey finish (custom colors available).
- Slim, state of the art, low profile design for minimum wind load resistance.
- Continuous silicone gasket surrounds lens for IP68 weather tight seal.
- Correlated Color Temperature of (5000°K) for greater visibility and safety.
- 2 COB High Output LED's.
- Driver with built in Neptun Surge Protective Device (NSPD) provides single phase protection for Line/Neutral, Line/Ground, and Neutral/Ground in accordance with IEEE C62.41 C High (10kV & 10kA).
- InstantON flicker-free Cold Start and Hot Re-Start.
- Up to 15 years Maintenance free operation.
- 10 Year Warranty on complete fixture. (LED's, Driver, & Housing)
- **Optional:** 0-10V Dimming, Bi-Level Dimming, Wi-Fi Control, Remote Monitoring and ON/ OFF Control, DC 24V Operation - Solar Compatible

ORDERING INFORMATION

Sample Number: LED-81100-L2-UNV-0-10VDIM-850-LD-GRY
 Custom options and accessories available. Please consult factory

Series	Wattage	Voltage	Options	Color Temp	Accessories	Color
LED-81 = Street Light	100-L2 = 100 W 120-L2 = 120 W	UNV = 120-277 VAC 347V = 347 VAC 480V = 480 VAC 24VDC = 24V DC	0-10VDIM = 0-10V Dimming BL-DIM = Bi-Level Dimming * * Includes Motion Sensor ** Contact factory for dimming options	835 = 3500°K 841 = 4100°K 850 = 5000°K * * Standard	LD = Light Sensor/Photocell NEMA Twistlock MD = Motion Sensor ON/OFF LGN = Light Genie Node ** ** Contact factory for product Information	GRY = Grey * Custom Colors Available



PRODUCT INFORMATION

Model No.	Description	Rated Watts	Input Watts	Initial Lumens	Universal Line Voltage (VAC)	Max Line Current (Amp) 120 - 277	THD	Power Factor	Weight
LED-81100-L2-UNV	LED Street Light Fixture	100	102	11,000	120-277	0.87 - 0.37	<20%	>0.90	16 lbs
LED-81120-L2-UNV	LED Street Light Fixture	120	122	13,200	120-277	1.05 - 0.45	<20%	>0.90	16 lbs

SPECIFICATIONS

- Driver Constant Current
- Start Method InstantON
- Hot Re-start InstantON
- Power Supply 350mA
- Driver UL Rating Class 1
- Driver UL Outdoor Rated Wet Location
- Sound Rating Class A
- ANSI Surge Protection IEEE C62.41 C High
- Current Crest Factor 1.5 maximum
- Load Regulation: 5% output current variation across load range
- Line Regulation: 1% output voltage variation across voltage range
- Driver Off-State Draw 0 Watts
- Vibration Compliance 3G
- Universal Input Line Voltage 120-277 VAC
- Input Line Frequency 50/60 Hz
- LED / Driver System Life 75,000 Hrs.
- Lumen Maintenance @50,000Hrs > 70%
- Color Temperature 5,000°K
- Color Rendering Index (CRI) > 80
- Minimum Starting Temperature -40°C
- Maximum Starting Temperature +50°C
- Lumens per Watt > 90
- Shock / Vibration Resistant Yes
- Power Factor > 0.90
- Total Harmonic Distortion < 20%
- Inrush Current Peak < 10 Amp
- FCC Compliance Part 15, Subp. C
- ETL Listed / UL Standard 1598 Yes
- EPA Rating 0.61 ft.²
- Housing IP Rating IP65
- Driver IP Rating IP67
- Optics IP Rating IP68
- Warranty 10 Year

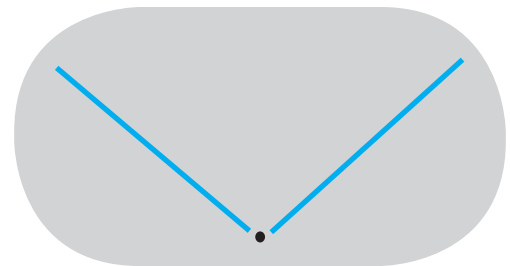
MOUNTING OPTIONS



(2) 5-16" Stainless Steel Hex-head Bolts

Accepts 1" - 2" O.D. Tenon or Pipe

PHOTOMETRICS (See Complete IES File)



TYPE III ASYMMETRICAL