

Private LED SHOEBOX AREA Luminaire

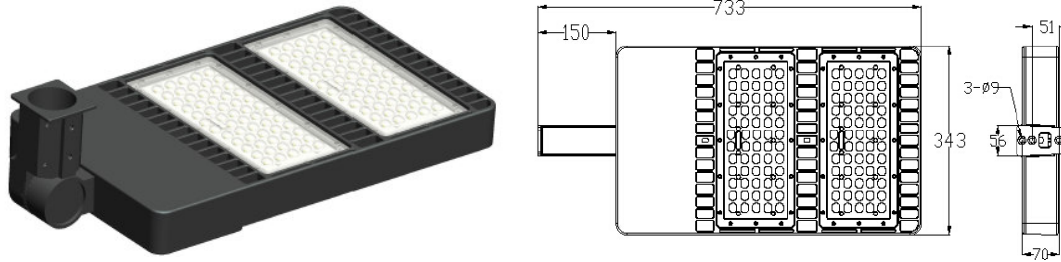


Project Information

Type	_____
Name	_____
Voltage	_____

Product Description

LED SION private shoebox led luminaire has a beautiful low profile design intended for outdoor wall mounted applications, combines the latest in LED technology including weathertight IP65 LED driver and thermal management. high-performance illumination that lasts 100,000HRS
 Its ideal for replacing 150-1000W metal halide, with typical energy savings of 80%.



Performance Summary

SAMSUNG LED SOURCE, BEST MEANWELL DRIVER
 CRI: Minimum 75RA.
 CCT: 4000K, 5000K,(+/- 300K)
 Limited Warranty: 5 years on luminaire

Applications:

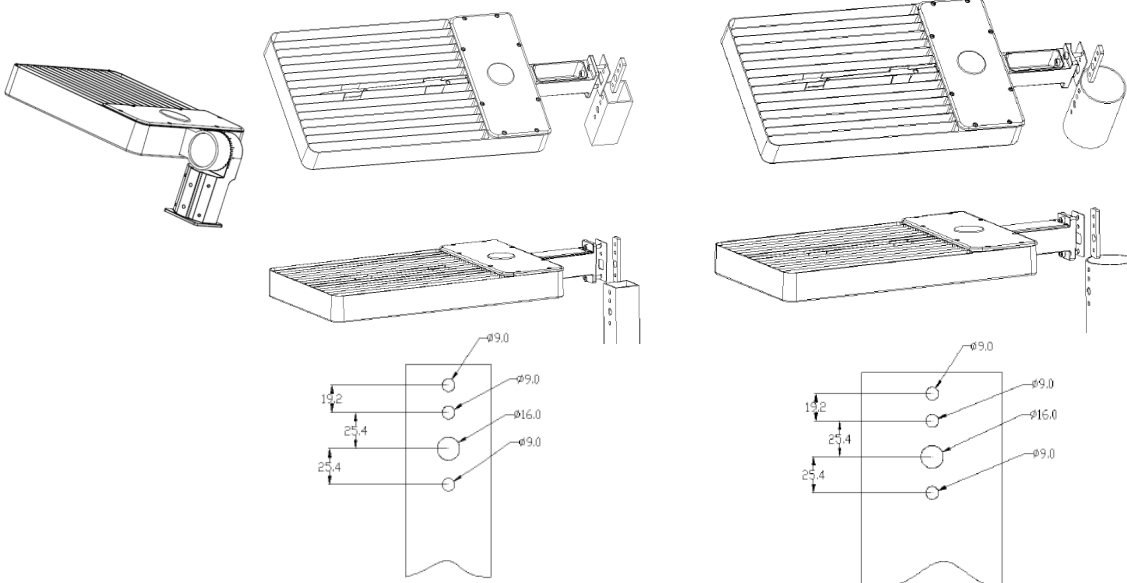
General area and security lighting

Ordering Information

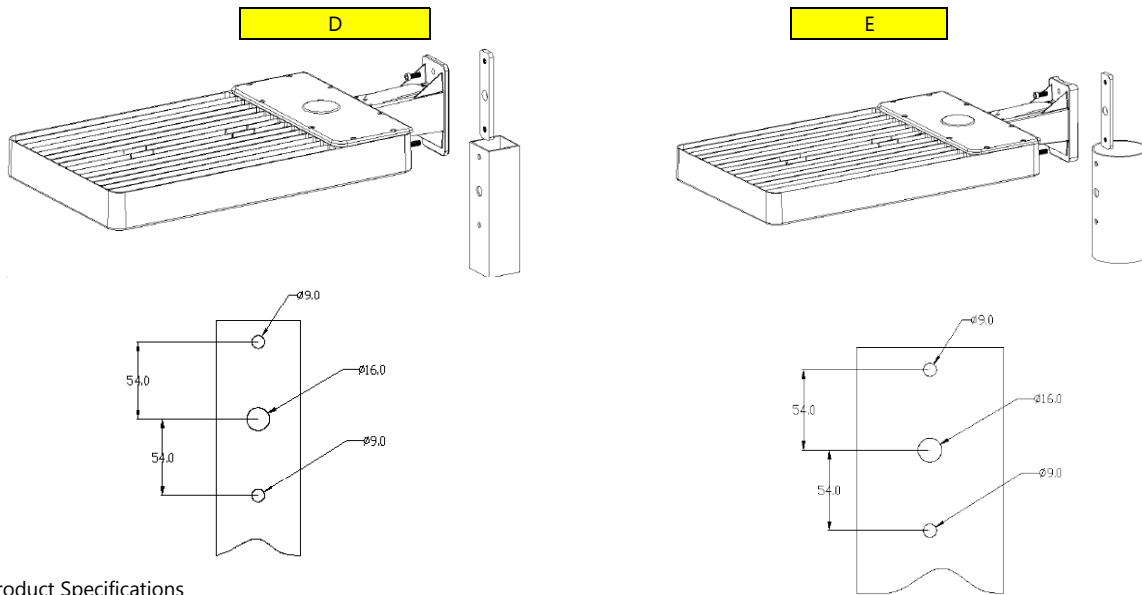
Example: LSPSB100W-40K-N-U-T-A

Product	Power	Color Temperature	Photocell	Voltage	Furnish	Head connector
LSPSB	100W 1 module	40K 4000K	N not photocell	U 120-277V	T-Black	A: see below
	120W 1 module	50K 5000K	Y with photocell	HV 347V, 480V	Z-Brown	B
	150W 1 module					C
	200W 2 module					D
	240W 2 module					E
	300W 2 module					

A	B for square pole	C for round pole with dia 60-114mm
---	-------------------	------------------------------------



Private LED SHOEBOX AREA Luminaire



Product Specifications

CONSTRUCTION & MATERIALS

Aluminum heat sink behind led on the fixture, plastic module lense with over 90% light efficiency,

Electric Characteristic:

LPF: Lumen/Watt:	90-100lm/W
LIGHTING DISTRIBUTION:	TYPE IV
Working Environment Temperature:	-30~+60°C
Junction Temperature:	<75°
Ambient Humidity:	90%
Total Harmonic Distortion:	≤10%
Lamp's Efficiency:	≥90%

Lumen Output:

Power	40K 75CRI	50K 75CRI
100W	9000LM (LPW 90)	10000LM (LPW 100)
120W	10800LM (LPW 90)	12000LM (LPW 100)
150W	13500LM (LPW 90)	15000LM (LPW 100)
200W	18000LM (LPW 90)	20000LM (LPW 100)
240W	21600LM (LPW 90)	24000LM (LPW 100)
300W	27000LM (LPW 90)	30000LM (LPW 100)

Certificates:

CE: EN55015,EN61547,EN61000,EN60968,EN62471

ROHS LISTED

ETL/CETL DLC LISTED

Projected LED Lumen Maintenance

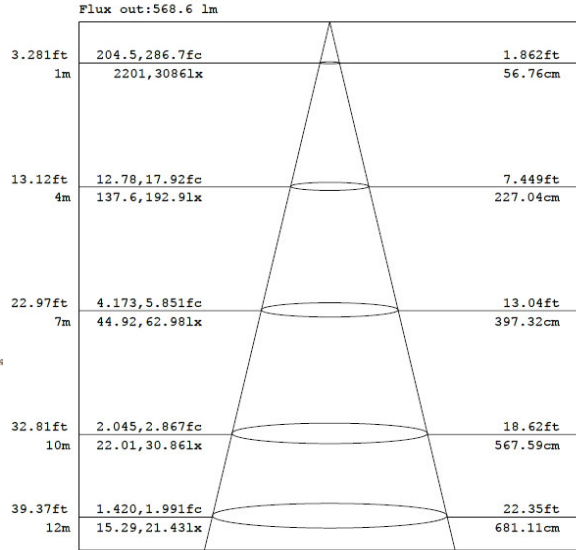
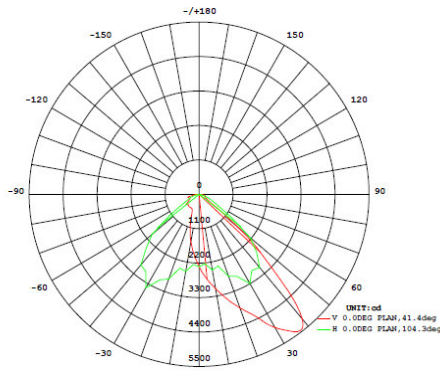
Data references the extrapolated performance projections for the SLWP LED platform in a 25°C ambient, based on 10,000 hours of LED testing (tested per IESNA LM-80-08 and projected per IESNA TM-21-11).

Operating hours	0	25000	50000	100000
Lumen maintenance factor	1	0.91	0.8	0.72

Private LED SHOEBOX AREA Luminaire

Photometric Diagrams

for complete report, contact sales representative



After Service:

The product refers to electricians knowledge. Please don't disassemble it by yourself. If any quality problem happens, please contact the factory, for warranty details, contact factory.

NOTE: Actual performance may differ as a result of end-user environment and application. All values are design or typical values, measured under laboratory conditions at 25°C. Specifications subject to change without notice.