

HIGHBAY.N



FIXTURE CODE: **HBN**

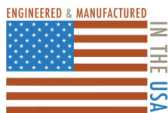
LIGHT ENGINE

- 18 LED to 378 LED available (27W - 567W)
- 2,682 lumens - 79,758 lumens
- Minimum CRI: 70; Custom CRI available upon request
- L70 Rated life of 100,000+ hours
- Operating temp: -30° C to +60° C
- No toxic chemicals/ROHS compliant
- ETL certified, meets UL and CSA standards
- Eligible for Rebates
- 50-90% energy savings
- Manufactured in the USA

WARRANTY

- 5-year manufacturer's warranty
- U.S. manufacturing and quality control

CERTIFICATIONS



APPEARANCE

BRACKETS	LENS	MOUNTING	DIFFUSION
<ul style="list-style-type: none"> • ALUMINUM • BRASS • STAINLESS STEEL • WOOD 	<ul style="list-style-type: none"> • ACRYLIC • PLEXIGLASS 	<ul style="list-style-type: none"> • HANGING • HOOK 	<ul style="list-style-type: none"> • CLEAR • FROST

FEATURES

- Customizable lighting design and applications
- Uplight and / or Downlight
- Cool White, Warm White and Neutral White Color temperatures
- RGBW light engines
- Square, rectangular and circular form factors
- Customizable brackets

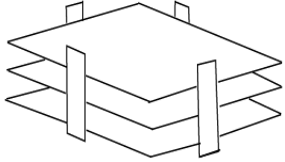
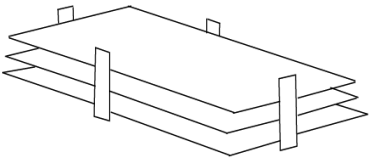
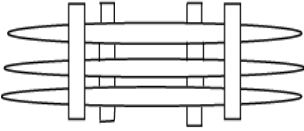
ELECTRICAL CHARACTERISTICS

- Standard AC input: 120-277 VAC
- EMI filter: 47CFR, part 2, part 15
- Power factor: >.9
- Total harmonic distortion: <20%
- Surge protection: IEC/EN 61000-4-5 EMC test standard

HIGHBAY.N

AVAILABLE FIXTURE OPTIONS



SHAPE	TYPE	ORDER CODE
	SQUARE	SQR [12"] SQR [16"] SQR [20"] SQR [24"]
	RECTANGLE	REC [12"] REC [16"] REC [20"] REC [24"]
	CIRCLE	CIR [12"] CIR [16"] CIR [20"] CIR [24"]

MOUNTING TYPE	CODE
HANGING	HG
HOOK	HK
SPECIAL ORDER	SP

LENS DIFFUSION	CODE
ACRYLIC	AC
ACRYLIC FROSTED	AF
PLEXIGLASS	PL
PLEXIGLASS FROSTED	PF
SPECIAL ORDER	SP

BRACKETS	TYPE	ORDER CODE
	ALUMINUM	BAL
	BRASS	BBR
	STAINLESS STEEL	BST
	WOOD	BWD
N/A	SPECIAL ORDER	SP

MISC. OPTIONS	CODE
EMERGENCY BATTERY BACKUP	EM
OCCUPANCY SENSOR	OS
120V TWIST LOCK PLUG	P120
240V TWIST LOCK PLUG	P240
277V TWIST LOCK PLUG	P277
480V TWIST LOCK PLUG	P480

HIGHBAY.N



AVAILABLE UPLIGHT OPTIONS

<i>UPLIGHT LIGHT ENGINE</i>	<i>COLOR TEMP</i>	<i>LUMENS</i>	<i>WATTAGE</i>	<i>ORDER CODE</i>
LIN-018	Cool White (CW), Warm White (WW), Neutral White (NW)	3,798	27	UL-LIN-018-[CT]
LIN-018	RGBW	3,798	27	UL-LIN-018-RGBW
HEX-021	Cool White (CW), Warm White (WW), Neutral White (NW)	4,431	32	UL-HEX-021-[CT]
HEX-021	RGBW	4,431	32	UL-HEX-021-RGBW
HEX-042	Cool White (CW), Warm White (WW), Neutral White (NW)	8,862	63	UL-HEX-042-[CT]
HEX-042	RGBW	8,862	63	UL-HEX-042-RGBW
HEX-063	Cool White (CW), Warm White (WW), Neutral White (NW)	13,293	95	UL-HEX-063-[CT]
HEX-063	RGBW	13,293	95	UL-HEX-063-RGBW
LIN-072	Cool White (CW), Warm White (WW), Neutral White (NW)	15,192	108	UL-LIN-072-[CT]
LIN-072	RGBW	15,192	108	UL-LIN-072-RGBW
LIN-140	Cool White (CW), Warm White (WW), Neutral White (NW)	29,540	210	UL-LIN-140-[CT]
LIN-140	RGBW	29,540	210	UL-LIN-140-RGBW
HEX-210	Cool White (CW), Warm White (WW), Neutral White (NW)	44,310	315	UL-HEX-210-[CT]
HEX-210	RGBW	44,310	315	UL-HEX-210-RGBW
HEX-252	Cool White (CW), Warm White (WW), Neutral White (NW)	53,172	378	UL-HEX-252-[CT]
HEX-252	RGBW	53,172	378	UL-HEX-252-RGBW
HEX-378	Cool White (CW), Warm White (WW), Neutral White (NW)	79,758	567	UL-HEX-378-[CT]
HEX-378	RGBW	79,758	567	UL-HEX-378-RGBW



AVAILABLE DOWNLIGHT OPTIONS

<i>DOWNLIGHT LIGHT ENGINE</i>	<i>COLOR TEMP</i>	<i>LUMENS</i>	<i>WATTAGE</i>	<i>ORDER CODE</i>
LIN-018	Cool White (CW), Warm White (WW), Neutral White (NW)	3,798	27	DL-LIN-018-[CT]
LIN-018	RGBW	3,798	27	DL-LIN-018-RGBW
HEX-021	Cool White (CW), Warm White (WW), Neutral White (NW)	4,431	32	DL-HEX-021-[CT]
HEX-021	RGBW	4,431	32	DL-HEX-021-RGBW
HEX-042	Cool White (CW), Warm White (WW), Neutral White (NW)	8,862	63	DL-HEX-042-[CT]
HEX-042	RGBW	8,862	63	DL-HEX-042-RGBW
HEX-063	Cool White (CW), Warm White (WW), Neutral White (NW)	13,293	95	DL-HEX-063-[CT]
HEX-063	RGBW	13,293	95	DL-HEX-063-RGBW
LIN-072	Cool White (CW), Warm White (WW), Neutral White (NW)	15,192	108	DL-LIN-072-[CT]
LIN-072	RGBW	15,192	108	DL-LIN-072-RGBW
LIN-140	Cool White (CW), Warm White (WW), Neutral White (NW)	29,540	210	DL-LIN-140-[CT]
LIN-140	RGBW	29,540	210	DL-LIN-140-RGBW
HEX-210	Cool White (CW), Warm White (WW), Neutral White (NW)	44,310	315	DL-HEX-210-[CT]
HEX-210	RGBW	44,310	315	DL-HEX-210-RGBW
HEX-252	Cool White (CW), Warm White (WW), Neutral White (NW)	53,172	378	DL-HEX-252-[CT]
HEX-252	RGBW	53,172	378	DL-HEX-252-RGBW
HEX-378	Cool White (CW), Warm White (WW), Neutral White (NW)	79,758	567	DL-HEX-378-[CT]
HEX-378	RGBW	79,758	567	DL-HEX-378-RGBW

HIGHBAY.N



HOW TO ORDER

HBN	S	12"	BST	HEX-210	RGBW	HEX-378	CW	HK
FIXTURE CODE	FIXTURE SQUARE	FIXTURE SIZE	BRACKET	UPLIGHT LIGHT ENGINE	UPLIGHT LIGHT COLOR TEMPERATURE	DOWNLIGHT LIGHT ENGINE	DOWNLIGHT LIGHT COLOR TEMPERATURE	MOUNTING
AC	EM							
LENS DIFFUSION	OPTIONS							