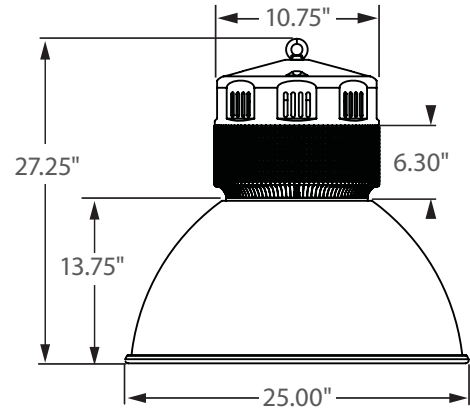




Not all products are qualified on the DLC QPL. To view our DLC qualified products, please consult the DLC Qualified Products List at [www.designlights.org/qpl](http://www.designlights.org/qpl)

**HIGH-TEMP RATING**  
**+65°C**

**\*\* AVAILABLE \*\***  
**Bi-Level Dimming**  
**100% 50%**  
**0 - 10V**  
**FULL DIMMING**



Incredible **100,000 hrs**

### GENERAL DESCRIPTION

Neptun's 25" LED High Bay fixtures combine architectural design and versatility to make it an excellent choice for new construction or retrofit applications. The high-bay fixture features a frosted lens design to create an even glow illumination and minimize glare. It can replace existing HID & HPS low bay fixtures up to 500W.

### APPLICATION

- Warehouse Lighting
- Factory Lighting
- Retail Lighting
- Showroom Lighting
- Grocery Store Lighting
- Area & Storage Lighting
- Gymnasium Lighting

### STRUCTURE, MATERIALS, & FEATURES

- 25" Aluminum hood with silver powder coat finish.
- Aluminum cast heat sink for excellent thermal management.
- High Output COB LED's.
- High power factor, low THD driver with 6kV/3kA surge protection.
- High performance Thermal Management system.
- Instant-On flicker-free Cold Start and Hot Re-Start.
- Bright white light (5000°K) for greater visibility and safety.
- LED engine design with Advanced Thermal Management.
- Up to 15 year maintenance free operation.
- 5 Year Warranty on complete fixture. (LED's, Driver, & Housing)
- Optional:** Bi-Level Dimming, 0-10V Dimming, Wi-Fi Control, Remote Monitoring and ON/ OFF Control

### ORDERING INFORMATION

Sample Number: LED-25200-AL-UNV-HT-BL-DIM-850-MD-C3  
Custom options and accessories available. Please consult factory

Series	Wattage	Reflector	Voltage	Options	CCT	Accessories	Options
LED-25 = 25" High Bay	200 = 200 W 250 = 250 W 300 = 300 W 400 = 400 W	AL = Aluminum	UNV = 120-277 VAC 347V = 347 VAC 480V = 480 VAC	HT = High Temperature Rating (65°C) 0-10VDIM = 0-10V Dimming BL-DIM = Bi-Level Dimming * * Includes Motion Sensor ** Contact Factory for Dimming options	835 = 3500°K 841 = 4100°K 850 = 5000°K * * Standard	MD = Motion Sensor ON/OFF DLH = Day Light Harvesting* * Offered with 0-10V Dimming)	C3* = 3' Cord-No Plug (other lengths available C6 = 6' cord) PC3 = 3' Cord with NEMA Plug (verify plug type when ordering) PL = Polycarbonate Lens PDM = 3/4" Knockout * Standard



### PRODUCT INFORMATION

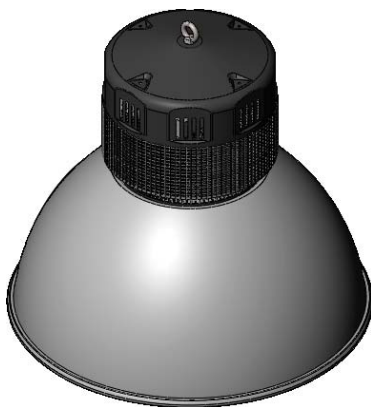
Model No.	Description	Rated Watts	Input Watts	Delivered Lumens	Universal Line Voltage (VAC)	Max Line Current (Amp) @ 120 - 277	THD	Power Factor	Weight
LED-25200-AL-UNV	LED High Bay Fixture	200	203	22,000	120-277	1.75 - 0.75	<20%	>0.90	30 lbs
LED-25250-AL-UNV	LED High Bay Fixture	250	251	27,500	120-277	2.18 - 0.94	<20%	>0.90	30 lbs
LED-25300-AL-UNV	LED High Bay Fixture	300	303	33,000	120-277	2.62 - 1.13	<20%	>0.90	45 lbs
LED-25400-AL-UNV	LED High Bay Fixture	400	403	44,000	120-277	3.49 - 1.51	<20%	>0.90	45 lbs

### SPECIFICATIONS

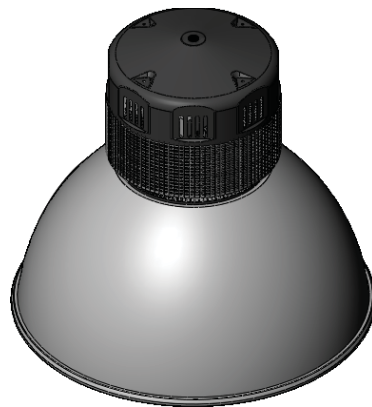
- Driver ..... Constant Current
- Start Method ..... InstantON
- Hot Re-start ..... InstantON
- Power Supply ..... 350mA
- Driver UL Rating ..... Class 1
- Driver UL Outdoor Rated ..... Wet Location
- Sound Rating ..... Class A
- ANSI Surge Protection ..... IEEE C62.41 C High
- Driver Off-State Draw ..... 0 Watts
- Universal Input Line Voltage ..... 120-277 VAC
- Input Line Frequency ..... 50/60 Hz
- Projected (L70) @ 25°C ..... > 100,000 hrs.
- Color Temperature ..... 5,000°K
- Color Rendering Index (CRI) ..... > 80
- Minimum Starting Temperature ..... -40°C
- Maximum Starting Temperature ..... +65°C
- Lumens per Watt ..... > 100
- Shock / Vibration Resistant ..... Yes
- Power Factor ..... > 0.90
- Total Harmonic Distortion ..... < 20%
- Inrush Current Peak ..... < 10 Amp
- FCC Compliance ..... Part 15, Subp. C
- ETL Listed / UL Standard 1598 ..... Yes
- Housing IP Rating ..... IP43
- Driver IP Rating ..... IP67
- Warranty ..... 5 Year

### MOUNTING OPTIONS

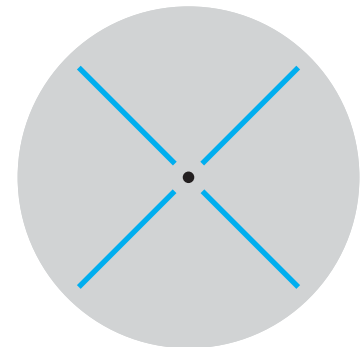
Hook Mount (Standard)



Pendant Mount  
(Verify NPT size with factory)



### PHOTOMETRICS (See Complete IES File)



Type V Distribution