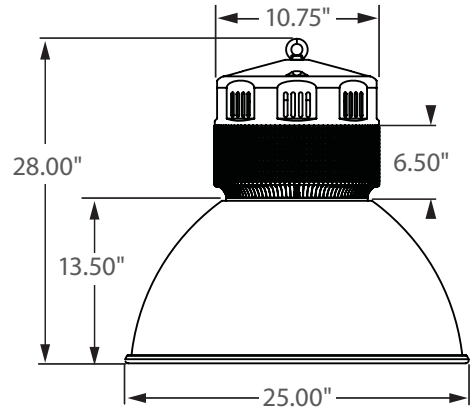




Not all products are qualified on the DLC QPL. To view our DLC qualified products, please consult the DLC Qualified Products List at www.designlights.org/qpl

HIGH-TEMP RATING
+65°C

**** AVAILABLE ****
Bi-Level Dimming
100% 50%
0 - 10V
FULL DIMMING



Incredible **100,000 hrs**

GENERAL DESCRIPTION

Neptun's LED 25" Polycarbonate High-Bay fixtures combine classic form and versatility to make it an excellent choice for new construction or retrofit applications. The polycarbonate refractor offers excellent optics with horizontal and vertical footcandles. The 25" housing is offered in a variety of wattages to provide maximum flexibility in all types of applications. It can replace existing HID & HPS fixtures up to 1000W.

APPLICATION

- Warehouse Lighting
- Factory Lighting
- Retail Lighting
- Showroom Lighting
- Grocery Store Lighting
- Area & Storage Lighting
- Gymnasium Lighting

STRUCTURE, MATERIALS, & FEATURES

- 25" High Efficiency, heat and impact resistant, UV protected, non yellowing, polycarbonate refractor.
- Corrosion resistant die-cast aluminum gear box with electrocoat finish.
- High Output COB LED's.
- High power factor, low THD driver with 6kV/3kA surge protection.
- High performance Thermal Management system.
- Instant-On flicker-free Cold Start and Hot Re-Start.
- Bright white light (5000°K) for greater visibility and safety.
- Up to 15 year maintenance free operation.
- 5 Year Warranty on complete fixture. (LED's, Driver, & Housing)
- **Optional:** Bi-Level Dimming, 0-10V Dimming, Wi-Fi Control, Remote Monitoring and ON/ OFF Control

ORDERING INFORMATION

Sample Number: LED-25200-PC-UNV-HT-BL-DIM-850-MD-C3
Custom options and accessories available. Please consult factory

| Series | Wattage | Reflector | Voltage | Options | CCT | Accessories | Options |
|-----------------------|--|--------------------|---|--|--|---|---|
| LED-25 = 25" High Bay | 200 = 200 W 250 = 250 W 300 = 300 W 400 = 400 W | PC = Polycarbonate | UNV = 120-277 VAC 347V = 347 VAC 480V = 480 VAC | HT = High Temperature Rating (65°C) 0-10VDIM = 0-10V Dimming BL-DIM = Bi-Level Dimming * * Includes Motion Sensor ** Contact Factory for Dimming options | 835 = 3500°K 841 = 4100°K 850 = 5000°K * * Standard | MD = Motion Sensor ON/OFF DLH = Day Light Harvesting* * Offered with 0-10V Dimming) | C3* = 3' Cord-No Plug (other lengths available C6 = 6' cord) PC3 = 3' Cord with NEMA Plug (verify plug type when ordering) PL = Polycarbonate Lens PDM = 3/4" Knockout * Standard |



PRODUCT INFORMATION

| Model No. | Description | Rated Watts | Input Watts | Delivered Lumens | Universal Line Voltage (VAC) | Max Line Current (Amp) @ 120 - 277 | THD | Power Factor | Weight |
|------------------|----------------------|-------------|-------------|------------------|------------------------------|------------------------------------|------|--------------|--------|
| LED-25200-PC-UNV | LED High Bay Fixture | 200 | 202 | 22,000 | 120-277 | 1.74 - 0.75 | <20% | >0.90 | 30 lbs |
| LED-25250-PC-UNV | LED High Bay Fixture | 250 | 252 | 27,500 | 120-277 | 2.18 - 0.94 | <20% | >0.90 | 30 lbs |
| LED-25300-PC-UNV | LED High Bay Fixture | 300 | 301 | 33,000 | 120-277 | 2.62 - 1.13 | <20% | >0.90 | 40 lbs |
| LED-25400-PC-UNV | LED High Bay Fixture | 400 | 401 | 44,000 | 120-277 | 3.49 - 1.51 | <20% | >0.90 | 40 lbs |

SPECIFICATIONS

- Driver Constant Current
- Start Method InstantON
- Hot Re-start InstantON
- Power Supply 350mA
- Driver UL Rating Class 1
- Driver UL Outdoor Rated Wet Location
- Sound Rating Class A
- ANSI Surge Protection IEEE C62.41 C High
- Driver Off-State Draw 0 Watts
- Universal Input Line Voltage 120-277 VAC
- Input Line Frequency 50/60 Hz
- Projected (L70) @ 25°C > 100,000 hrs.
- Color Temperature 5,000°K
- Color Rendering Index (CRI) > 80
- Minimum Starting Temperature -40°C
- Maximum Starting Temperature +65°C
- Lumens per Watt > 100
- Shock / Vibration Resistant Yes
- Power Factor > 0.90
- Total Harmonic Distortion < 20%
- Inrush Current Peak < 10 Amp
- FCC Compliance Part 15, Subp. C
- ETL Listed / UL Standard 1598 Yes
- Housing IP Rating IP43
- Driver IP Rating IP67
- Warranty 5 Year

MOUNTING OPTIONS

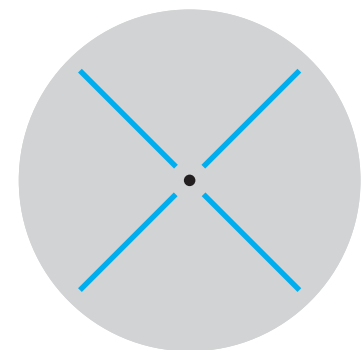
Hook Mount (Standard)



Pendant Mount
(Verify NPT size with factory)



PHOTOMETRICS (See Complete IES File)



Type V Distribution