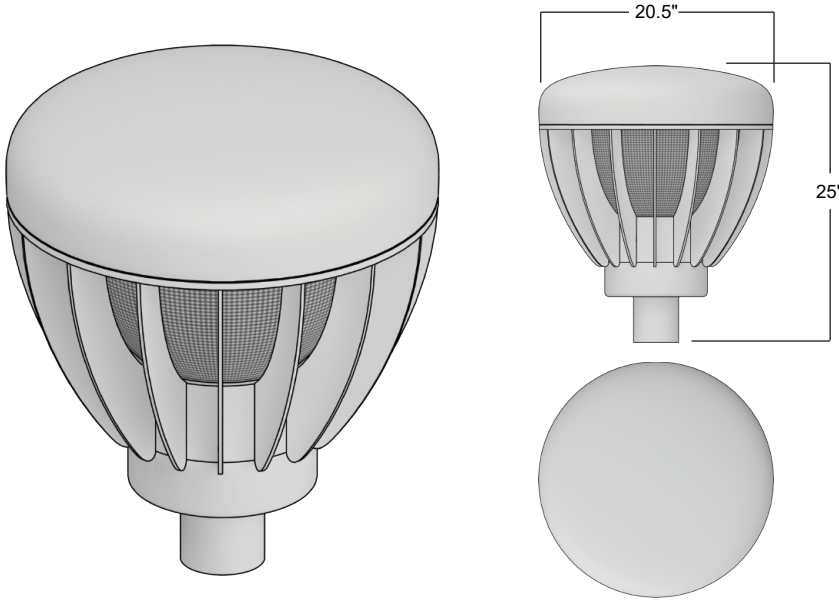




POLES & LIGHTING

# AVPL GRD - Guardian Lantern



### Description

The GRD Guardian series by AV Poles & Lighting is a traditional cast aluminum lighting solution that combines aesthetic design, performance, and durability for a variety of public area projects. The vandal resistant construction is ideal for Municipal, Park, Retail, and Pathway applications.

### Materials

Available with refractive prismatic lens.

Porcelain socket.

Durable cast aluminum top, struts, and fitter. Fitter has 3" I.D. opening for tenon.

Stainless steel hardware.

TGIC thermoset polyester powder coat finish is electrostatically applied at a 3.0 mil nominal thickness. A five stage metal pre-treatment process and sealer provide maximum corrosion resistance. The powder top coat is baked in excess of 400 degrees for supreme endurance.

## Ordering Information

Luminaire	Lamp Type	Volts	Mounting	Finish	Options
<input type="checkbox"/> AVPL- GRD	<b>LED</b> 36W (700mA)    72W (700mA) <input type="checkbox"/> <input type="checkbox"/> 56W (1A)        112W (1A) <input type="checkbox"/> <input type="checkbox"/>	<input type="checkbox"/> 120 <input type="checkbox"/> 208 <input type="checkbox"/> 240 <input type="checkbox"/> 277	<input type="checkbox"/> 1..... ○ <input type="checkbox"/> 2-90..... ○ <input type="checkbox"/> 2-180..... ○ <input type="checkbox"/> 3-90..... ○ <input type="checkbox"/> 3-120..... ○ <input type="checkbox"/> 4-90..... ○ <input type="checkbox"/> Wall Mount.... ○ <input type="checkbox"/> Post Top..... ○	<input type="checkbox"/> Dark Bronze <input type="checkbox"/> Black <input type="checkbox"/> White <input type="checkbox"/> Grey <input type="checkbox"/> Green	<b>Optical</b> House Side Shield <input type="checkbox"/>  <b>Electrical</b> 10-20KV Surge Protector    0-10V Dimmable Driver(s)    Photo Cell + Voltage <input type="checkbox"/> <input type="checkbox"/> <input type="checkbox"/>  High/Low Dimming for Hardwired Switching or Non-Integrated Motion Sensor <input type="checkbox"/>
<b>Optics</b> <input type="checkbox"/> Type III <input type="checkbox"/> Type V	<b>PSMH</b> 70W 100W 150W <input type="checkbox"/> <input type="checkbox"/> <input type="checkbox"/>  <b>HPS</b> 70W 100W 150W <input type="checkbox"/> <input type="checkbox"/> <input type="checkbox"/>				
	<b>Color Temp</b> 3000K Warm    4000K Natural    5000K Cool <input type="checkbox"/> <input type="checkbox"/> <input type="checkbox"/>				
	<input type="checkbox"/> = LED Only				