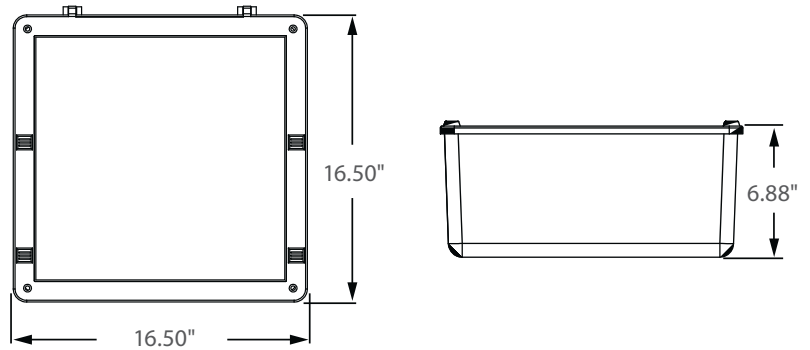




Not all products are qualified on the DLC QPL. To view our DLC qualified products, please consult the DLC Qualified Products List at [www.designlights.org/qpl](http://www.designlights.org/qpl)



## Incredible 100,000 hrs

### GENERAL DESCRIPTION

Neptun's 16" LED shoebox combines classic form and versatility to make it an excellent choice for new construction or retrofit applications. The LED-16 series shoebox fixture is offered in a variety of wattages and mounting options to provide maximum flexibility in all types of applications. It can replace existing HID & HPS fixtures up to 400W.

### APPLICATION

- Parking Lot Lighting
- Car Lot Lighting
- Area & Storage Lighting
- Street Lighting
- Walkway Lighting
- Building Accent Lighting

### STRUCTURE, MATERIALS, & FEATURES

- Heavy-gauge, die-cast aluminum housing.
- Integral structural support plate for mounting arm ensures strength.
- Corrosion resistant electrocoat dark bronze finish (custom colors available).
- Hinged aluminum door frame incorporates stainless steel hardware.
- Continuous silicone gasketing surrounds optics for weather - tight seal.
- Correlated Color Temperature of (5000°K) for greater visibility and safety.
- High Output COB LED's with borosilicate glass lens optics.
- High power factor, low THD driver with 6kV/3kA surge protection. Optional 20kV/10kA surge protector available.
- InstantON flicker-free Cold Start and Hot Re-Start.
- Up to 15 years Maintenance free operation.
- 10 Year Warranty on complete fixture. (LED's, Driver, & Housing)
- **Optional:** 0-10V Dimming, Bi-Level Dimming, Wi-Fi Control, Remote Monitoring and ON/ OFF Control, DC 24V Operation - Solar Compatible

### ORDERING INFORMATION

Sample Number: LED-16100-UNV-0-10VDIM-SA6-850-LD-T3-BRZ  
Custom options and accessories available. Please consult factory.

Series	Wattage	Voltage	Options	Mounting	CCT	Accessories	Optics	Color
<b>LED-16</b> = Area/ Parking Fixture	<b>080</b> = 80 W <b>100</b> = 100 W <b>120</b> = 120 W <b>150</b> = 150 W	<b>UNV</b> = 120-277 VAC <b>347V</b> = 347 VAC <b>480V</b> = 480 VAC <b>24VDC</b> = 24 VDC	<b>0-10VDIM</b> = 0-10V Dimming <b>BL-DIM</b> = Bi-Level Dimming * * Includes Motion Sensor	<b>SA6</b> = 6" Side Arm <b>SA12</b> = 12" Side Arm <b>SA6R</b> = 6" Side Arm (round pole adapter) <b>SA12R</b> = 12" Side Arm (round pole adapter) <b>WM6</b> = 6" Wall Mount <b>WM12</b> = 12" Wall Mount <b>SF</b> = Slip Fitter Mount <b>YK</b> = Yoke Mount	<b>835</b> = 3500°K <b>841</b> = 4100°K <b>850</b> = 5000°K * * Standard	<b>LD</b> = Twistlock Photocell <b>MD</b> = Motion Sensor ON/OFF <b>SP</b> = 20kV/10kA surge protector <b>FSGS</b> = Front Side Glare Shield <b>BSGS</b> = Front Side Glare Shield <b>FSP-211</b> = Wattstopper Sensor (used with bi-level dimming option)	<b>T3</b> = Type 3 <b>T5</b> = Type 5	<b>BRZ</b> = Bronze * Custom Colors Available



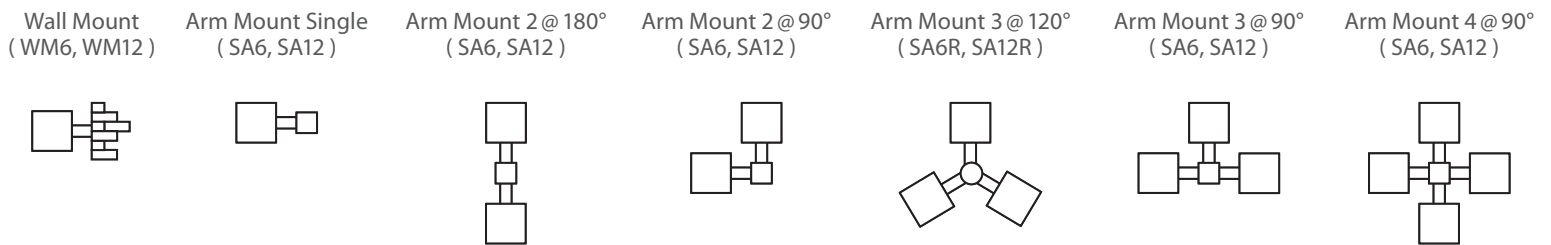
### PRODUCT INFORMATION

Model No.	Description	Rated Watts	Input Watts	Delivered Lumens	Universal Line Voltage (VAC)	Max Line Current (Amp) @ 120 - 277	THD	Power Factor	Weight
LED-16080-UNV	LED Area/Flood Fixture	80	82	9,600	120-277	0.69 - 0.30	<20%	>0.90	25 lbs
LED-16100-UNV	LED Area/Flood Fixture	100	102	12,000	120-277	0.87 - 0.37	<20%	>0.90	25 lbs
LED-16120-UNV	LED Area/Flood Fixture	120	122	14,400	120-277	1.05 - 0.45	<20%	>0.90	25 lbs
LED-16150-UNV	LED Area/Flood Fixture	150	153	18,000	120-277	1.31 - 0.56	<20%	>0.90	25 lbs

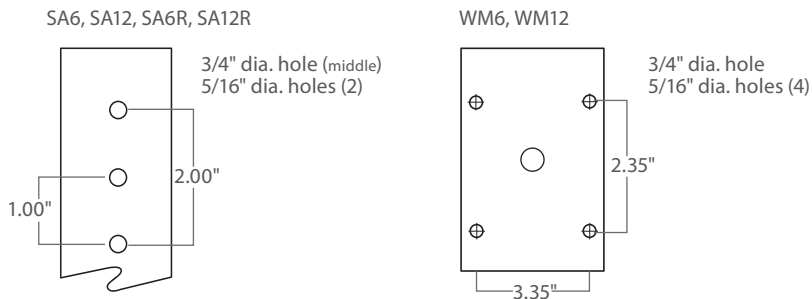
### SPECIFICATIONS

- Driver ..... Constant Current
- Start Method ..... InstantON
- Hot Re-start ..... InstantON
- Power Supply ..... 350mA
- Driver UL Rating ..... Class 1
- Driver UL Outdoor Rated ..... Wet Location
- Sound Rating ..... Class A
- ANSI Surge Protection ..... IEEE C62.41 C High
- Current Crest Factor ..... 1.5 maximum
- Load Regulation: 5% output current variation across load range
- Line Regulation: 1% output voltage variation across voltage range
- Driver Off-State Draw ..... 0 Watts
- Vibration Compliance ..... 3G
- Universal Input Line Voltage ..... 120-277 VAC
- Input Line Frequency ..... 50/60 Hz
- Projected (L70) @ 25°C ..... > 100,000 hrs.
- Color Temperature ..... 5,000°K
- Color Rendering Index (CRI) ..... > 80
- Minimum Starting Temperature ..... -40°C
- Maximum Starting Temperature ..... +50°C
- Lumens per Watt ..... > 100
- Shock / Vibration Resistant ..... Yes
- Power Factor ..... > 0.90
- Total Harmonic Distortion ..... < 20%
- Inrush Current Peak ..... < 10 Amp
- FCC Compliance ..... Part 15, Subp. C
- ETL Listed / UL Standard 1598 ..... Yes
- EPA Rating ..... 0.96 ft.<sup>2</sup>
- Driver IP Rating ..... IP67
- Optics IP Rating ..... IP68
- Warranty ..... 10 Year

### MOUNTING CONFIGURATION



### DRILLING PATTERNS



### PHOTOMETRICS (See Complete IES File)

