

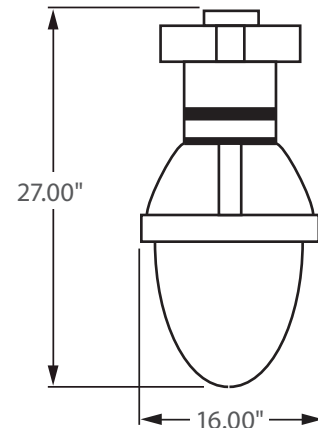


Pole Mount Arm Sold Separately

** AVAILABLE **

0 - 10V

FULL DIMMING



Incredible **100,000** hrs

GENERAL DESCRIPTION

Neptun's LED post top fixture features architectural style to make it an excellent choice for new construction or retrofit applications. The LED-987 series offers excellent illumination and uniformity. Drop polycarbonate lens creates evenly illuminated area with no glare. It can replace existing HID & HPS fixtures up to 250W.

APPLICATION

- Street Lighting
- Parking Lot Lighting
- Security Lighting
- Decorative Post-Top Lighting
- Area Lighting
- Walkway Lighting

STRUCTURE, MATERIALS, & FEATURES

- Heavy-gauge, die-cast aluminum housing.
- High Efficiency, heat and impact resistant, UV protected, non-yellowing polycarbonate refractor.
- Corrosion resistant electrocoat black finish. (custom colors available)
- Accepts 3/4" NPT pipe. (hardware included)
- Mounting arm available for pole mounting.
- High Output COB LED's with borosilicate glass lens optics.
- High power factor, low THD driver with 6kV/3kA surge protection. Optional 20kV/10kA surge protector available.
- Up to 15 year maintenance free operation.
- 5 Year Warranty on complete fixture. (LED's, Driver, & Housing)
- **Optional:** 0-10V Dimming, Wi-Fi Control, Remote Monitoring and ON/ OFF Control, DC 24V Operation - Solar Compatible

ORDERING INFORMATION

Sample Number: LED-987060-UNV-0-10VDIM-850-PMA-BLK
Custom options and accessories available. Please consult factory

Series	Wattage	Voltage	Options	Color Temp	Accessories	Color
LED-987 = Tear-Drop Area Fixture	060 = 60 W 080 = 80 W 100 = 100 W 120 = 120 W	UNV = 120-277 VAC 347V = 347 VAC 480V = 480 VAC 24VDC = 24 VDC	0-10VDIM = 0-10V Dimming ** Contact Factory for dimming options	835 = 3500°K 841 = 4100°K 850 = 5000°K * * Standard	PMA = Pole Mount Arm SP = 20kV/10kA surge protector	BLK = Black * Custom Colors Available



PRODUCT INFORMATION

Model No.	Description	Rated Watts	Input Watts	Delivered Lumens	Universal Line Voltage (VAC)	Max Line Current (Amp) @ 120 - 277	THD	Power Factor	Weight
LED-987060-UNV	Post-Top Area Fixture	60	62	6,000	120-277	0.52 - 0.22	<20%	>0.90	25 lbs
LED-987080-UNV	Post-Top Area Fixture	80	82	8,000	120-277	0.69 - 0.30	<20%	>0.90	25 lbs
LED-987100-UNV	Post-Top Area Fixture	100	102	10,000	120-277	0.87 - 0.37	<20%	>0.90	25 lbs
LED-987120-UNV	Post-Top Area Fixture	120	122	12,000	120-277	1.05 - 0.45	<20%	>0.90	25 lbs

SPECIFICATIONS

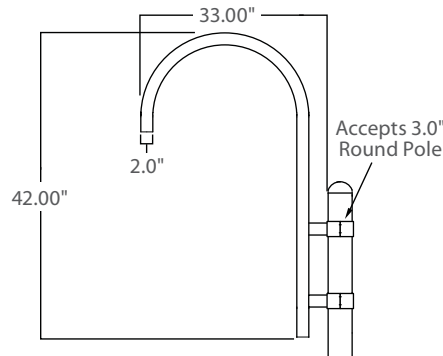
- Driver Constant Current
- Start Method InstantON
- Hot Re-start InstantON
- Power Supply 350mA
- Driver UL Rating Class 1
- Driver UL Outdoor Rated Wet Location
- Sound Rating Class A
- ANSI Surge Protection IEEE C62.41 C High
- Current Crest Factor 1.5 maximum
- Load Regulation: 5% output current variation across load range
- Line Regulation: 1% output voltage variation across voltage range
- Driver Off-State Draw 0 Watts
- Vibration Compliance 3G
- Universal Input Line Voltage 120-277 VAC
- Input Line Frequency 50/60 Hz
- Projected (L70) @ 25°C > 100,000 hrs.
- Color Temperature 5,000°K
- Color Rendering Index (CRI) > 80
- Minimum Starting Temperature -40°C
- Maximum Starting Temperature +50°C
- Lumens per Watt > 100
- Shock / Vibration Resistant Yes
- Power Factor > 0.90
- Total Harmonic Distortion < 20%
- Inrush Current Peak < 10 Amp
- FCC Compliance Part 15, Subp. C
- EPA Rating 1.31 ft.²
- Housing IP Rating IP65
- Driver IP Rating IP67
- Warranty 5 Year

MOUNTING OPTIONS

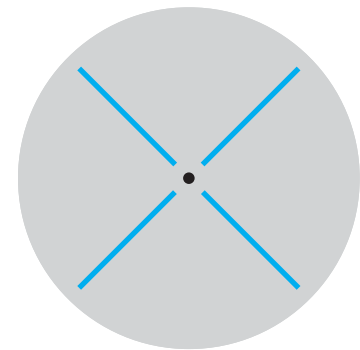
Accepts up to 3/4" NPT Pipe



Pole Mount (sold separately)



PHOTOMETRICS (See Complete IES File)



Type V Distribution