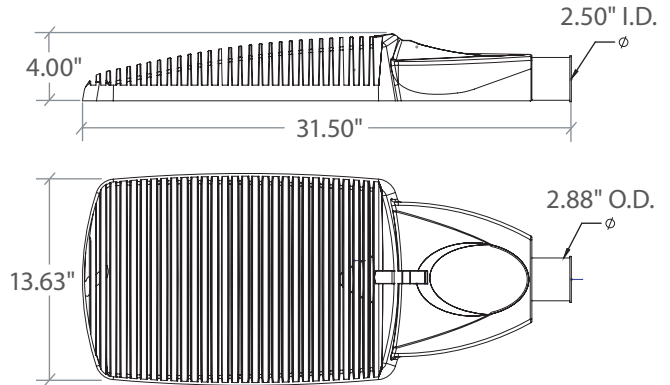


Not all products are qualified on the DLC QPL. To view our DLC qualified products, please consult the DLC Qualified Products List at [www.designlights.org/qpl](http://www.designlights.org/qpl)

**\*\* AVAILABLE \*\***  
**0 - 10V**  
**FULL DIMMING**



Incredible **100,000 hrs**

## GENERAL DESCRIPTION

Neptun's Kometa™ LED Roadway fixtures combine architectural form and versatility to make it an excellent choice for new construction or retrofit applications. The Kometa fixture is offered in a variety of wattages to provide maximum flexibility in all types of applications. The 150 PCS High output LED's and custom engineered optics provide excellent uniformity and efficiency. Used in applications replacing up to 400W HID & HPS Fixtures on Major Roadways & Highways.

## APPLICATION

- Street Lighting
- Roadway Lighting
- Highway Lighting

## STRUCTURE, MATERIALS, & FEATURES

- Heavy-gauge, die-cast aluminum housing with cooling fins.
- Corrosion resistant electrocoat grey finish (custom colors available).
- Slim, state of the art, low profile design for minimum wind load resistance.
- Heat and impact resistant tempered flat glass lens. (IESNA full-cutoff)
- Tool less entry gear box for easy maintenance and installation.
- Continuous silicone gasket surrounds lens for IP66 weather tight seal.
- Optional NEMA Twist lock Photocell for increased energy savings.
- High Output LED's.
- High power factor, low THD driver with 6kV/3kA surge protection.  
 Optional 20kV/10kA surge protector available.
- InstantON flicker-free Cold Start and Hot Re-Start.
- Up to 15 years Maintenance free operation.
- 5 Year Warranty on complete fixture. (LED's, Driver, & Housing)
- **Optional:** 0-10V Dimming, Remote Monitoring and ON/ OFF Control, DC 24V Operation - Solar Compatible

## ORDERING INFORMATION

Sample Number: LED-452100-UNV-0-10VDIM-750-LD-T2A-GRY  
 Custom options and accessories available. Please consult factory

Series	Wattage	Voltage	Options	Color Temp	Accessories	Optics	Color
<b>LED-452</b> = Street Light	<b>100</b> = 100 W <b>110</b> = 110 W <b>120</b> = 120 W <b>130</b> = 130 W <b>140</b> = 140 W <b>150</b> = 150 W <b>160</b> = 160 W	<b>UNV</b> = 120-277 VAC <b>347V</b> = 347 VAC <b>480V</b> = 480 VAC <b>24VDC</b> = 24 VDC * * Only available in 100W	<b>0-10VDIM</b> = 0-10V Dimming * Contact factory for dimming options	<b>735</b> = 3500°K <b>741</b> = 4100°K <b>750</b> = 5000°K * * Standard	<b>LD</b> = NEMA Twist-Lock Photocell & Receptical <b>LDR-3P</b> = 3-Pin Photocell Receptical <b>LDR-7P</b> = 7-Pin Photocell Receptical <b>SP</b> = 20kV/10kA surge protector <b>HSGS</b> = House Side Glare Shield <b>LGN</b> = Light Genie Node * * Contact factory for product Information	<b>T2A</b> = Type 2 Asymmetrical	<b>GRY</b> = Grey * Custom Colors Available



### PRODUCT INFORMATION

Model No.	Description	Rated Watts	Input Watts	Delivered Lumens	Universal Line Voltage (VAC)	Max Line Current (Amp) 120 - 277	THD	Power Factor	Weight
LED-452100-UNV	LED Roadway Fixture	100	102	10,000	120-277	0.87 - 0.37	<20%	>0.90	32 lbs
LED-452110-UNV	LED Roadway Fixture	110	112	11,000	120-277	0.96 - 0.41	<20%	>0.90	32 lbs
LED-452120-UNV	LED Roadway Fixture	120	122	12,000	120-277	1.05 - 0.45	<20%	>0.90	32 lbs
LED-452130-UNV	LED Roadway Fixture	130	132	13,000	120-277	1.13 - 0.49	<20%	>0.90	32 lbs
LED-452140-UNV	LED Roadway Fixture	140	142	14,000	120-277	1.22 - 0.53	<20%	>0.90	32 lbs
LED-452150-UNV	LED Roadway Fixture	150	152	15,000	120-277	1.31 - 0.56	<20%	>0.90	32 lbs
LED-452160-UNV	LED Roadway Fixture	160	162	16,000	120-277	1.39 - 0.60	<20%	>0.90	32 lbs

### SPECIFICATIONS

- Driver ..... Constant Current
- Start Method ..... InstantON
- Hot Re-start ..... InstantON
- Power Supply ..... 350mA
- Driver UL Rating ..... Class 1
- Driver UL Outdoor Rated ..... Wet Location
- Sound Rating ..... Class A
- ANSI Surge Protection ..... IEEE C62.41 C High
- Current Crest Factor ..... 1.5 maximum
- Load Regulation: 5% output current variation across load range
- Line Regulation: 1% output voltage variation across voltage range
- Driver Off-State Draw ..... 0 Watts
- Vibration Compliance ..... 3G
- Universal Input Line Voltage ..... 120-277 VAC
- Input Line Frequency ..... 50/60 Hz
- Projected (L70) @ 25°C ..... > 100,000 hrs.
- Color Temperature ..... Multiple
- Color Rendering Index (CRI) ..... > 80
- Minimum Starting Temperature ..... -40°C
- Maximum Starting Temperature ..... +50°C
- Lumens per Watt ..... > 100
- Shock / Vibration Resistant ..... Yes
- Power Factor ..... > 0.90
- Total Harmonic Distortion ..... < 20%
- Inrush Current Peak ..... < 10 Amp
- FCC Compliance ..... Part 15, Subp. C
- ETL Listed / UL Standard 1598 ..... Yes
- EPA Rating ..... 0.86 ft.<sup>2</sup>
- Housing IP Rating ..... IP65
- Driver IP Rating ..... IP67
- Optics IP Rating ..... IP68
- Warranty ..... 5 Year

### MOUNTING OPTIONS

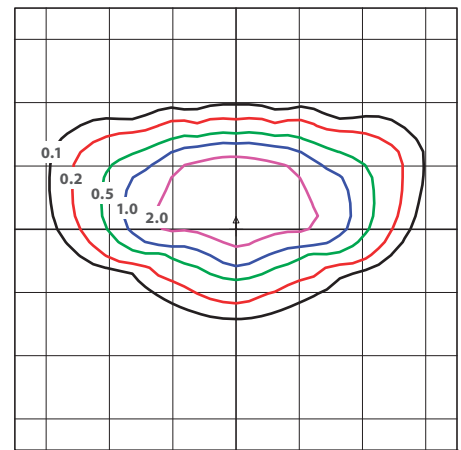


Accepts  
1-1/4" - 2-3/8" O.D.  
Tenon or Pipe



(2) 5-16" Stainless Steel Bolts

### PHOTOMETRICS (See Complete IES File)



Horizontal Footcandles  
Scale: 1 Hash = 30 Ft.  
Light Loss Factor = 1.00  
Total Lamp Lumens = 14281.5  
Mounting Height = 30.00 Ft., Tilt = 5 Degrees  
Maximum Calculated Value = 4.08 Fc  
Arrangement: Single

NEPTUN LIGHT, INC.  
LED-452160-UNV-850-T2A

Neptun Light, Inc. reserves the right to change materials or modify the design of its product without notification as part of the company's continuing product improvement program.  
©2002-2016 Neptun Light, Inc. All rights reserved.