



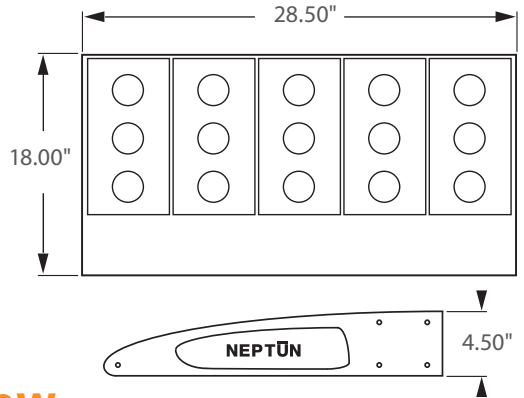
Not all products are qualified on the DLC QPL. To view our DLC qualified products, please consult the DLC Qualified Products List at [www.designlights.org/qpl](http://www.designlights.org/qpl)

**\*\* AVAILABLE \*\***

Bi-Level Dimming  
100% 50%

0 - 10V  
FULL DIMMING

Dark Sky  
FRIENDLY



**REPLACEMENT FOR 1000W HID**

**Incredible 100,000 hrs**

## GENERAL DESCRIPTION

Neptun's modular LED parking lot fixtures combine architectural form and versatility to make it an excellent choice for new construction or retrofit applications. The LED-31 series fixture is offered in a variety of wattages to provide maximum flexibility in all types of applications. The High output LED's and custom engineered optics provide excellent uniformity and efficiency. It can replace existing HID & HPS fixtures up to 1000W

## APPLICATION

- Parking Lot Lighting
- Street Lighting
- Walkway Lighting
- Area Lighting
- Security Lighting
- Storage Area Lighting

## STRUCTURE, MATERIALS, & FEATURES

- Heavy-gauge, die-cast aluminum housing.
- Corrosion resistant electrocoat grey finish (custom colors available).
- Slim, state of the art, low profile design for minimum wind load resistance.
- Continuous silicone gasket surrounds lens for weather tight seal.
- Correlated Color Temperature of (5000°K) for greater visibility and safety.
- High Output COB LED's with borosilicate glass lens optics.
- High power factor, low THD driver with 6kV/3kA surge protection.  
Optional 20kV/10kA surge protector available.
- InstantON flicker-free Cold Start and Hot Re-Start.
- Up to 20 years Maintenance free operation.
- 10 Year Warranty on complete fixture. (LED's, Driver, & Housing)
- **Optional:** 0-10V Dimming, Bi-Level Dimming, Wi-Fi Control, Remote Monitoring and ON/ OFF Control

## ORDERING INFORMATION

Sample Number: LED-31400-M5-UNV-0-10VDIM-SF-850-LD-T3-GRY  
Custom options and accessories available. Please consult factory

Series	Wattage	Voltage	Options	Mounting	CCT	Accessories	Optics	Color
<b>LED-31</b> = Area / Parking Fixture	<b>400-M5</b> = 400 W	<b>UNV</b> = 120-277 VAC <b>347V</b> = 347 VAC <b>480V</b> = 480 VAC	<b>0-10VDIM</b> = 0-10V Dimming <b>BL-DIM</b> = Bi-Level Dimming * * Includes Motion Sensor	<b>SA6</b> = 6" Side Arm <b>SA6R</b> = 6" Side Arm (round pole adapter) <b>WMO</b> = 0" Wall Mount <b>WM6</b> = 6" Wall Mount <b>SF</b> = Slip Fitter <b>YK</b> = Yoke Bracket * See Pg. 2 for mounting options	<b>835</b> = 3500°K <b>841</b> = 4100°K <b>850</b> = 5000°K * * Standard	<b>LD</b> = Twistlock Photocell <b>MD</b> = Motion Sensor ON/OFF <b>SP</b> = 20kV/10kA surge protector <b>LGN</b> = Light Genie Node ** ** Contact factory for product information	<b>T3</b> = Type 3 <b>T5</b> = Type 5	<b>GRY</b> = Grey <b>BRZ</b> = Bronze * Custom Colors Available



### PRODUCT INFORMATION

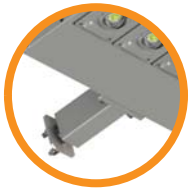
Model No.	Description	Rated Watts	Input Watts	Delivered Lumens	Universal Line Voltage (VAC)	Max Line Current (Amp) 120 - 277	THD	Power Factor	Weight
LED-31400-M5-UNV	Area/Parking Fixture	400	405	48,000	120-277	4.08 - 1.51	<20%	>0.90	50 lbs.

### SPECIFICATIONS

- Driver ..... Constant Current
- Start Method ..... InstantON
- Hot Re-start ..... InstantON
- Power Supply ..... 350mA
- Driver UL Rating ..... Class 1
- Driver UL Outdoor Rated ..... Wet Location
- Sound Rating ..... Class A
- ANSI Surge Protection ..... IEEE C62.41 C High
- Current Crest Factor ..... 1.5 maximum
- Load Regulation: 5% output current variation across load range
- Line Regulation: 1% output voltage variation across voltage range
- Driver Off-State Draw ..... 0 Watts
- Vibration Compliance ..... 3G
- Universal Input Line Voltage ..... 120-277 VAC
- Input Line Frequency ..... 50/60 Hz
- Projected (L70) @ 25°C ..... > 100,000 hrs.
- Color Temperature ..... 5,000°K
- Color Rendering Index (CRI) ..... > 80
- Minimum Starting Temperature ..... -40°C
- Maximum Starting Temperature ..... +50°C
- Lumens per Watt ..... > 100
- Shock / Vibration Resistant ..... Yes
- Power Factor ..... > 0.90
- Total Harmonic Distortion ..... < 20%
- Inrush Current Peak ..... < 10 Amp
- FCC Compliance ..... Part 15, Subp. C
- ETL Listed / UL Standard 1598 ..... Yes
- EPA Rating ..... 0.71 ft.<sup>2</sup>
- Housing IP Rating ..... IP65
- Driver IP Rating ..... IP67
- Optics IP Rating ..... IP68
- Warranty ..... 10 Year

### MOUNTING CONFIGURATION

Arm Mount Single (SA6)



Wall Mount (WM6)



Wall Mount (WM0)



Slip Fitter Mount (SF)

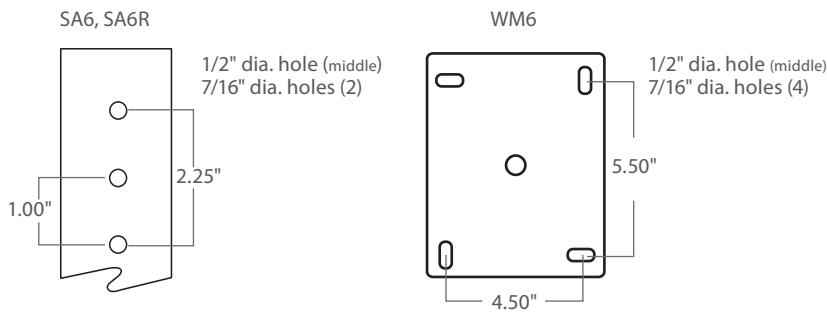


Yoke Mount (YK)



2-1/2" I.D. Accepts up to 2-3/8" Tenon or Pipe

### DRILLING PATTERNS



### PHOTOMETRICS (See Complete IES File)

