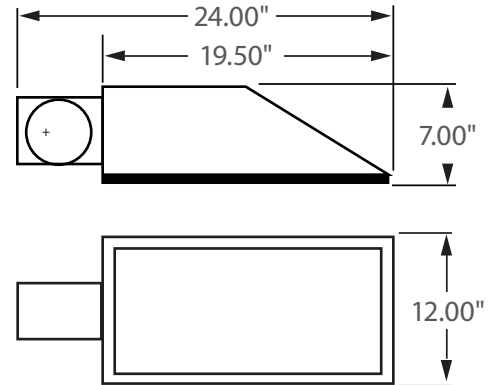




**** AVAILABLE ****
0 - 10V
FULL DIMMING



Incredible **100,000 hrs**

GENERAL DESCRIPTION

Neptun's LED shoebox combines classic form and versatility to make it an excellent choice for new construction or retrofit applications. The LED-217 series shoebox fixture is offered in a variety of wattages and mounting options to provide maximum flexibility in all types of applications. It can replace existing HID & HPS fixtures up to 250W.

APPLICATION

- Parking Lot Lighting
- Car Lot Lighting
- Area & Storage Lighting
- Street Lighting
- Walkway Lighting
- Building Accent Lighting

STRUCTURE, MATERIALS, & FEATURES

- Heavy-gauge, die-cast aluminum housing.
- Heat and impact resistant sealed glass lens around optics.
- Integral structural support plate for mounting arm ensures strength.
- Corrosion resistant electrocoat bronze finish (custom colors available).
- Hinged aluminum door frame incorporates stainless steel hardware.
- Available in adjustable tilt pole mount or wall mount.
- High Output COB LED's with borosilicate glass lens optics.
- High power factor, low THD driver with 6kV/3kA surge protection. Optional 20kV/10kA surge protector available.
- InstantON flicker-free Cold Start and Hot Re-Start.
- Up to 15 years Maintenance free operation.
- 5 Year Warranty on complete fixture. (LED's, Driver, & Housing)
- **Optional:** 0-10V Dimming, Wi-Fi Control, Remote Monitoring and ON/ OFF Control, DC 24V Operation - Solar Compatible

ORDERING INFORMATION

Sample Number: LED-217040-UNV-0-10VDIM-APM-850-LD-T3-BRZ
 Custom options and accessories available. Please consult factory.

Series	Wattage	Voltage	Options	Mounting	CCT	Accessories	Optics	Color
LED-217 = Area/ Parking Fixture	040 = 40 W 060 = 60 W 080 = 80 W 100 = 100 W 120 = 120 W	UNV = 120-277 VAC 347V = 347 VAC 480V = 480 VAC 24VDC = 24 VDC	0-10VDIM = 0-10V Dimming	APM = Adjustabe Pole Mount AWM = Adjustable Wall Mount Arm	835 = 3500°K 841 = 4100°K 850 = 5000°K * * Standard	LD = Twistlock Photocell MD = Motion Sensor ON/OFF SP = 20kV/10kA surge protector LGN = Light Genie Node ** ** Contact factory for product information	T3 = Type 3 T5 = Type 5	BRZ = Bronze * Custom Colors Available



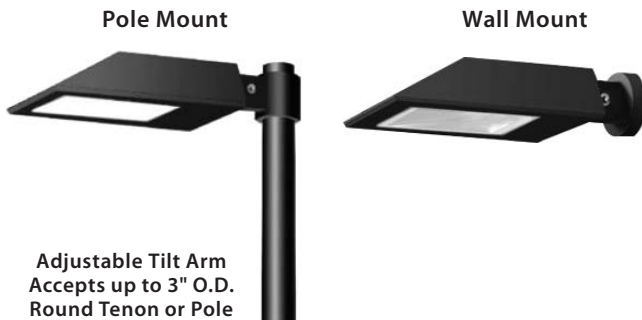
PRODUCT INFORMATION

Model No.	Description	Rated Watts	Input Watts	Delivered Lumens	Universal Line Voltage (VAC)	Max Line Current (Amp) @ 120 - 277	THD	Power Factor	Weight
LED-217040-UNV	LED Area Fixture	40	42	4,800	120-277	0.34 - 0.15	<20%	>0.90	20 lbs
LED-217060-UNV	LED Area Fixture	60	62	7,200	120-277	0.52 - 0.22	<20%	>0.90	20 lbs
LED-217080-UNV	LED Area Fixture	80	82	9,600	120-277	0.69 - 0.30	<20%	>0.90	20 lbs
LED-217100-UNV	LED Area Fixture	100	102	12,000	120-277	0.87 - 0.37	<20%	>0.90	20 lbs
LED-217120-UNV	LED Area Fixture	120	122	14,400	120-277	1.05 - 0.45	<20%	>0.90	20 lbs

SPECIFICATIONS

- Driver Constant Current
- Start Method InstantON
- Hot Re-start InstantON
- Power Supply 350mA
- Driver UL Rating Class 1
- Driver UL Outdoor Rated Wet Location
- Sound Rating Class A
- ANSI Surge Protection IEEE C62.41 C High
- Current Crest Factor 1.5 maximum
- Load Regulation: 5% output current variation across load range
- Line Regulation: 1% output voltage variation across voltage range
- Driver Off-State Draw 0 Watts
- Vibration Compliance 3G
- Universal Input Line Voltage 120-277 VAC
- Input Line Frequency 50/60 Hz
- Projected (L70) @ 25°C > 100,000 hrs.
- Color Temperature 5,000°K
- Color Rendering Index (CRI) > 80
- Minimum Starting Temperature -40°C
- Maximum Starting Temperature +50°C
- Lumens per Watt > 100
- Shock / Vibration Resistant Yes
- Power Factor > 0.90
- Total Harmonic Distortion < 20%
- Inrush Current Peak < 10 Amp
- FCC Compliance Part 15, Subp. C
- EPA Rating 1.16 ft.²
- Driver IP Rating IP67
- Optics IP Rating IP68
- Warranty 5 Year

MOUNTING OPTIONS



PHOTOMETRICS (See Complete IES File)

