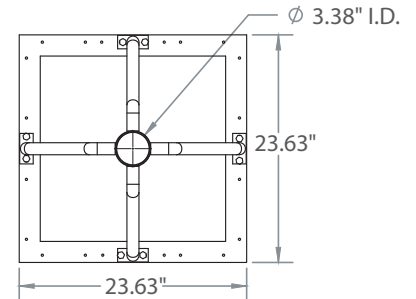
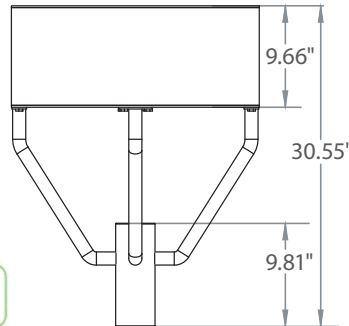




**\*\* AVAILABLE \*\***

Bi-Level Dimming  
100% 50%

0 - 10V  
FULL DIMMING



Incredible **100,000** hrs

### GENERAL DESCRIPTION

Neptun's 24" LED Square Post-Top fixture combines classic form and versatility to make it an excellent choice for new construction or retrofit applications. The LED-59 series post-top fixture is offered in a variety of wattages to provide maximum flexibility in all types of applications. It can replace existing HID & HPS fixtures up to 1000W.

### APPLICATION

- Parking Lot Lighting
- Car Lot Lighting
- Area & Storage Lighting
- Street Lighting
- Walkway Lighting

### STRUCTURE, MATERIALS, & FEATURES

- Heavy-gauge, stainless steel housing.
- 3.38" I.D. Slip Fitter Accepts up to 3.00" Pipe or Tenon.
- Corrosion resistant electrocoat dark bronze finish. (custom colors available)
- Post-top mounting system incorporates stainless steel hardware.
- Correlated Color Temperature of (5000°K) for greater visibility and safety.
- High Output COB LED's with borosilicate glass lens optics.
- High power factor, low THD driver with 6kV/3kA surge protection.  
Optional 20kV/10kA surge protector available.
- InstantON flicker-free Cold Start and Hot Re-Start.
- Up to 15 years Maintenance free operation.
- 10 Year Warranty on complete fixture. (LED's, Driver, & Housing)
- **Optional:** Bi-Level Dimming, 0-10V Dimming, Wi-Fi Control, Remote Monitoring and ON/ OFF Control

### ORDERING INFORMATION

Sample Number: LED-59180-UNV-0-10VDIM-850-LD-BRZ  
Custom options and accessories available. Please consult factory

Series	Wattage	Voltage	Options	Color Temp	Accessories	Color
LED-59 = Square Post-Top	180 = 180 W 200 = 200 W 260 = 260 W 320 = 320 W	UNV = 120-277 VAC 347V = 347 VAC 480V = 480 VAC	0-10VDIM = 0-10V Dimming BL-DIM = Bi-Level Dimming * * Includes Motion Sensor ** Contact Factory for dimming options	835 = 3500°K 841 = 4100°K 850 = 5000°K * * Standard	LD = Twist-Lock Photocell MD = Motion Sensor ON/OFF SP = 20kV/10kA surge protector FSP-211 = Wattstopper Sensor (used with bi-level dimming option)	BRZ = Bronze * Custom Colors Available



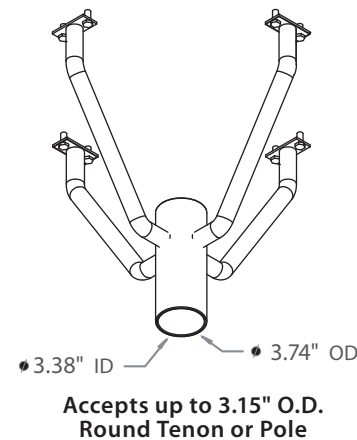
### PRODUCT INFORMATION

Model No.	Description	Rated Watts	Input Watts	Delivered Lumens	Universal Line Voltage (VAC)	Max Line Current (Amp) @ 120 - 277	THD	Power Factor	Weight
LED-59180-UNV	Square Post Top Fixture	180	182	21,600	120-277	1.57 - 0.68	<20%	>0.90	65 lbs
LED-59200-UNV	Square Post Top Fixture	200	202	24,000	120-277	1.74 - 0.75	<20%	>0.90	65 lbs
LED-59260-UNV	Square Post Top Fixture	260	263	31,200	120-277	2.29 - 0.98	<20%	>0.90	65 lbs
LED-59320-UNV	Square Post Top Fixture	320	323	38,400	120-277	2.79 - 1.21	<20%	>0.90	65 lbs

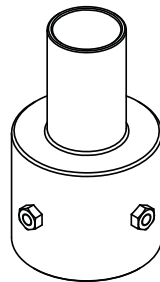
### SPECIFICATIONS

- Driver ..... Constant Current
- Start Method ..... InstantON
- Hot Re-start ..... InstantON
- Power Supply ..... 350mA
- Driver UL Rating ..... Class 1
- Driver UL Outdoor Rated ..... Wet Location
- Sound Rating ..... Class A
- ANSI Surge Protection ..... IEEE C62.41 C High
- Current Crest Factor ..... 1.5 maximum
- Load Regulation: 5% output current variation across load range
- Line Regulation: 1% output voltage variation across voltage range
- Driver Off-State Draw ..... 0 Watts
- Vibration Compliance ..... 3G
- Universal Input Line Voltage ..... 120-277 VAC
- Input Line Frequency ..... 50/60 Hz
- Projected (L70) @ 25°C ..... > 100,000 hrs..
- Color Temperature ..... 5,000°K
- Color Rendering Index (CRI) ..... > 80
- Minimum Starting Temperature ..... -40°C
- Maximum Starting Temperature ..... +50°C
- Lumens per Watt ..... > 100
- Shock / Vibration Resistant ..... Yes
- Power Factor ..... > 0.90
- Total Harmonic Distortion ..... < 20%
- Inrush Current Peak ..... < 10 Amp
- FCC Compliance ..... Part 15, Subp. C
- EPA Rating ..... 1.66 ft.<sup>2</sup>
- Driver IP Rating ..... IP67
- Optics IP Rating ..... IP68
- Warranty ..... 10 Year

### MOUNTING OPTIONS

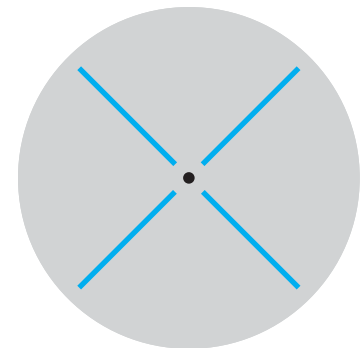


ARM:RPTR (contact factory)



**Round Pole Tenon Reducers available for 3", 4", & 5" O.D. Poles**

### PHOTOMETRICS (See Complete IES File)



**Type V Distribution**