

**** AVAILABLE ****

Bi-Level Dimming
100% 50%

0 - 10V
FULL DIMMING

Not all products are qualified on the DLC QPL. To view our DLC qualified products, please consult the DLC Qualified Products List at www.designlights.org/qpl

Incredible 100,000 hrs

GENERAL DESCRIPTION

Neptun's LED Full Cut-Off Wall Pack fixtures feature classic form and durability to make it an excellent choice for new construction or retrofit applications. LED-21 series fixtures feature high output LED's and custom engineered optics to provide excellent uniformity and efficiency. It can replace existing HID & HPS fixtures up to 250 Watts.

APPLICATION

- Building Accent Lighting
- Landscape Lighting
- Security Lighting
- Parking Lot Lighting
- Area Lighting
- Storage Area Lighting
- Stairwell Lighting
- Passageway Lighting

STRUCTURE, MATERIALS, & FEATURES

- Heavy-gauge, die-cast aluminum housing.
- Heat and impact resistant flat glass lens.
- Corrosion resistant electrocoat dark bronze finish (custom colors available).
- Hinged aluminum door frame incorporates stainless steel hardware.
- Continuous silicone gasket surrounds lens for weather - tight seal.
- Correlated Color Temperature of (5000°K) for greater visibility and safety.
- High Output COB LED's with borosilicate glass lens optics.
- High power factor, low THD driver with 6kV/3kA surge protection. Optional 20kV/10kA surge protector available.
- InstantON flicker-free Cold Start and Hot Re-Start.
- Up to 15 years Maintenance free operation.
- 5 Year Warranty on complete fixture. (LED's, Driver, & Housing)
- **Optional:** Bi-Level Dimming, 0-10V Dimming, Remote Monitoring and ON/ OFF Control, DC 24V Operation - Solar Compatible

ORDERING INFORMATION

Sample Number: LED-21080FCT-UNV-0-10VDIM-850-LD-120-BRZ
Custom options and accessories available. Please consult factory

Series	Wattage	Lens	Voltage	Options	Color Temp	Accessories	Color
LED-21 = Wall Pack	080 = 80 W 100 = 100 W	FCT = Full Cut-Off Type	UNV = 120-277 VAC 347V = 347 VAC 480V = 480 VAC 24VDC = 24VDC	0-10VDIM = 0-10V Dimming BL-DIM = Bi-Level Dimming * * Includes Motion Sensor ** Contact Factory for dimming options	835 = 3500°K 841 = 4100°K 850 = 5000°K * * Standard	LD-120V = Photocell 120VAC LD-277V = Photocell 277VAC MD = Motion Sensor ON/OFF SP = 20kV/10kA surge protector	BRZ = Bronze * Custom Colors Available



lightinnovations@work™

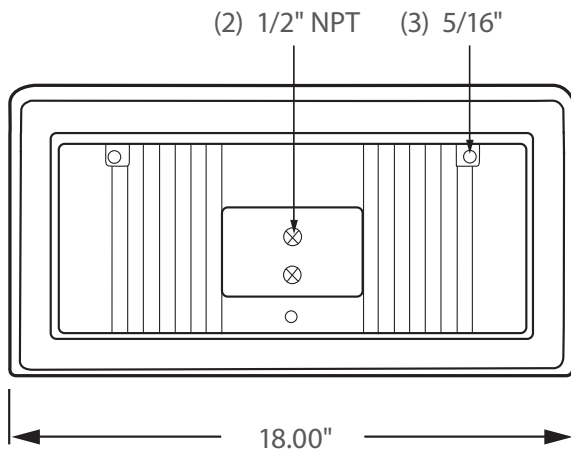
PRODUCT INFORMATION

Model No.	Description	Rated Watts	Input Watts	Delivered Lumens	Universal Line Voltage (VAC)	Max Line Current (Amp) @ 120 - 277	THD	Power Factor	Weight
LED-21080FCT-UNV	Wall Pack - Full Cut-Off	80	83	8,800	120-277	0.69 - 0.30	<20%	>0.90	20 lbs
LED-21100FCT-UNV	Wall Pack - Full Cut-Off	100	102	11,000	120-277	0.87 - 0.37	<20%	>0.90	20 lbs

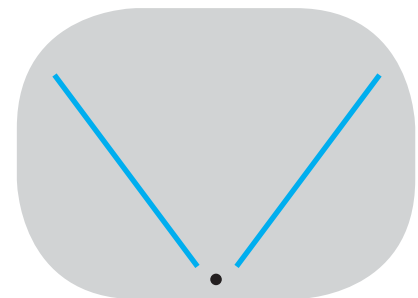
SPECIFICATIONS

- Driver Constant Current
- Start Method InstantON
- Hot Re-start InstantON
- Power Supply 350mA
- Driver UL Rating Class 1
- Driver UL Outdoor Rated Wet Location
- Sound Rating Class A
- ANSI Surge Protection IEEE C62.41 C High
- Driver Off-State Draw 0 Watts
- Universal Input Line Voltage 120-277 VAC
- Input Line Frequency 50/60 Hz
- Projected (L70) @ 25°C > 100,000 hrs.
- Color Temperature 5,000°K
- Color Rendering Index (CRI) > 80
- Minimum Starting Temperature -40°C
- Maximum Starting Temperature +50°C
- Lumens per Watt > 100
- Shock / Vibration Resistant Yes
- Power Factor > 0.90
- Total Harmonic Distortion < 20%
- Inrush Current Peak < 10 Amp
- FCC Compliance Part 15, Subp. C
- ETL Listed / UL Standard 1598 Yes
- Housing IP Rating IP65
- Driver IP Rating IP67
- Warranty 5 Year

MOUNTING OPTIONS



PHOTOMETRICS (See Complete IES File)



Type IV Distribution