

Project:	
Notes:	
Type:	Date:
Catalog #:	

PORTORINDUSTRY

LED SHOEBOX/ AREA LIGHT

HG-SL-150W SERIES



APPLICATIONS

- Parking Lots
- Urban Roads
- Industrial Areas
- Car Dealerships
- Walkways
- Schools/ Campuses
- Shopping Centers
- Parks/Gardens



IP65

LM-79
TM-21



SPECIFICATION FEATURES

CONSTRUCTION

Body is Low-Profile Die-Cast Aluminum Housing and has a Sleek Design. Built rugged for outdoor weather and waterproof.

ELECTRICAL

Luminaire is built with the highest quality 120-277VAC Universal Drivers or Optional 347-480VAC Drivers and Water Resistant LED Chips.

OPTICAL SYSTEM

Designed to reduce glare and improved light distribution through precision formed lens optics. Type III & Type V Optics Available

CONTROLS AND DIMMING

0-10V Dimmable Standard. Photocell Ready
Motion Sensor/Daylight Harvesting Ready

INSTALLATION

Fixture comes standard with Slip-Fitter or Square-Pole Mount or Round-Pole Mount. Optional: Wall Mount Trunnion.

CERTIFICATION AND WARRANTY

ETL Wet Listed, IP65, FCC, RoHS, & DLC Premium Listed on QPL.
7 Year Warranty.

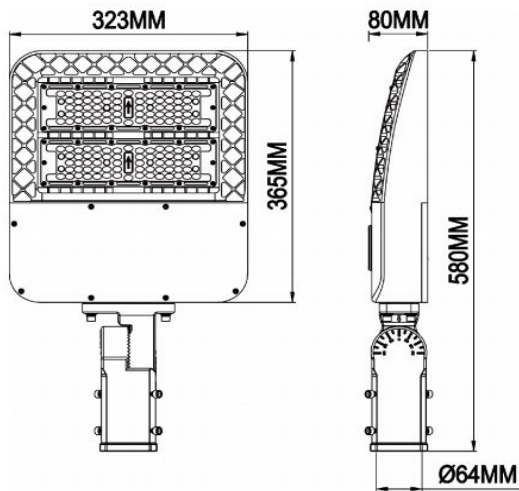
MODEL NUMBER(S)

MODEL #	WATTS	LUMENS PER WATT	LUMENS	COLOR TEMPERATURE	CRI	OPTICS	LIFE HOURS	INPUT VOLTAGE
HG-SL-100W	100	130	13,143	5000K	82	TYPE 3	50,000	AC 120/277V
HG-SL-150W	150	140	17,531	5000K	82	TYPE 3	50,000	AC 120/277V
HG-SL-200W	200	134	26,480	5000K	82	TYPE 3	50,000	AC 120/277V
HG-SL-300W	300	120	37,736	5000K	82	TYPE 3	50,000	AC 120/277V

LED SHOEBOX/ AREA LIGHT

HG-SL-150W SERIES

DIMENSIONS



ACCESSORIES



TECHNICAL SUMMARY

HG-SL-150W	
INPUT WATTS	150 Watts
INPUT VOLTAGE	AC 120-277V / AC 347-480V
POWER FREQUENCY	50 / 60 Hz
EFFICACY	140 lm/W
DELIVERED LUMENS	17,531 LM
CCT	5000K
CRI	Ra>80
LIGHTING ANGLE	TYPE 3 / TYPE 5
WORKING TEMPERATURE	-40°C - +50°C
STORAGE TEMPERATURE	-40°C - +60°C
IP RATING	IP65 Wet Location
CERTIFICATION	ETL CE FCC DLC Premium
WARRANTY TIME	7 Years
LED DRIVER	Sosen
LED CHIP	Seoul
OPTIONAL ACCESSORY	Surge Protection/ Shorting Cap/ Photocell Sensor/ Microwave Motion Sensor
DIMMABLE	0-10V
POWER FACTOR	>0.9
THD	≤10%
PORTOR ITEM NUMBER	PT-ALG-150W

PHOTOMETRIC DATA

