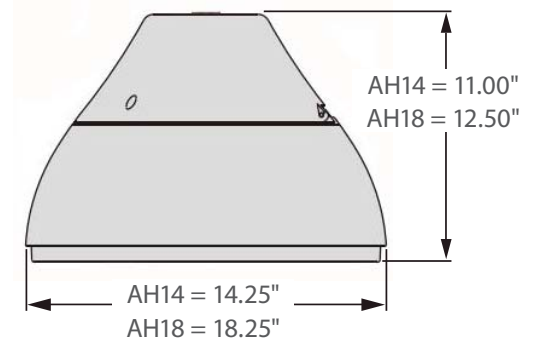




OUTDOOR RATED
IP65

**** AVAILABLE ****
0 - 10V
FULL DIMMING



Incredible **100,000 hrs**

GENERAL DESCRIPTION

Neptun's LED Architectural Low/High-Bay fixtures combine architectural design and versatility to make it an excellent choice for new construction or retrofit applications. The high-bay fixture features high output COB's for optimum lumen output. Offered in multiple color options and custom colors for retail or showroom designs. It can replace existing HID & HPS fixtures up to 400W.

APPLICATION

- Retail Lighting
- Pool Lighting
- Convention Center Lighting
- Showroom Lighting
- Factory Lighting

STRUCTURE, MATERIALS, & FEATURES

- Heavy gauge die-cast aluminum housing. (IP65 rated)
- Corrosion resistant electrocoat finish (custom colors available).
- Custom ring color options available.
- Heat and impact resistant glass lens.
- High performance Thermal Management system.
- High Output COB LED's with sealed optics (IP68 rated)
- High power factor, low THD driver with 6kV/3kA surge protection.
- Instant-On flicker-free Cold Start and Hot Re-Start.
- Bright white light (5000°K) for greater visibility and safety.
- Up to 15 year maintenance free operation.
- 5 Year Warranty on complete fixture. (LED's, Driver, & Housing)
- **Optional:** 0-10V Dimming, Wi-Fi Control, Remote Monitoring and ON/ OFF Control

ORDERING INFORMATION

Sample Number: LED-AH14-080-UNV-0-10VDIM-850-GRY-RC-WHT-C3
Custom options and accessories available. Please consult factory

Series	Wattage	Voltage	Options	CCT	Color	Options
LED-AH	14-060 = 60W 14-080 = 80W 14-100 = 100W 18-120 = 120W 18-150 = 150W	UNV = 120-277 VAC 347V = 347 VAC 480V = 480 VAC	0-10VDIM = 0-10V Dimming ** Contact Factory for dimming options.	835 = 3500°K 841 = 4100°K 850 = 5000°K * * Standard	GRY = Grey BLK = Black WHT = White	RC-xxx = Ring Color (xxx = color callout) C3* = 3' Cord-No Plug (other lengths available C6 = 6' cord) PC3 = 3' Cord with NEMA Plug (verify plug type when ordering) PDM = 1/2" NPT pendant mount * Standard



PRODUCT INFORMATION

Model No.	Description	Rated Watts	Input Watts	Delivered Lumens	Universal Line Voltage (VAC)	Max Line Current (Amp) @ 120 - 277	THD	Power Factor	Weight
LED-AH14-060-UNV	Low-Bay Fixture	60	62	7,200	120-277	0.52 - 0.22	<20%	>0.90	18 lbs
LED-AH14-080-UNV	Low-Bay Fixture	80	82	9,600	120-277	0.69 - 0.30	<20%	>0.90	18 lbs
LED-AH14-100-UNV	Low-Bay Fixture	100	102	12,000	120-277	0.87 - 0.37	<20%	>0.90	18 lbs
LED-AH18-120-UNV	High-Bay Fixture	120	122	14,400	120-277	1.05 - 0.45	<20%	>0.90	28 lbs
LED-AH18-150-UNV	High-Bay Fixture	150	152	18,000	120-277	1.31 - 0.56	<20%	>0.90	28 lbs

SPECIFICATIONS

- Driver Constant Current
- Start Method InstantON
- Hot Re-start InstantON
- Power Supply 350mA
- Driver UL Rating Class 1
- Driver UL Outdoor Rated Wet Location
- Sound Rating Class A
- ANSI Surge Protection IEEE C62.41 C High
- Driver Off-State Draw 0 Watts
- Universal Input Line Voltage 120-277 VAC
- Input Line Frequency 50/60 Hz
- Projected (L70) @ 25°C > 100,000 hrs.
- Color Temperature 5,000°K
- Color Rendering Index (CRI) > 80
- Minimum Starting Temperature -40°C
- Maximum Starting Temperature +50°C
- Lumens per Watt > 105
- Shock / Vibration Resistant Yes
- Power Factor > 0.90
- Total Harmonic Distortion < 20%
- Inrush Current Peak < 10 Amp
- FCC Compliance Part 15, Subp. C
- Housing IP Rating IP65
- Optics IP Rating IP68
- Driver IP Rating IP67
- Warranty 5 Year

MOUNTING OPTIONS

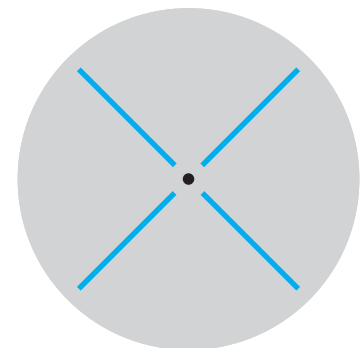
Hook Mount
(Standard)



Pendant Mount
(1/2" NPT)



PHOTOMETRICS (See Complete IES File)



Type V Distribution