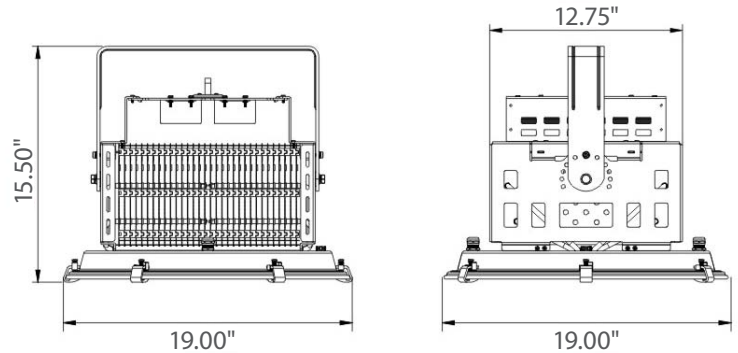


### REPLACEMENT FOR 1500W HID



\*\* AVAILABLE \*\*

0 - 10V  
FULL DIMMING



## Incredible 100,000 hrs

### GENERAL DESCRIPTION

Neptun's LED Sports Lighter fixture features an architectural design and durability to be used in new construction or retrofit applications. The LED-SL60 series fixture features excellent optics and its rugged design allows for use in a variety of indoor and outdoor applications. It can replace existing HID & HPS fixtures up to 1500 Watts.

### APPLICATION

- Sports Field Lighting
- Sports Arena Lighting
- Gymnasium Lighting
- High-Mast Lighting
- Yard Lighting
- Area & Storage Lighting

### STRUCTURE, MATERIALS, & FEATURES

- Heavy-gauge, die-cast aluminum housing with cooling fins.
- Heat and impact resistant tempered glass lens with anti-glare diffuser.
- Continuous silicone gasket surrounds lens for weather - tight seal.
- Instant-On flicker-free Cold Start and Hot Re-Start.
- Bright white light (5000°K) for greater visibility and safety.
- LED engine design with Advanced Thermal Management.
- High Output LED's.
- High power factor, low THD driver with 6kV/3kA surge protection. Optional 20kV/10kA surge protector available.
- Up to 15 year maintenance free operation.
- 5 Year Warranty on complete fixture. (LED's, Driver, & Housing)
- **Optional:** 0-10V Dimming, Wi-Fi Control, Remote Monitoring and ON/ OFF Control

### ORDERING INFORMATION

Sample Number: LED-SL60-500-UNV-0-10VDIM-850-B06-LD  
Custom options and accessories available. Please consult factory

Series	Wattage	Voltage	Options	Color Temp	Beam Angle	Accessories
<b>LED-SL60</b> = Sports Lighter	<b>250</b> = 250 W <b>500</b> = 500 W	<b>UNV</b> = 120-277 VAC <b>347V</b> = 347 VAC <b>480V</b> = 480 VAC	<b>0-10VDIM</b> = 0-10V Dimming * Contact Factory for dimming options.	<b>835</b> = 3500°K <b>841</b> = 4100°K <b>850</b> = 5000°K * * Standard	<b>B06</b> = 6° Beam <b>B10</b> = 10° Beam <b>B20</b> = 20° Beam <b>B25</b> = 25° Beam <b>B30</b> = 30° Beam <b>B60</b> = 60° Beam	<b>LD</b> = Twist-Lock Photocell <b>SP</b> = 20kV/10kA surge protector <b>C3*</b> = 3' Cord-No Plug (other lengths available by specifying cord length C6 = 6' cord) <b>PC3</b> = 3' Cord with NEMA Plug (verify plug type when ordering) * Standard



### PRODUCT INFORMATION

Model No.	Description	Rated Watts	Input Watts	Delivered Lumens	Universal Line Voltage (VAC)	Max Line Current (Amp) @ 120 - 277	THD	Power Factor	Weight
LED-SL60-250-UNV	LED Sports Lighter	250	252	25,000	120-277	2.18 - 0.94	<20%	>0.90	60 lbs
LED-SL60-500-UNV	LED Sports Lighter	500	502	50,000	120-277	4.37 - 1.89	<20%	>0.90	60 lbs

### SPECIFICATIONS

- Driver ..... Constant Current
- Start Method ..... InstantON
- Hot Re-start ..... InstantON
- Power Supply ..... 350mA
- Driver UL Rating ..... Class 1
- Driver UL Outdoor Rated ..... Wet Location
- Sound Rating ..... Class A
- ANSI Surge Protection ..... IEEE C62.41 C High
- Driver Off-State Draw ..... 0 Watts
- Universal Input Line Voltage ..... 120-277 VAC
- Input Line Frequency ..... 50/60 Hz
- Projected (L70) @ 25°C ..... > 100,000 hrs.
- Color Temperature ..... 5,000°K
- Color Rendering Index (CRI) ..... > 80
- Beam Angle ..... 6°/10°/20°/25°/30°/60°
- Minimum Starting Temperature ..... -40°C
- Maximum Starting Temperature ..... +50°C
- Lumens per Watt ..... > 90
- Shock / Vibration Resistant ..... Yes
- Power Factor ..... > 0.90
- Total Harmonic Distortion ..... < 20%
- Inrush Current Peak ..... < 10 Amp
- FCC Compliance ..... Part 15, Subp. C
- Housing IP Rating ..... IP65
- Driver IP Rating ..... IP67
- Warranty ..... 5 Year

### MOUNTING OPTIONS

ADJUSTABLE  
YOKE BRACKET



### PHOTOMETRICS (See Complete IES File)

