

Incredible **40,000 hrs**

GENERAL DESCRIPTION

Neptun's 6" LED Downlight Retrofit kits feature rugged design and versatility to make it an excellent choice for new construction or retrofit applications. The LED-DL6 series retrofit kit features excellent optics for increased visibility. The 120V Analog/Triac dimming ensures increased energy savings. Offered in a variety of wattages and color temperatures, it can replace existing Incandescent systems up to 85 Watts.

APPLICATION

- Hotel Lighting
- Soffit Lighting
- Hallway Lighting
- Office Lighting
- Corridor Lighting

STRUCTURE, MATERIALS, & FEATURES

- Frosted polycarbonate lens over LED's for even illumination.
- Cast aluminum heat sink and frame for excellent thermal management.
- Flicker Free Analog/Triac dimming system operates on 120VAC.
- Offered in various color temperatures. (2700°, 3000°K, 4100°K, 5000°K)
- Supplied with E26 base adapter to easily install in existing can lighting.
- Instant-On flicker-free Cold Start and Hot Re-Start.
- High power factor, low THD driver.
- High Output LED's.
- Up to 15 year maintenance free operation.
- 5 Year Warranty.

ORDERING INFORMATION

Sample Number: LED-DL6-012-120V-ADIM-827
Custom options and accessories available. Please consult factory

| Series | Wattage | Driver | Color Temp |
|---------------------------------|--------------------------|---|--|
| LED-DL6 = 6" Downlight Retrofit | 012 = 12 W 015 = 15 W | 120V-ADIM = 120VAC Analog/Triac Dimming | 827 = 2700°K 830 = 3000°K 841 = 4100°K 850 = 5000°K |



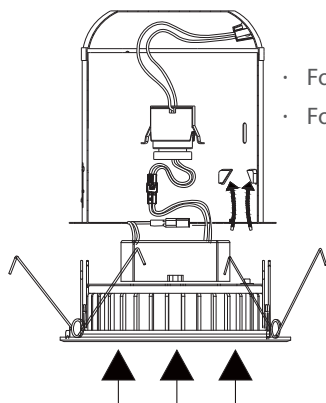
PRODUCT INFORMATION

| Model No. | Watts | Input Line Current @ 120VAC | Power Factor | THD | Color Temp. CCT (°K) | CRI | Lumens | Lm/W | Beam Angle |
|---------------------------|-------|-----------------------------|--------------|------|----------------------|-----|--------|------|------------|
| LED-DL6-012-120V-ADIM-827 | 12 | 0.105A | >0.90 | <20% | 2,700° | >80 | 1,000 | 83 | 90° |
| LED-DL6-012-120V-ADIM-830 | 12 | 0.105A | >0.90 | <20% | 3,000° | >80 | 1,040 | 86 | 90° |
| LED-DL6-012-120V-ADIM-841 | 12 | 0.105A | >0.90 | <20% | 4,000° | >80 | 1,060 | 88 | 90° |
| LED-DL6-012-120V-ADIM-850 | 12 | 0.105A | >0.90 | <20% | 5,000° | >80 | 1,100 | 90 | 90° |
| LED-DL6-015-120V-ADIM-827 | 15 | 0.131A | >0.90 | <20% | 2,700° | >80 | 1,200 | 80 | 90° |
| LED-DL6-015-120V-ADIM-830 | 15 | 0.131A | >0.90 | <20% | 3,000° | >80 | 1,240 | 82 | 90° |
| LED-DL6-015-120V-ADIM-841 | 15 | 0.131A | >0.90 | <20% | 4,000° | >80 | 1,260 | 84 | 90° |
| LED-DL6-015-120V-ADIM-850 | 15 | 0.131A | >0.90 | <20% | 5,000° | >80 | 1,300 | 86 | 90° |

SPECIFICATIONS

- LED Driver Constant Current
- Dimming System 120VAC Analog/Triac
- Power Supply 350mA
- Start Method InstantON
- Hot Re-start InstantON
- Input Line Voltage 120 VAC
- Input Line Frequency 50/60 Hz
- Ballast Off-State Draw 0 Watts
- Sound Rating Class A
- LED / Driver System Life 40,000 Hrs.
- Color Temperature Various
- Color Rendering Index (CRI) > 80
- Minimum Starting Temperature -10°C
- Maximum Starting Temperature 45°C
- Lumens per Watt > 70
- Shock / Vibration Resistant Yes
- Power Factor > 0.90
- Total Harmonic Distortion < 20%
- IP Rating IP20
- UL Listed Yes
- FCC Compliance Part 15, Subp. C
- Warranty 5 Year

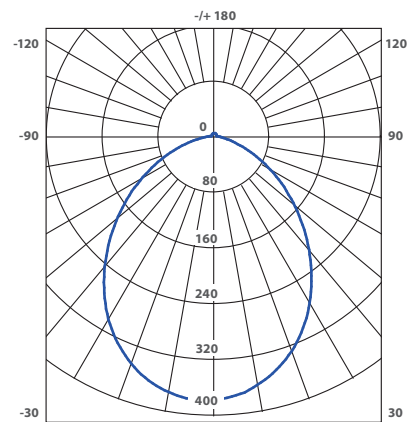
MOUNTING (See Complete Installation Instructions)



- For existing 6" in. diameter cans / downlights
- For screw-in Medium (E26) base socket

PHOTOMETRICS

Polar Intensity Diagram



Unit: cd
Average Beam Angle (50%): 92.1 DEG