

# DEFENDER-S

NJZ-FEL-C Series



UL844

Class I Division 1, Group C, D

Class I Division 2, Group A, B, C, D

Class II Division 2, Group F, G

Class III

UL1598A

Ex d IIB T6 Gb/Ex tb IIIC T85 °C Db



# FEATURES



Defender-S explosion-proof light uses simple profile, separated chamber for driver and light source makes brilliant heat dissipation and ensures longer lifespan.



Die casting aluminum alloy ensures high body intensity and excellent thermal dissipation performance, makes better heat dissipation and less lumen depreciation.



5 Years Warranty



Long Life  
50000 Hours

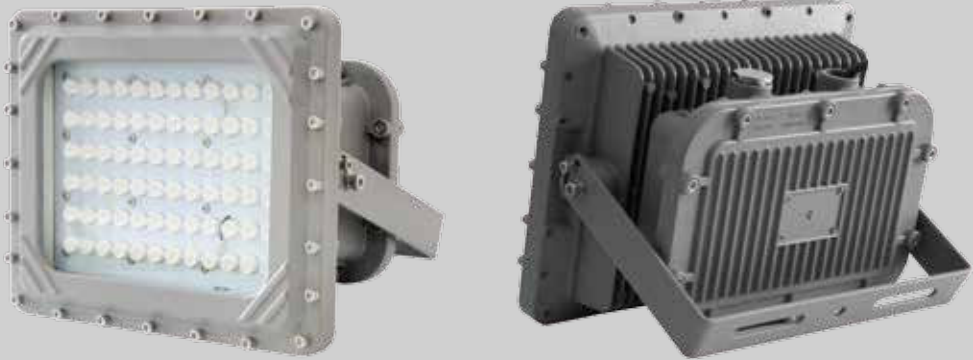


IP 66



130lm/w

# FEATURES



Optional lens avail with various light distribution and applicable in different locations.



Adjustable mounting bracket makes flexible and convenient installations.



0-180 ° adjustable bracket



Multi-angle optical lens



Quality stainless steel nameplate



Ceiling, wall-mounted bracket



# INSTALLATION

Installation :

The mounting bracket is for the use of wall/ceiling/floor mounting.

Position the mounting bracket and fix it by means of two M6 and two M8 hexagon bolts with spring lock washers.

Secure the wall/ceiling/floor mounting bracket to the structure by using screws (not provided). (Figure 1)

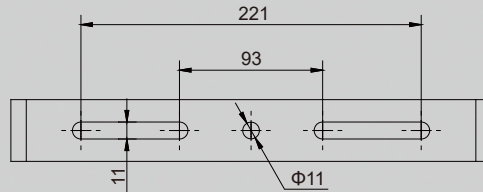


Fig.1

## Ceiling Type

The luminaire can be adjusted facing down  $90^\circ$  from vertical = Lens horizontal facing down on ceiling position. (Figure 2).

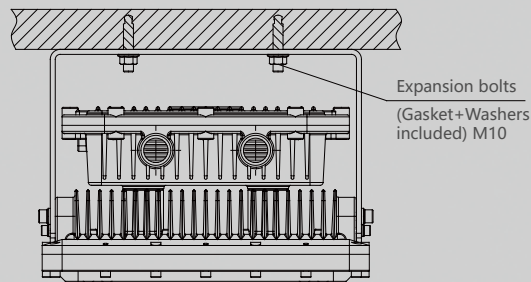


Fig.2

## Wall/floor Type

The luminaire can be adjusted up and down by  $45^\circ$  on wall/floor position only. (Figure 3).

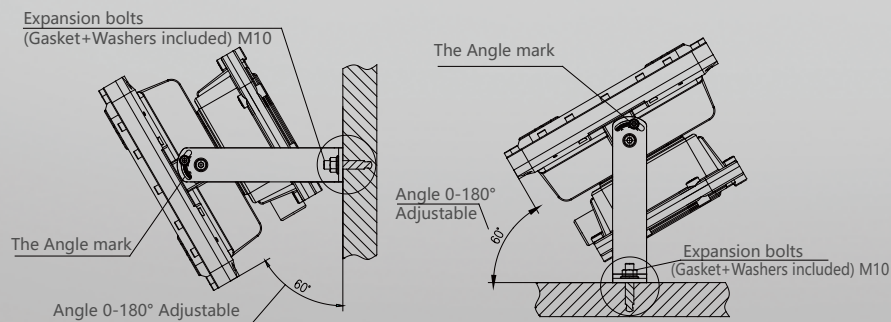


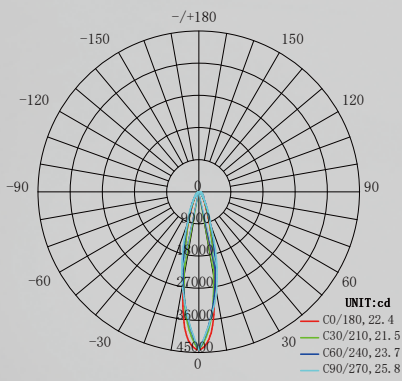
Fig.3

# PARAMETER

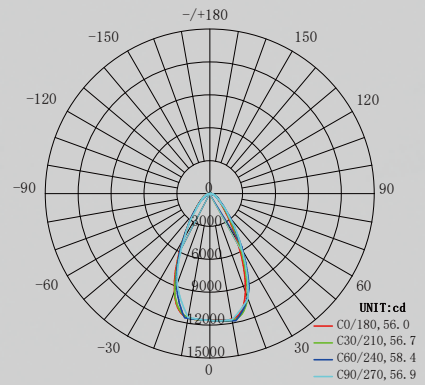
Technical Parameter	Specification	NJZ-FEL-C-080	NJZ-FEL-C-100	NJZ-FEL-C-150
Electrical	Rated Power	80W	100W	150W
	Input Voltage	100-240/277, 200-480 Vac		
	Input Frequency	50/60Hz		
	Output Voltage	DC36		
	Power Factor	≥0.95		
	Driver Efficiency	≥90%		
	DC output Ripple & Noise	<200mVP-P		
	Driver brand	Meanwell		
LED chip brand	Cree			
Optical	Lumen Output	10400Lm	13000Lm	19500Lm
	Lumens per Watt	130Lm/W		
	Beam Angle	25°/60°/120°		
	Correlated Color Temperature (CCT)	5000K		
	Color Rendering Index (CRI)	Ra>70		
Environmental	Ambient Operating Humidity	10%~90% RH		
	Ambient Operating Temperature	-40°C ~ +60°C		
	Optimal Operating Temperature	25°C (77°F)		
	Atmospheric pressure	86~106KPa		
	Altitude of installation site	<2000m		
	Installation site	No severe vibration, shock or shake		
	Housing Material	ADC12		
Mechanical	Lens Material	Tempered glass		
	Mounting Options	Ceiling type /Wall type/Floor type		
	IP Rating	IP66		
	IK Rating	IK08		
	Net weight	15kg/33.1lbs	15kg/33.1lbs	16.5kg/36.4lbs
	Dimensions (L×W×H)	335×280×176 mm 13.2×11×6.9in		
Packing	Total weight (KG)	16kg/35.3lbs	16kg/35.3lbs	17.5kg/38.6lbs
	Dimensions (L×W×H)	370×362×245 mm 14.6×14.3×9.64in		
Warranty	5-Year & L70@50,000Hrs			
Certification	UL844/UL1598/UL1598A/IECEX/FCC/DLC Premium			

specifications subject to change

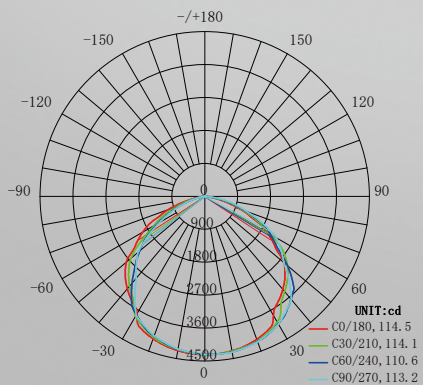
# APPLICATION



AVERAGE BEAM ANGLE(50%):23.4 DEG



AVERAGE BEAM ANGLE(50%):57.0 DEG



AVERAGE BEAM ANGLE(50%):113.1 DEG

