

DATE	
PROJECT	
TYPE	
NOTE	
PREPARED BY	

SM/LG-CLP-BELL

Architectural LED Area Light



Available in two sizes, the **CLP-BELL**, is ideal for locations such as residential exteriors, walkways, perimeters, school campuses, industrial/commercial spaces, and any other outdoor setting that is looking to create an inviting and sophisticated atmosphere. We have also designed this fixture to tolerate wet locations. To add on, the **CLP-BELL** has a wide light distribution. For your convenience, we have included a 10 year/100,000 hour limited warranty with your investment.

FEATURES

- Energy Savings: Over 60% compared to HID light sources
- Warranty: Comes with a limited 10 Year Warranty
- Utilizes high efficient Phillips® Lumiled LED's
- Operating temperatures: -30°C ~ 60°C
- Driver: 0-10v dimmable programmable Phillips driver, 120-277v, 50/60Hz,
- Suitable for wet locations
- Electrical Protection: Comes with a Philips 10Kv surge protector
- Operating Life: 200,000 hours (L70)

CONSTRUCTION

- Housing is formed with aluminum material and IP65 rated.
- Mounts onto 3" Pole - Consult factory for other sizes
- Powder coat Bronze, various colors available (custom).
- 98% Efficient Optics - Full choice of light distributions for design
- Cast Aluminum top for additional support

OPTIONS

- (OCC/DL) Occupancy/Daylight sensor
- (OCC) Occupancy sensor
- (PC) Button photo cell
- (HSS) House slide shield
- (WC) Wireless control

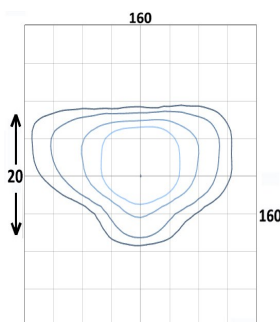


PHILIPS
LUMILEDS

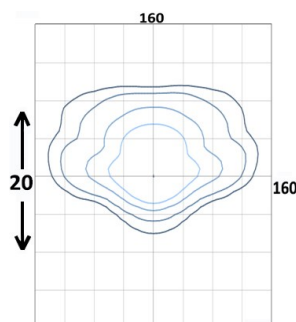


PHOTOMETRY

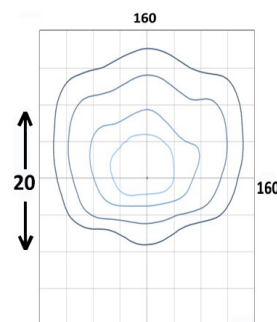
Type 2



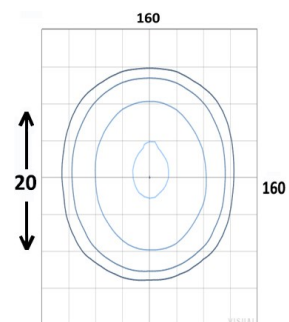
Type 3



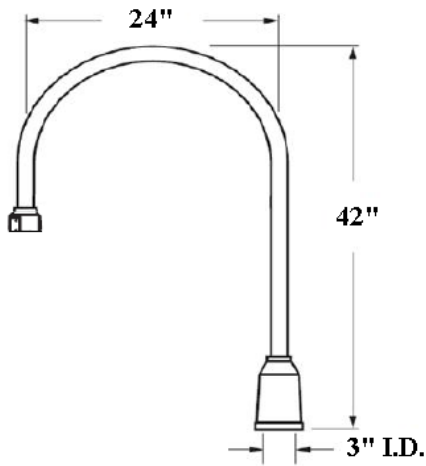
Type 4



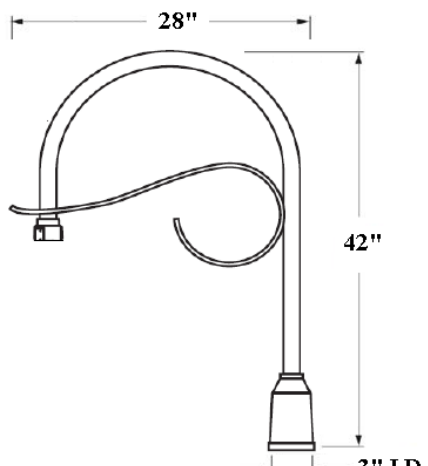
Type 5 (Standard)



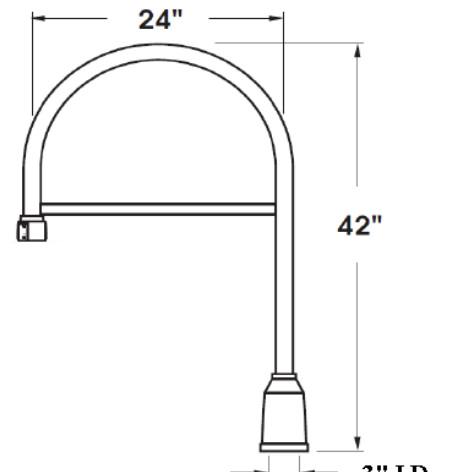
DECORATIVE ARMS



ARM1 (standard)

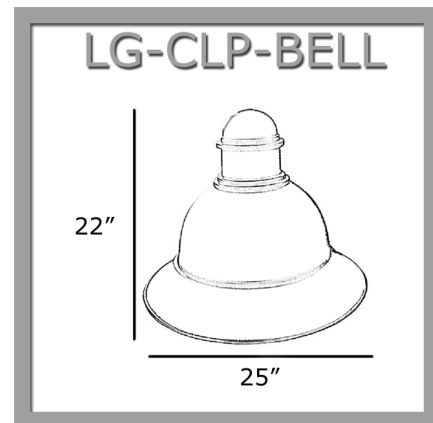
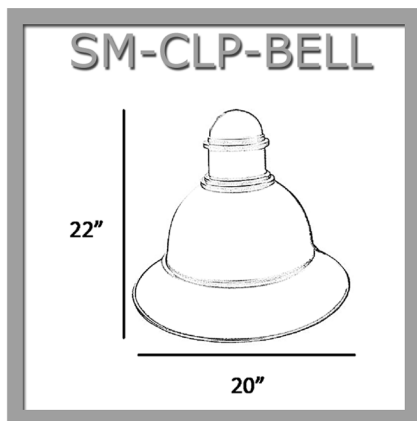


ARM2



ARM3

DIMENSIONS



Ordering Guide

Example: (SM-CLP-BELL-40HPLED-50-MV-T5-ARM1-BZ-PC)

SM-CLP-BELL LG-CLP-BELL	MODEL	WATTS	COLOR TEMP	VOLTAGE	DISTRIBUTION	ARM	FINISH	OPTIONS				
SM-CLP-BELL	40HPLED-40W	(Standard)	50-5000K	(Standard)	MV=120-277V	(Standard)	T5-TYPE 5	(Standard)	ARM1	BZ-BRONZE	(Add'l Charge)	PC- BUTTON PHOTOCELL
LG-CLP-BELL	50HPLED-50W	(Add'l Charge)	40-4000K	(Add'l Charge)	480-480V	(Add'l Charge)	T4-TYPE 4	(Add'l Charge)	ARM2	SIL-SILVER	OCC- OCCUPANCY SENSOR	OCC/DL-SEE PAGE 1 OPTIONS
	60HPLED-60W		30-3000K				T3-TYPE 3		ARM3	WH- WHITE	HSS- HOUSE SIDE SHIELD	
	80HPLED-80W						T2-TYPE 2			BLK-BLACK	WC- WIRE CONTROLS	
	100HPLED-100W									CUSTOM		
	120HPLED-120W											
	150HPLED-150W											
	180HPLED-180W											

	Drive Current	System Watts	Distribution Type	3000K				4000K				5000K			
				Lumens	B	U	G	Lumens	B	U	G	Lumens	B	U	G
1 Module	700mA	40W	T2	4,785	1	0	1	4,792	1	0	1	4,792	1	0	1
			T3	4,279	1	0	1	4,286	1	0	1	4,286	1	0	1
			T4	4,388	1	0	2	4,395	1	0	2	4,395	1	0	2
			T5	4,526	3	0	1	4,533	3	0	1	4,533	3	0	1
	860mA	50W	T2	5,232	1	0	1	5,606	1	0	1	5,606	1	0	1
			T3	4,680	1	0	1	5,014	1	0	1	5,014	1	0	1
			T4	4,799	1	0	2	5,142	1	0	2	5,142	1	0	2
			T5	4,949	3	0	1	5,303	3	0	1	5,303	3	0	1
	1050mA	60W	T2	6,368	2	0	1	6,375	2	0	1	6,375	2	0	1
			T3	6,391	2	0	1	6,398	2	0	1	6,398	2	0	1
			T4	6,423	2	0	1	6,430	2	0	1	6,430	2	0	1
			T5	6,448	3	0	1	6,455	3	0	1	6,455	3	0	1

2 Modules	700mA	80W	T2	9,570	1	0	1	9,584	1	0	1	9,584	1	0	1
			T3	8,558	1	0	1	8,572	1	0	1	8,572	1	0	1
			T4	8,776	1	0	2	8,790	1	0	2	8,790	1	0	2
			T5	9,052	3	0	1	9,066	3	0	1	9,066	3	0	1
	860mA	100W	T2	10,464	1	0	1	11,212	1	0	1	11,212	1	0	1
			T3	9,360	1	0	1	10,028	1	0	1	10,028	1	0	1
			T4	9,598	1	0	2	10,284	1	0	2	10,284	1	0	2
			T5	9,898	3	0	1	10,606	3	0	1	10,606	3	0	1
	1050mA	120W	T2	12,736	2	0	1	12,750	2	0	1	12,750	2	0	1
			T3	12,782	2	0	1	12,796	2	0	1	12,796	2	0	1
			T4	12,846	2	0	1	12,860	2	0	1	12,860	2	0	1
			T5	12,896	3	0	1	12,910	3	0	1	12,910	3	0	1

3 Modules	860mA	150W	T2	15,696	1	0	1	16,818	1	0	1	16,818	1	0	1
			T3	14,040	1	0	1	15,042	1	0	1	15,042	1	0	1
			T4	14,379	1	0	2	15,426	1	0	2	15,426	1	0	2
			T5	14,847	3	0	1	15,909	3	0	1	15,909	3	0	1
	1050mA	180W	T2	19,104	1	0	1	19,125	1	0	1	19,125	1	0	1
			T3	19,173	1	0	1	19,194	1	0	1	19,194	1	0	1
			T4	19,269	1	0	2	19,290	1	0	2	19,290	1	0	2
			T5	19,344	3	0	1	19,365	3	0	1	19,365	3	0	1