



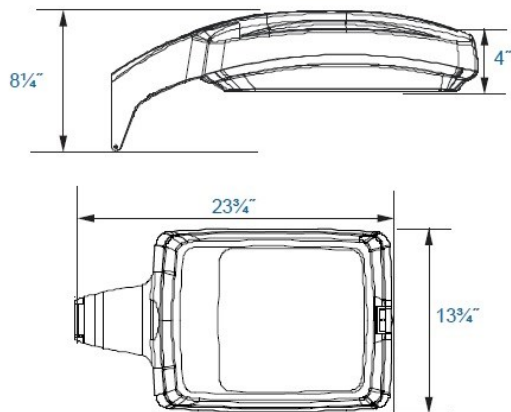
DATE	
PROJECT	
TYPE	
NOTE	
PREPARED BY	

## SM-CLP-KH

## Architectural LED area light fixture



Architectural LED area light fixture, suitable for wet locations. Perfect for lighting up residential exteriors, walkways, entry ways, perimeters, storage areas, parking garages, school campuses, Industrial/commercial spaces, wall washer, parking lots, recreational parks. This fixture has a wide light distribution. Comes with a 5 year/50,000 hour limited warranty.



### FEATURES

- Energy Savings: Over 66% compared to HID light sources
- Improved lumen maintenance
- Utilizes high efficient Phillips Lumiled LED's
- Operating temperatures: -30°C ~ 60°C
- Driver: Constant current, 120-277v, 50/60Hz, 480v (Optional)
- Suitable for wet locations
- Dimming, occupancy sensors, photo cell and wireless controls capable (optional)
- Operating Life: >60,000 hours

### CONSTRUCTION

- Housing is heavy-duty die-cast aluminum & hinged front door frame.
- 1/2" Coin plugs with O-rings for conduit, sensors or photo cell
- Powder coat bronze finish (standard) various colors available (custom).
- Clear glass lens standard, prismatic glass is optional
- Silicone gasket to prevent leakage and provide weather-tight protection.
- Mounting: Mounts directly onto a flat poles, optional round pole or wall mount adapters available

### OPTIONS

- (OCC) Motion sensor
- (PC) Button photo cell
- (EMR) Emergency battery backup
- (GS) Glare shield
- (WC) Wireless controls
- (PG) prismatic glass



Model Number	INPUT POWER	LUMEN OUTPUT	SCOPTIC	COLOR TEMP (CCT)	CRI	RATED LIFE (L70)	INPUT VOLTAGE	INPUT FREQUENCY	HID Equivalent
SM-CLP-KH-5CLED	7W	757	1,211	5000K	70+	>200,000	120-277V	50/60HZ	35w HPS
SM-CLP-KH-10CLED	12W	1,376	2,201	5000K	70+	>200,000	120-277V	50/60HZ	50w HPS
SM-CLP-KH-15CLED	20W	1,918	3,068	5000K	70+	>200,000	120-277V	50/60HZ	70w HPS
SM-CLP-KH-21CLED	25W	3,102	4,963	5000K	70+	>200,000	120-277V	50/60HZ	100w HPS
SM-CLP-KH-40CLED	45W	5,504	8,806	5000K	70+	>200,000	120-277V	50/60HZ	150w MH

### Ordering Guide

Example: (SM-CLP-KH-40CLED-50-MV-BZ-WC)

MODEL	WATTS	COLOR TEMP	VOLTAGE	FINISH	OPTIONS
SM-CLP-KH	5W-5CLED 10W-10CLED 15W-15CLED 21W-21CLED <b>40W-40CLED</b>	27-2700K 30-3000K 35-3500K 40-4000K <b>50-5000K</b> 57-5700K 65-6500K	MV=120-277V 480-480V	BZ- BRONZE GRY-GRAY BLK-BLACK WH- WHITE CUS-CUSTOM	OCC- MOTION SENSOR PC- BUTTON PHOTO CELL EMR- EMR BATTERY GS- GLARE SHIELD PG- PRISMATIC GLASS WC- WIRELESS CONTROL