



CRYSTAL SIGNATURE
CRYSTAL SIGNATURE

DATE	
PROJECT	
TYPE	
NOTE	
PREPARED BY	

CLP-SL-M-85-4

Clam Shell for Pole

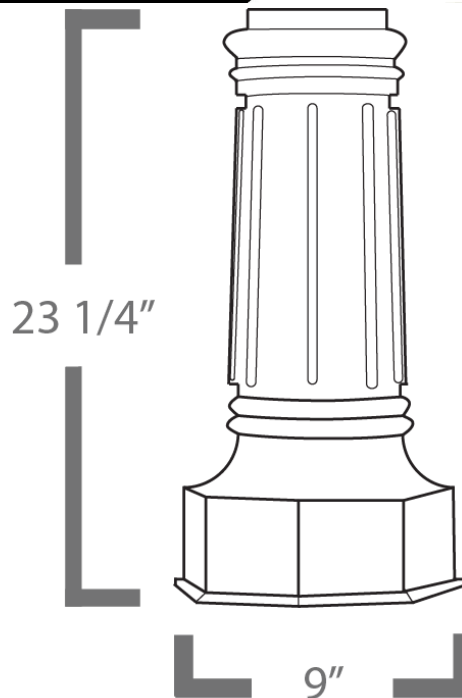


This base is ideal for traditional and contemporary environments. It is constructed with robust cast aluminum for guaranteed durability. The CLP-SL-M-85-4 is built with an octagonal design in the lower section. To add to the design, this base is also sculptured with a fluted column waist.

Finish Options

- BZ- BRONZE
- GRY- GRAY
- BLK- BLACK
- WH- WHITE
- CUS- CUSTOM

dimensions



Ordering Guide

CLP-SL-M-85-4

CS3R

BZ

A.

B.

C.

A. Item Number	CLP-SL-M-85-4
B. Clam Shell	<p>CS3R– Clam Shell 3” Round Pole</p> <p>CS4R– Clam Shell 4” Round Pole</p> <p>CS5R– Clam Shell 5” Round Pole</p>
C. Finish	<p>WH-WHITE</p> <p>BZ-BRONZE</p> <p>GR-GRAY</p> <p>BLK-BLACK</p> <p>CUS-CUSTOM</p>