



CRYSTAL SIGNATURE
CRYSTAL SIGNATURE

DATE	
PROJECT	
TYPE	
NOTE	
PREPARED BY	

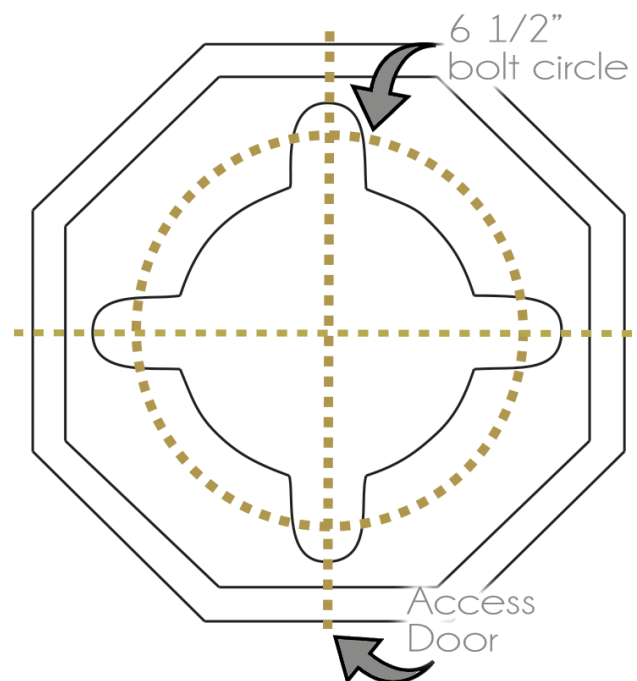
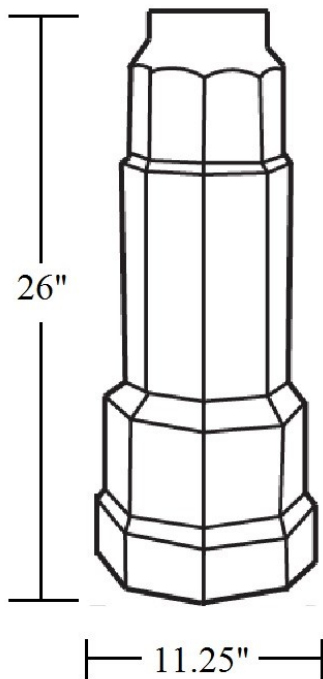
CLP-SL-X-120

Base for Pole

This octagonal base is constructed with cast aluminum. The **CLP-SL-X-120** has shaft sizes available in: 3", 4", and custom.



dimensions



Ordering Guide

Example: CLP-SL-X-120-4F12.188-BZ-GL

CLP-SL-M-10	4F12.188	BZ	GL
A.	B.	C.	D.

A. Item Number	CLP-SL-X-120
-----------------------	---------------------

B. Cast Base and Shaft	Shaft Diameter	Finished Height	Wall Thickness	Smooth Shaft Order #	Fluted Shaft Order #
	3"	8'	0.125	CLP-SL-X-120-3S8.125	CLP-SL-X-120-3F8.125
	3"	9'	0.125	CLP-SL-X-120-3S9.125	CLP-SL-X-120-3F9.125
	3"	10'	0.125	CLP-SL-X-120-3S10.125	
	3"	10'	0.188	CLP-SL-X-120-3S10.188	
	3"	11'	0.188	CLP-SL-X-120-3S11.188	
	3"	12'	0.188	CLP-SL-X-120-3S12.188	
	4"	10'	0.125	CLP-SL-X-120-4S10.125	
	4"	11'	0.125	CLP-SL-X-120-4S11.125	
	4"	12'	0.125	CLP-SL-X-120-4S12.125	
	4"	10'	0.188		CLP-SL-X-120-4F10.188
	4"	11'	0.188		CLP-SL-X-120-4F11.188
4"	12'	0.188		CLP-SL-X-120- 4F12.188	

C. Finish	BZ- BRONZE GRY- GRAY BLK- BLACK WH- WHITE CUS- CUSTOM
------------------	--------------------------------------------------------------------------

D. Options	GL- GROUND LUG
-------------------	-----------------------