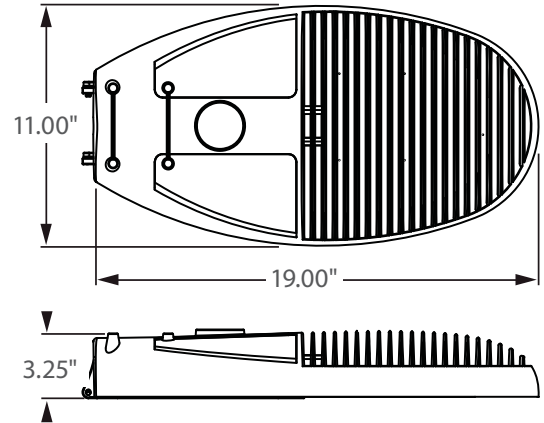




**\*\* AVAILABLE \*\***  
**0 - 10V**  
 FULL DIMMING  
 Bi-Level Dimming  
 100% 50%



Incredible **100,000 hrs**

### GENERAL DESCRIPTION

Neptun's LED Street Light fixtures combine architectural form and versatility to make it an excellent choice for new construction or retrofit applications. The LED-778 series fixture is offered in a variety of wattages to provide maximum flexibility in all types of applications. Custom engineered optics provide excellent uniformity and efficiency. It can replace existing HID & HPS fixtures up to 250W.

### APPLICATION

- Street Lighting
- Pathway Lighting
- Parking Lot Lighting
- Security Lighting
- Storage Area Lighting

### STRUCTURE, MATERIALS, & FEATURES

- Heavy-gauge, die-cast, low copper alloy aluminum housing with integral heat sink fins for excellent thermal management.
- Finish tested to withstand 2,000 hrs. of salt spray testing according to ASTM B117 and meets ASTM D523 gloss retention.
- Tool-Less entry housing w/ quick disconnect for easy installation.
- Internal Bubble Level for easy installation.
- Continuous silicone gasket surrounds lens for IP68 weather tight seal.
- Optional NEMA Twistlock Photocell for increased energy savings.
- High Output COB LED's with borosilicate glass lens optics.
- Amber LED Wavelength (585-595 nanometers) Sea Turtle Friendly.
- High power factor, low THD driver with 6kV/3kA surge protection. Optional 20kV/10kA surge protector available.
- InstantON flicker-free Cold Start and Hot Re-Start.
- Up to 20 years Maintenance free operation.
- 10 Year Warranty on complete fixture. (LED's, Driver, & Housing)
- **Optional:** 0-10V Dimming, Bi-Level Dimming, Wi-Fi Control.

### ORDERING INFORMATION

Sample Number: LED-778070-L3-UNV-0-10VDIM-AMB-LD-T2-GRY  
 Custom options and accessories available. Please consult factory

Series	Wattage	Voltage	Options	Color Temp	Accessories	Optics	Color
LED-778 = Street Light	070-L3 = 70 W 080-L3 = 80 W 090-L3 = 90 W	UNV = 120-277 VAC 347V = 347 VAC 480V = 480 VAC 24VDC = 24 VDC	0-10VDIM = 0-10V Dimming BL-DIM = Bi-Level Dimming * * Includes Motion Sensor * Contact factory for dimming options	AMB = Amber (585-595 nanometers)	LD = NEMA Twist-Lock Photocell & Receptical LDR-3P = 3-Pin Photocell Receptical LDR-7P = 7-Pin Photocell Receptical MD = Motion Sensor ON/OFF SP = 20kV/10kA surge protector HSGS = House Side Glare Shield BG = Bird Guard TMC = Dimmable Time Clock (to be used with LDR-7P)	T2 = Type 2 Distribution T2N = Type 2 Narrow Dist. T3 = Type 3 Distribution	GRY = Grey BRZ = Bronze * Custom Colors Available



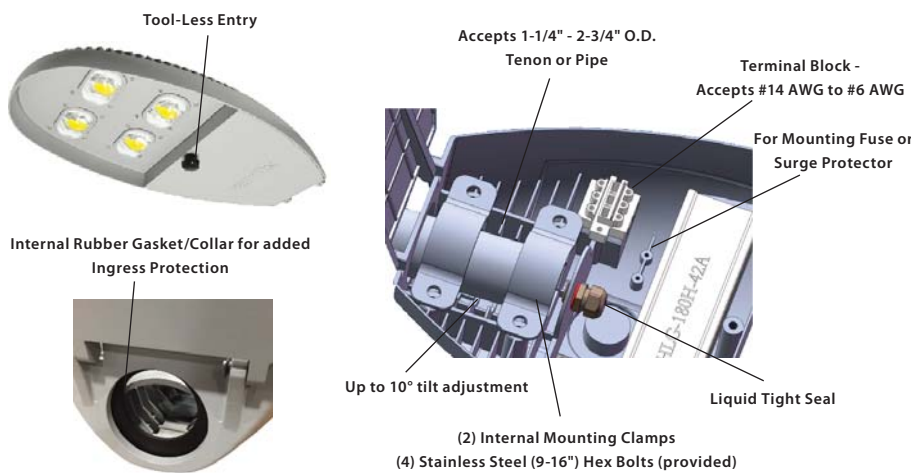
## PRODUCT INFORMATION

Model No.	Description	Rated Watts	Input Watts	Delivered Lumens	Universal Line Voltage (VAC)	Max Line Current (Amp) 120 - 277	THD	Power Factor	Weight
LED-778070-L3-UNV	LED Street Light	70	72	8,100	120-277	0.61 - 0.26	<20%	>0.90	12 lbs
LED-778080-L3-UNV	LED Street Light	80	82	9,200	120-277	0.69 - 0.30	<20%	>0.90	12 lbs
LED-778090-L3-UNV	LED Street Light	90	92	10,350	120-277	0.78 - 0.34	<20%	>0.90	12 lbs

## SPECIFICATIONS

- Driver ..... Constant Current
- Start Method ..... InstantON
- Hot Re-start ..... InstantON
- Power Supply ..... 350mA
- Driver UL Rating ..... Class 2
- Driver UL Outdoor Rated ..... Wet Location
- Sound Rating ..... Class A
- ANSI Surge Protection ..... IEEE C62.41 C High
- Current Crest Factor ..... 1.5 maximum
- Load Regulation: 5% output current variation across load range
- Line Regulation: 1% output voltage variation across voltage range
- Driver Off-State Draw ..... 0 Watts
- Vibration Rating ..... 3G (ANSI C136.31-2001)
- Universal Input Line Voltage ..... 120-277 VAC
- Input Line Frequency ..... 50/60 Hz
- Projected (L70) @ 25°C ..... > 100,000 hrs.
- BUG Rating ..... B2-U0-G2
- Wavelength ..... 585-595 nanometers
- Operating Temperature ..... -40°C to +50°C
- Lumens per Watt ..... > 120
- Shock / Vibration Resistant ..... Yes
- Power Factor ..... > 0.90
- Total Harmonic Distortion ..... < 20%
- Inrush Current Peak ..... < 10 Amp
- FCC Compliance ..... Part 15, Subp. C
- EPA Rating ..... 0.47 ft.<sup>2</sup>
- Housing IP Rating ..... IP66
- Driver IP Rating ..... IP67
- Optics IP Rating ..... IP68
- Warranty ..... 10 Year

## MOUNTING OPTIONS



## AMBER WAVELENGTH

