

**\*\* AVAILABLE \*\***

Bi-Level Dimming  
100% 50%

0 - 10V  
FULL DIMMING



Incredible **100,000** hrs

### GENERAL DESCRIPTION

Neptun's LED Full Cut-Off Wall Pack fixtures feature classic form and durability to make it an excellent choice for new construction or retrofit applications. LED-21 series fixtures feature high output LED's and custom engineered optics to provide excellent uniformity and efficiency. It can replace existing HID & HPS fixtures up to 150 Watts.

### APPLICATION

- Building Accent Lighting
- Landscape Lighting
- Security Lighting
- Parking Lot Lighting
- Area Lighting
- Storage Area Lighting
- Stairwell Lighting
- Passageway Lighting

### STRUCTURE, MATERIALS, & FEATURES

- Heavy-gauge, die-cast aluminum housing.
- Heat and impact resistant flat glass lens.
- Corrosion resistant electrocoat dark bronze finish (custom colors available).
- Hinged aluminum door frame incorporates stainless steel hardware.
- Continuous silicone gasket surrounds lens for weather - tight seal.
- Amber LED Wavelength (585-595 nanometers) Sea Turtle Friendly.
- High Output COB LED's with borosilicate glass lens optics.
- High power factor, low THD driver with 6kV/3kA surge protection. Optional 20kV/10kA surge protector available.
- InstantON flicker-free Cold Start and Hot Re-Start.
- Up to 20 years Maintenance free operation.
- 5 Year Warranty on complete fixture. (LED's, Driver, & Housing)
- **Optional:** Bi-Level Dimming, 0-10V Dimming, Remote Monitoring and ON/ OFF Control, DC 24V Operation - Solar Compatible

### ORDERING INFORMATION

Sample Number: LED-21040FCT-UNV-0-10VDIM-AMB-LD-120-BRZ  
Custom options and accessories available. Please consult factory

Series	Wattage	Lens	Voltage	Options	Color Temp	Accessories	Color
<b>LED-21</b> = Wall Pack	<b>040</b> = 40 W <b>055</b> = 55 W <b>070</b> = 70 W	<b>FCT</b> = Full Cut-Off Type	<b>UNV</b> = 120-277 VAC <b>347V</b> = 347 VAC <b>480V</b> = 480 VAC <b>24VDC</b> = 24VDC	<b>0-10VDIM</b> = 0-10V Dimming <b>BL-DIM</b> = Bi-Level Dimming * * Includes Motion Sensor ** Contact Factory for dimming options	<b>AMB</b> = Amber (585-595 nanometers)	<b>LD-120V</b> = Photocell 120VAC <b>LD-277V</b> = Photocell 277VAC <b>MD</b> = Motion Sensor ON/OFF <b>SP</b> = 20kV/10kA surge protector	<b>BRZ</b> = Bronze * Custom Colors Available



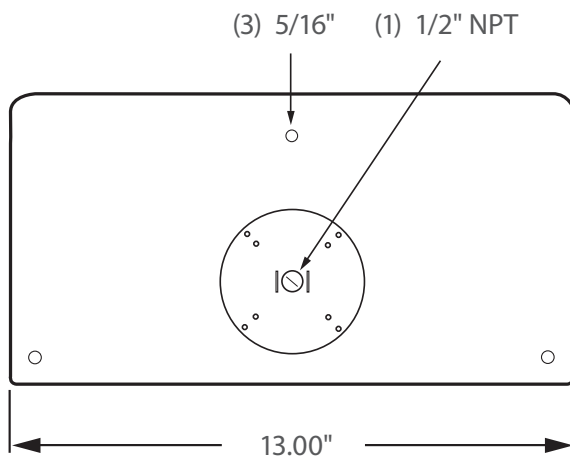
### PRODUCT INFORMATION

Model No.	Description	Rated Watts	Input Watts	Delivered Lumens	Universal Line Voltage (VAC)	Max Line Current (Amp) @ 120 - 277	THD	Power Factor	Weight
LED-21040FCT-UNV	Wall Pack - Full Cut-Off	40	43	4,000	120-277	0.35 - 0.15	<20%	>0.90	15 lbs
LED-21055FCT-UNV	Wall Pack - Full Cut-Off	55	58	5,500	120-277	0.48 - 0.20	<20%	>0.90	15 lbs
LED-21070FCT-UNV	Wall Pack - Full Cut-Off	70	73	7,000	120-277	0.61 - 0.26	<20%	>0.90	15 lbs

### SPECIFICATIONS

- Driver ..... Constant Current
- Start Method ..... InstantON
- Hot Re-start ..... InstantON
- Power Supply ..... 350mA
- Driver UL Rating ..... Class 1
- Driver UL Outdoor Rated ..... Wet Location
- Sound Rating ..... Class A
- ANSI Surge Protection ..... IEEE C62.41 C High
- Driver Off-State Draw ..... 0 Watts
- Universal Input Line Voltage ..... 120-277 VAC
- Input Line Frequency ..... 50/60 Hz
- Projected (L70) @ 25°C ..... > 100,000 hrs.
- Wavelength ..... 585-595 nanometers
- Minimum Starting Temperature ..... -40°C
- Maximum Starting Temperature ..... +50°C
- Lumens per Watt ..... > 100
- Shock / Vibration Resistant ..... Yes
- Power Factor ..... > 0.90
- Total Harmonic Distortion ..... < 20%
- Inrush Current Peak ..... < 10 Amp
- FCC Compliance ..... Part 15, Subp. C
- ETL Listed / UL Standard 1598 ..... Yes
- Housing IP Rating ..... IP65
- Driver IP Rating ..... IP67
- Warranty ..... 5 Year

### MOUNTING OPTIONS



### AMBER WAVELENGTH

