



HAZARDOUS LOCATIONS LIGHT SPECIFICATION



K Series





Ratings and Certifications

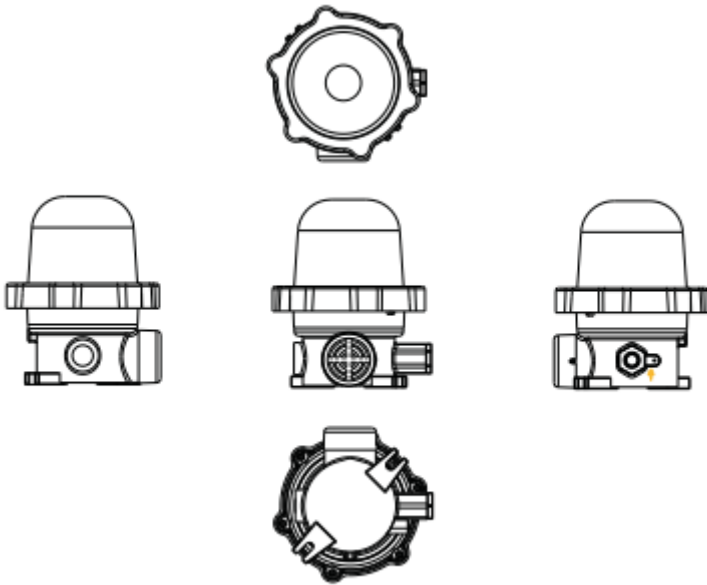
- NEMA 4X, IP66
- UL1598/UL1598A/UL844/UL924
- **CSA C22.2 No.137/No.250.0**
- Class I, Division 1, Groups C, D
- Class I, Division 2, Groups A, B, C, D
- Class II, Division 1, Groups E, F, G
- Class II, Division 2, Groups E, F, G
- Class III
- Marine and Wet Locations
- IECEX
- ATEX
- 5 years or other warranty period specified in agreement
- L70 rating for more than 150000 hours

Typical model specification

Product Number	Voltage	Volume	Warning Color	Warranty	Flash Number
EX-110d B EWD	AC100-2 77V	110dB	RED	5 years	150/min
EX -10 0d B EWD	AC100-2 77V	100dB	RED	5 years	150/min

Mechanical information

	Size(in)
AC 100 – 277 V Models	6.78 X 8.35

Structure Diagram**Technical Data**

Rated voltage AC:	AC100-277V
Power:	5W
Flash Number:	150/min
Sound Intensity:	>100 (dB)
Outside Diameter of Cable:	8-14mm