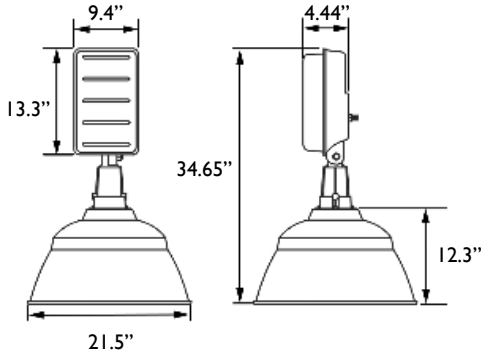


**FLOODLIGHT.XXL**  
 All products feature Noribachi's exclusive Bespoke Engineered and Specifically Tailored (BEST) manufacturing methodology.

CATALOG #:	TYPE:
PROJECT:	
COMMENTS:	DATE:
PREPARED BY:	

**PRODUCT**



**Product Information**

The Floodlight.XXL is a high-performance LED lighting fixture for large outdoor spaces.

This LED lighting fixture features die-cast aluminum housing and stamped aluminum cover.

Applications: Security, Signs, Sports Facilities and all outdoor floodlight applications.

**Performance Summary**

Lumens Range: 22,155 lm – 79,758 lm  
 Lumens Per Watt (Typical): 141  
 Light Engine: L70 Rated Lifetime of 100,000+ hours.  
 CRI: Minimum 70 CRI. Custom CRI available upon request.  
 CCT (Typical): 3000K, 4000K, 5700K Manufactured in the U.S. with parts from U.S. and imported.

**Fixture Information**

Housing: Bronze / Custom  
 Lens: Glass  
 Mounting: Handle Yoke / Pole Top  
 Diffusion: None / Luminite Film

**Specifications\***

Height:	21.5"	Mount Length:	13.3"
Length:	34.65"	Mount Width:	9.4"
Depth:	12.3"	Mount Height:	4.45
Weight:	30 lbs		

\*Specifications are subject to change without notice.

**Electrical System Characteristics / Data**

Standard AC input: 120-277 VAC  
 EMI filter: 47CFR, part 2, part 15  
 Power factor: > 0.9  
 Total harmonic distortion: < 20%  
 Surge protection: IEC/EN 61000-4-5 EMC test standard

**Electrical characteristics and performance data verified by Nationally Recognized Testing Labs (NRTL). For full reports and results, visit [www.noribachi.com/reports](http://www.noribachi.com/reports).**

Ordering Information Sample Catalog Number: HEX-378-B-WW-MT-FLXXL						
LIGHT ENGINE	DRIVE CURRENT	COLOR TEMPERATURE	VOLTAGE	FIXTURE CODE	OPTIONAL UPGRADES	OPTIONAL BEAM SPREAD
HEX-105 HEX-126 HEX-168 HEX-189 HEX-210 HEX-252 HEX-378	B B B B B B	CW – COOL WHITE (5600K TYPICAL) NW – NEUTRAL WHITE (4000K TYPICAL) WW – WARM WHITE (3000K TYPICAL)	MT	FLXXL – FLOODLIGHTXXL	HY – HANDLE YOKE PT – POLE TOP MOUNT SQBRK – WALL MOUNT BRACKET SQBRK90 – WALL MOUNT 90 DEGREE BRACKET HV2-480V GREATER THAN 150W HV3 – 480V GREATER THAN 300W V - VISOR COL [RAL] – CUSTOM FIXTURE COLOR COAT – MARINE GRADE FIXTURE COATING EPOXY – EPOXY COATING SGR1 – 120V SURGE PROTECTOR SGR2 – 277V SURGE PROTECTOR SGR4 – 480V SURGE PROTECTOR 010V – 1-10V DIMMING FUNCTIONALITY STEP – STEP DIMMING FUNCTIONALITY	80D – OPTIONAL 80° BEAM SPREAD 40D – OPTIONAL 40° BEAM SPREAD

**Warranty:**

Five-Year Limited Warranty. Optional 10-Year Manufacturer's Warranty Available. Full Warranty Terms Available At [www.noribachi.com/products/warranty](http://www.noribachi.com/products/warranty)

WHEN APPROVED, THE SPECIFICATIONS OUTLINED IN THIS SPEC SHEET SHALL BECOME THE SPECIFICATION FOR THE MATERIAL TO BE DELIVERED BY NORIBACHI ON THE CITED PROJECT. AN AMENDED SPEC SHEET CAN BE PROVIDED BUT ONLY AFTER WRITTEN APPROVAL BY THE CUSTOMER IS RECEIVED. THIS DOCUMENT IS THE PROPERTY OF NORIBACHI AND CAN ONLY BE USED IN CONNECTION WITH MATERIALS FURNISHED BY NORIBACHI. ©2015



**FLOODLIGHT.XXL**  
 All products feature Noribachi's exclusive Bespoke Engineered and Specifically Tailored (BEST) manufacturing methodology.

CATALOG #:	TYPE:
PROJECT:	
COMMENTS:	DATE:
PREPARED BY:	

**ELECTRICAL**

**Construction**  
 Die-cast aluminum lamp housing with clear flat glass lens.

**Optics**  
 High brightness, high efficiency LEDs. Color temperature options include Cool White (5700K typical), Neutral White (4000K typical) Warm White (3000K typical) with minimum 70 CRI. Custom RGBW colors available. 120° beam angle standard. Optional 80° beam spread and 40° beam spread available.

**Controls**  
 Optional controls include 480V for greater than 150W light engine (HV2) and 480V for greater than 300W light engine (HV3). 120V (SGR1), 277V (SGR2) and 480V (SGR4) Surge Protectors. 0-10V (010V) and Step (STEP) Dimming functionality.

**Mounting**  
 Handle Yoke (HY) and Pole Mount (PM) available for mounting. Poles available separately.

**Driver**  
 Available in B drive current (525 mA). Highly reliable. Suitable for dry, damp and wet locations. Compliant to worldwide safety regulations for lighting.

**Testing Compliance**  
 UL 1598 Issued: 2008/09/17 Ed:3 Rev:2012/10/17 UL Standard for Safety Luminaires CSA C22.2#250.0 Issued: 2008/09/17 Ed:3 Luminaires; General Instruction No.1 2010/01/11, General Instruction No. 2 2012/10/17.

**Electrical System**  
 Surge protection meets 10KV/5KA per ANSI/IEEE62.41. Driver meets maximum harmonic distortion (THD) of 20% and is ROHS compliant. Power Factor = > 0.9.

**Ambient Temperature**  
 -40°C to +65°C (-40°F to + 149°F).

Electrical Load					
LIGHT ENGINE	DRIVE	DRIVE CURRENT (AMPS@120V)	DRIVE CURRENT (AMPS@277V)	DRIVE CURRENT (AMPS@480V)	SYSTEM POWER* (WATTS)
HEX-105	B	1.32	0.57	0.33	158.38
HEX-126	B	1.59	0.69	0.40	190.38
HEX-168	B	2.12	0.92	0.53	254.72
HEX-189	B	2.39	1.04	0.60	287.06
HEX-210	B	2.66	1.15	0.67	319.50
HEX-252	B	3.21	1.39	0.80	384.72
HEX-378	B	4.86	2.10	1.21	583.02
					*Ideal Wattage

Operating Characteristics (Typical @5700K CCT)					
LIGHT ENGINE	DRIVE	LUMENS (T5)	INPUT POWER (WATTS)	LUMENS PER WATT	REPLACES
HEX-105	B	22,154	158.38	139.88	400-650W
HEX-126	B	26,585	190.38	139.64	550-800W
HEX-168	B	35,448	254.72	139.16	725-1200W
HEX-189	B	39,878	287.06	138.92	850-1300W
HEX-210	B	44,308	319.50	138.68	1000-1450W
HEX-252	B	53,170	384.72	138.20	1250-1700W
HEX-378	B	79,755	583.02	136.80	1500W+

**Manufacturing**  
 Manufactured in beautiful Harbor City, CA. ARRA Compliant. NAFTA Compliant. Test and burn-in of 100% of all luminaires before shipment. No less than 8-years experience in manufacturing LED-based products.

**Note**  
 Specifications subject to change without notice. Actual performance may differ as a result of end-user environment application. Actual wattage may differ by +/- 8%.

WHEN APPROVED, THE SPECIFICATIONS OUTLINED IN THIS SPEC SHEET SHALL BECOME THE SPECIFICATION FOR THE MATERIAL TO BE DELIVERED BY NORIBACHI ON THE CITED PROJECT. AN AMENDED SPEC SHEET CAN BE PROVIDED BUT ONLY AFTER WRITTEN APPROVAL BY THE CUSTOMER IS RECEIVED. THIS DOCUMENT IS THE PROPERTY OF NORIBACHI AND CAN ONLY BE USED IN CONNECTION WITH MATERIALS FURNISHED BY NORIBACHI. ©2015



**FLOODLIGHT.XXL**  
 All products feature Noribachi's exclusive Bespoke Engineered and Specifically Tailored (BEST) manufacturing methodology.

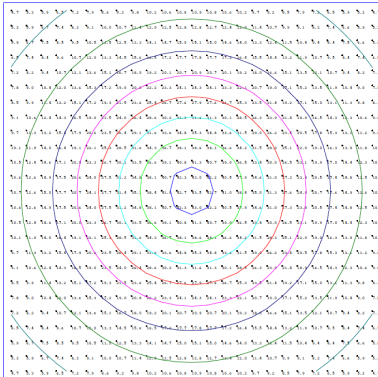
CATALOG #:	TYPE:
PROJECT:	
COMMENTS:	DATE:
PREPARED BY:	

**PERFORMANCE / DISTRIBUTION**

Power And Lumens By Light Engine							
DISTRIBUTION							
LIGHT ENGINE	DRIVE	CCT	T1 (LUMENS)	T2 (LUMENS)	T3 (LUMENS)	T4 (LUMENS)	T5 (LUMENS)
HEX-105	B	5700	N/A	N/A	N/A	N/A	22,154
HEX-126	B	5700	N/A	N/A	N/A	N/A	26,585
HEX-168	B	5700	N/A	N/A	N/A	N/A	35,447
HEX-189	B	5700	N/A	N/A	N/A	N/A	39,878
HEX-210	B	5700	N/A	N/A	N/A	N/A	44,308
HEX-252	B	5700	N/A	N/A	N/A	N/A	53,170
HEX-378	B	5700	N/A	N/A	N/A	N/A	79,755

**Type Distribution  
 HEX-378**

**T-5**



**Distribution**

- 120° Standard Beam Spread.
- 80° Optional Beam Spread available.
- Other Light Engine Type Distribution available upon request.

- IES Type Distributions are generated in an open space.
- Light Distribution images are mounted at 10 feet.

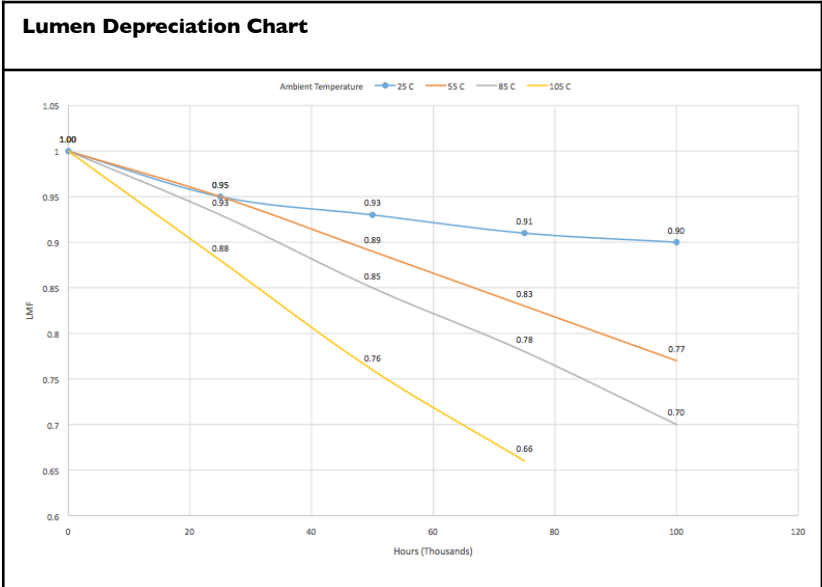
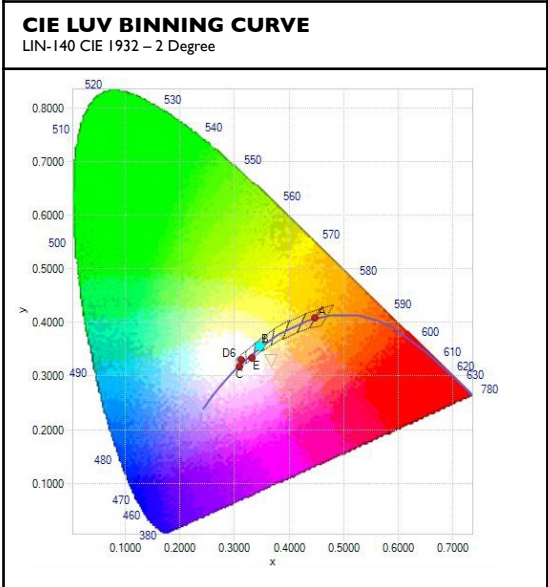
WHEN APPROVED, THE SPECIFICATIONS OUTLINED IN THIS SPEC SHEET SHALL BECOME THE SPECIFICATION FOR THE MATERIAL TO BE DELIVERED BY NORIBACHI ON THE CITED PROJECT. AN AMENDED SPEC SHEET CAN BE PROVIDED BUT ONLY AFTER WRITTEN APPROVAL BY THE CUSTOMER IS RECEIVED. THIS DOCUMENT IS THE PROPERTY OF NORIBACHI AND CAN ONLY BE USED IN CONNECTION WITH MATERIALS FURNISHED BY NORIBACHI. ©2015



**FLOODLIGHT.XXL**  
 All products feature Noribachi's exclusive Bespoke Engineered and Specifically Tailored (BEST) manufacturing methodology.

CATALOG #:	TYPE:
PROJECT:	DATE:
COMMENTS:	
PREPARED BY:	

## PERFORMANCE / DISTRIBUTION



**Lumen Maintenance Factors (B Drive)**

AMBIENT	INITIAL LMF	25K HR PROJECTED LMF	50K HR PROJECTED LMF	75K HR PROJECTED LMF	100K HR PROJECTED LMF
25°C	1.00	0.95	0.93	0.91	0.90
55°C	1.00	0.95	0.89	0.83	0.77
85°C	1.00	0.93	0.85	0.78	0.70
105°C	1.00	0.88	0.76	0.66	n/a

Each temperature has an independent initial value. In accordance with IESNA TM021011, Projected Values represent interpolated value based on time durations that are within six times (6X) the IESNA LM-80-08 total test duration (in hours) for the device under testing (DUT) i.e. the packaged LED chip. In accordance with IESNA TM-21-11, Calculated Values represent time durations that exceed six times (6X) the IESNA LM-80-08 total test duration (in hours) for the device under testing (DUT) i.e. the packaged LED chip

**Luminaire EPA Chart**

	Single	0.5
	ND-180°	1.0
	ND-90°	0.8
	NT-90°	1.7
	NT-120°	1.7
	NQ-90°	1.9

Note: Mounting changes fixture EPA. Please contact Noribachi for additional information.

**Lumen Multiplier**

AMBIENT TEMPERATURE	LUMEN MULTIPLIER
10°C	1.032
15°C	1.021
25°C	1.000
40°C	0.968
50°C	0.946

WHEN APPROVED, THE SPECIFICATIONS OUTLINED IN THIS SPEC SHEET SHALL BECOME THE SPECIFICATION FOR THE MATERIAL TO BE DELIVERED BY NORIBACHI ON THE CITED PROJECT. AN AMENDED SPEC SHEET CAN BE PROVIDED BUT ONLY AFTER WRITTEN APPROVAL BY THE CUSTOMER IS RECEIVED. THIS DOCUMENT IS THE PROPERTY OF NORIBACHI AND CAN ONLY BE USED IN CONNECTION WITH MATERIALS FURNISHED BY NORIBACHI. ©2015



**FLOODLIGHT.XXL**  
 All products feature Noribachi's exclusive Bespoke Engineered and Specifically Tailored (BEST) manufacturing methodology.

CATALOG #:	TYPE:
PROJECT:	
COMMENTS:	DATE:
PREPARED BY:	

**OPTIONAL UPGRADES**

For additional optional upgrades, please contact your Noribachi Account Manager.

**DIMMING**  
**ORDER CODE: 010V**  
**ORDER CODE: STEP**  
 Appearance And Specifications:  
 •010V = 1 – 10V Dimming Functionality  
 •STEP = Step Dimming Functionality  
 \*Compatibility not guaranteed for any particular dimmable light in any particular installation.



**SURGE PROTECTOR**  
**ORDER CODE: SGR1**  
**ORDER CODE: SGR2**  
**ORDER CODE: SGR4**  
 Appearance And Specifications:  
 •120V Surge Protector  
 •277V Surge Protector  
 •480V Surge Protector



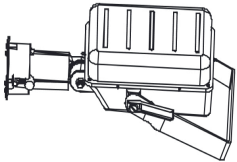
480V FOR GREATER THAN 150W LIGHT ENGINES  
**ORDER CODE: HV2**



480V FOR GREATER THAN 300W LIGHT ENGINES  
**ORDER CODE: HV3**



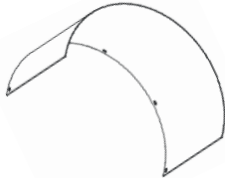
**HANDLEYOKE MOUNT**  
**ORDER CODE: HY**  
 Appearance And Specifications:  
 •Bronze or Custom color  
 •Includes "No Tools Needed" aiming adjustment



**POLE TOP MOUNT**  
**ORDER CODE: PT**  
 Appearance And Specifications:  
 •Bronze or Custom color  
 •Hardware included



**VISOR**  
**ORDER CODE: V**  
 Appearance And Specifications:  
 •Aluminum



**EPOXY COATING**  
**ORDER CODE: EPOXY**  
 Appearance And Specifications:  
 •Add epoxy coating to your fixture.



WHEN APPROVED, THE SPECIFICATIONS OUTLINED IN THIS SPEC SHEET SHALL BECOME THE SPECIFICATION FOR THE MATERIAL TO BE DELIVERED BY NORIBACHI ON THE CITED PROJECT. AN AMENDED SPEC SHEET CAN BE PROVIDED BUT ONLY AFTER WRITTEN APPROVAL BY THE CUSTOMER IS RECEIVED. THIS DOCUMENT IS THE PROPERTY OF NORIBACHI AND CAN ONLY BE USED IN CONNECTION WITH MATERIALS FURNISHED BY NORIBACHI. ©2015



**FLOODLIGHT.XXL**  
 All products feature Noribachi's exclusive Bespoke Engineered and Specifically Tailored (BEST) manufacturing methodology.

CATALOG #:	TYPE:
PROJECT:	
COMMENTS:	DATE:
PREPARED BY:	

**OPTIONAL UPGRADES**

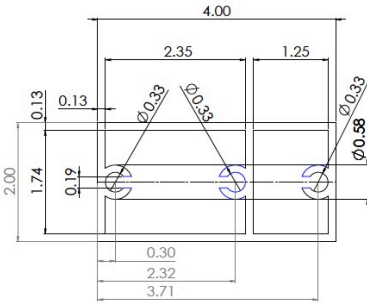
CUSTOM FIXTURE COLOR  
**ORDER CODE: COL-[RAL]**  
 Appearance And Specifications:  
 •Choose a custom color for your fixture.  
 •RAL color code must be provided.



MARINE GRADE FIXTURE COATING  
**ORDER CODE: COAT**  
 Appearance And Specifications:  
 •Add a Marine Grade coating to your fixture.  
 •Coating appearance is green.



WALL MOUNT BRACKET  
**ORDER CODE: SQBRK**  
**ORDER CODE: SQBRK90**  
 Appearance And Specifications:  
 •Steel  
 •SQBRK90 = Wall Mount Bracket with 90 Degree Arm



WHEN APPROVED, THE SPECIFICATIONS OUTLINED IN THIS SPEC SHEET SHALL BECOME THE SPECIFICATION FOR THE MATERIAL TO BE DELIVERED BY NORIBACHI ON THE CITED PROJECT. AN AMENDED SPEC SHEET CAN BE PROVIDED BUT ONLY AFTER WRITTEN APPROVAL BY THE CUSTOMER IS RECEIVED. THIS DOCUMENT IS THE PROPERTY OF NORIBACHI AND CAN ONLY BE USED IN CONNECTION WITH MATERIALS FURNISHED BY NORIBACHI. ©2015

