

Incredible **75,000 hrs**

### GENERAL DESCRIPTION

Neptun's LED Ad-Poster™ Modular billboard fixtures combine architectural form and patented design to make it an excellent choice for retrofit or new billboard applications. The 60 PCS, High Output Cree LED's and custom engineered optics provide highly uniform illumination of various billboard sizes. It can replace existing HID billboard fixtures up to 400W.

### APPLICATION

- 25' Billboard requires 1 Unit

### STRUCTURE, MATERIALS, & FEATURES

- Heavy-gauge, die-cast aluminum housing with cooling fins.
- Corrosion resistant electrocoat grey finish (custom colors available).
- Slim, state of the art, low profile design for minimum wind load resistance.
- Heat and impact resistant tempered flat glass lens.
- Continuous silicone gasketing surrounds optics for IP68 weather tight seal.
- 1-1/2" I.D. Slip Fitter Accepts up to 1-1/4" Pipe or Tenon. (hardware included)
- Correlated Color Temperature of (5300°K) for greater visibility.
- Field selectable Power Input 80-100W.
- Patented constant light control output over 75,000 hrs. life.
- High power factor, low THD driver.
- InstantON flicker-free Cold Start and Hot Re-Start.
- Up to 15 years Maintenance free operation.
- 10 Year Warranty on complete fixture. (LED's, Driver, & Housing)

### ORDERING INFORMATION

Sample Number: LED-87080-M2-UNV-850  
 Custom options and accessories available. Please consult factory

Source	Series	Wattage	Module	Voltage	Color Temp.
LED = LED	87 = Modular Billboard Fixture	080 = 80 W 090 = 90 W 100 = 100 W	M2 = 2 Modules	UNV = 120-277 VAC	850 = 5000°K



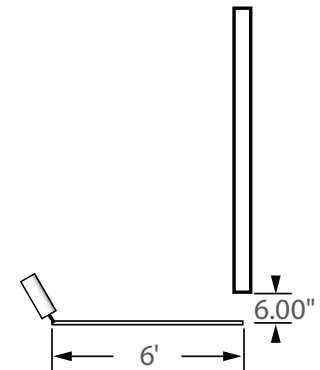
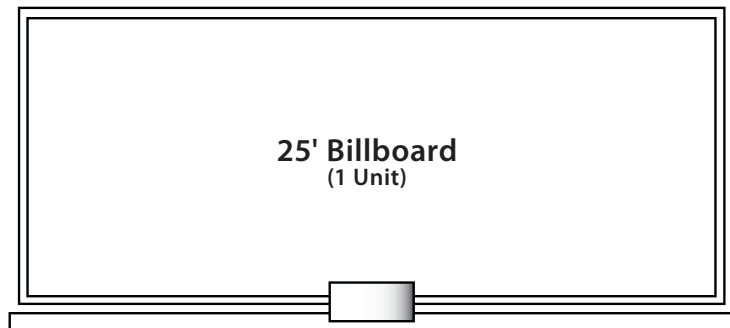
### PRODUCT INFORMATION

Model No.	Description	Rated Watts	Input Watts	Initial Lumens	Universal Line Voltage (VAC)	Max Line Current (Amp) @ 120 - 277	THD	Power Factor	Weight
LED-87080-M2-UNV	LED Billboard Fixture	80	82	7,200	120-277	0.69 - 0.30	<15%	>0.98	25 lbs
LED-87090-M2-UNV	LED Billboard Fixture	90	92	8,100	120-277	0.78 - 0.34	<15%	>0.98	25 lbs
LED-87100-M2-UNV	LED Billboard Fixture	100	102	9,000	120-277	0.87 - 0.37	<15%	>0.98	25 lbs

### SPECIFICATIONS

- LED Driver ..... Constant Current
- Power Supply ..... 350mA
- Start Method ..... InstantON
- Hot Re-start ..... InstantON
- Universal Input Line Voltage ..... 120-277 VAC
- Input Line Frequency ..... 50/60 Hz
- Ballast Off-State Draw ..... 0 Watts
- Sound Rating ..... Class A
- ANSI Surge Protection ..... Class A
- LED / Driver System Life ..... 75,000 Hrs.
- Lumen Maintenance @50,000Hrs ..... > 70%
- Color Temperature ..... 5,000°K
- Color Rendering Index (CRI) ..... > 80
- Minimum Starting Temperature ..... -40°C
- Maximum Starting Temperature ..... 50°C
- Lumens per Watt ..... > 90
- Shock / Vibration Resistant ..... Yes
- Power Factor ..... > 0.98
- Total Harmonic Distortion ..... < 15%
- Inrush Current Peak ..... < 10 Amp
- ETL Listed / UL Standard 1598 ..... Yes
- FCC Compliance ..... Part 18, Subp. C
- Housing IP Rating ..... IP65
- Driver IP Rating ..... IP67
- Optics IP Rating ..... IP68
- Warranty ..... 10 Year

### COVERAGE RECOMMENDATIONS



### MOUNTING OPTIONS

Slip Fitter



1-1/2" I.D.  
Accepts up to 1-1/4"  
Round or Square Pole

### FOR BEST RESULTS

- Fixtures should be mounted at least 6 ft. from the surface of the board
- Fixtures should be mounted at 30° pre-adjusted at factory.