



TIEXING HONGYUN USA CO.  
LED DIVISION

## LED Canopy Light Ultra-thin Series

### Features

- Sealed die-casting profile for indoor and outdoor applications
- Replacing 100-250W MH
- Lumen output from 3800-6000lm
- Three 1/2" threaded conduit and one 3/4" conduit entry points
- Polycarbonate optical lens with heat resisting
- Multiple voltage input is available, support 347V and 480V input.
- Motion sensor is available
- Ultra-thin design

### Applications

- Parking structures, storage areas and low level security



# Ultra Thin Series LED CANOPY LIGHT

## Ordering Information

EXAMPLE: CP 45W 27V 50K B M

Luminaire Type		Power Consumption		Voltage		CCT		Finish		Sensor (Option)
CP	CANOPY	45W	45Watts	27V <sup>1</sup>	100-277V	27K	2700K	B	Black (Default)	M <sup>2</sup> Motion Sensor
		70W	70Watts	52V <sup>1</sup>	312-528V	30K	3000K	D	Dark Bronze	
						40K	4000K	W	White	
						50K	5000K			

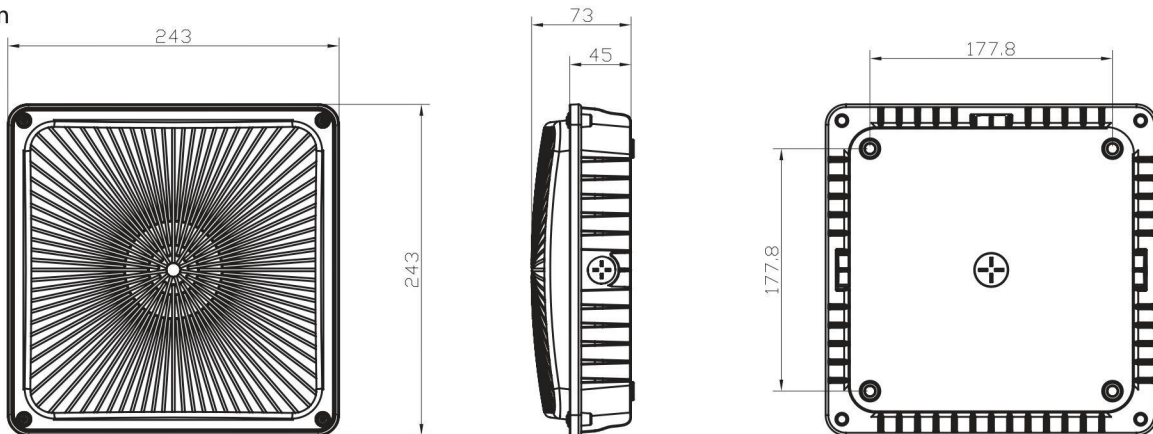
- NOTES
1. 100-277V power driver is a not dimmable ; 312-528V power driver is dimmable and only available for 45W led canopy.
  2. 277V driver operates on 120-277V (50/60 Hz), Specify 120 and 240-277 options only when ordering with Motion sensor.

## HID Vs. LED Enegy Saving Chart

HID Light Source	HID Wattage	Rated Avg. Life	LED Wall Pack Model No.	LED wattage (watts)	lumens (lm)	LED Life (hrs)
100W High Pressure Sodium	100	24,000	WP4527V50KDH	45	4000	50,000
175W High Pressure Sodium	175	24,000	WP7027V50KDH	70	6000	50,000
250W Pulse Star Metal Halide	250	12,000	WP7027V50KDH	70	6000	50,000

## Dimension

unit: mm



**TIEXING HONGYUN USA CO.**  
**LED DIVISION**