

# HB03

## Full-size UFO Highbay Lights

Full-size UFO high bay lights should be used in various industrial high-bay places and semi-outdoor venues. There are high-temperature and low-temperature versions. Complete installation methods. The power range includes 100W-600W. It has passed many certifications in many regions and can easily complete the lighting of various venues.



**5 YEARS**  
WARRANTY

**IP65**  
Wet Location

**IK08**

CB CE ERP  FC    RoHS



## Low Voltage Highbay



100W/150W/200W



240W



300W/400W



500W



600W

## The best quality, The cheapest price

- >Power and CCT tunable fixture.
- >Suitable for wet locations.
- >Comes with expansion port for sensors.
- >PIR and microwave sensor kits available.
- >Kits available for surface mount or pendant mount.
- >DLC Premium listed.
- >Available accessories: Aluminum and polycarbonate reflector.
- >UGR is lower than 25 when the light is with lens.
- >The lifespan of the light is 54000 hours and its maintenance is 78.24%.
- >Radiator is made of 1070 pure Aluminum, good heat dissipation.
- >The weight is 40% lighter than die-casting aluminum radiator.
- >Voltage is AC100-277V, AC220-240V / 277-480V.
- >100W-600W Watts can replace HID of 800-1500 watts.

## High Voltage Highbay



100W/150W/200W



240W



300W/400W



500W/600W

## Most Cost-Effective highbay

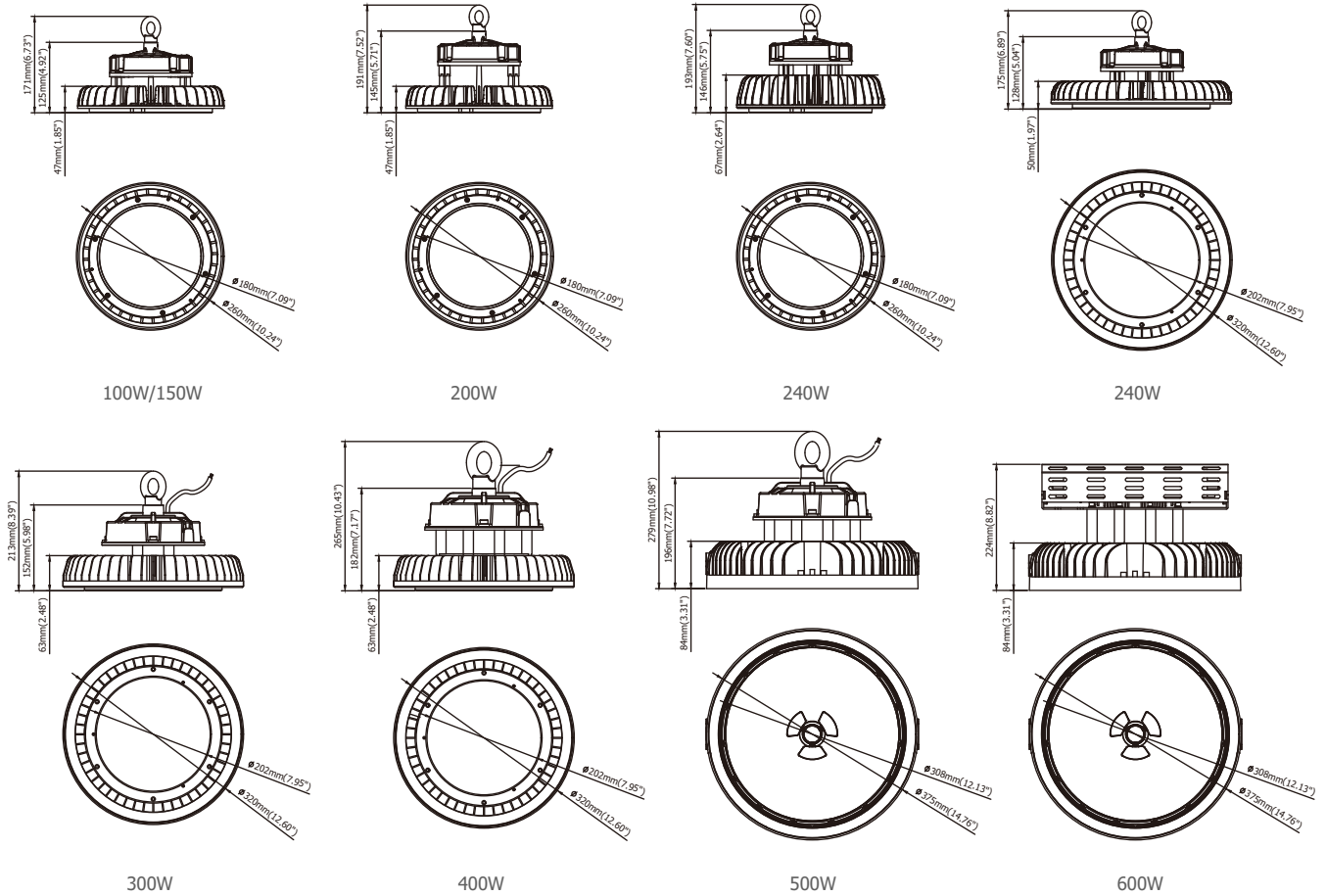
Using Lifud power (0-10V dimming) and Lumileds 2835 LEDs likely contributes to its energy-efficient operation and longevity, and make it a most cost-effective high bay.

## Sensor Optional

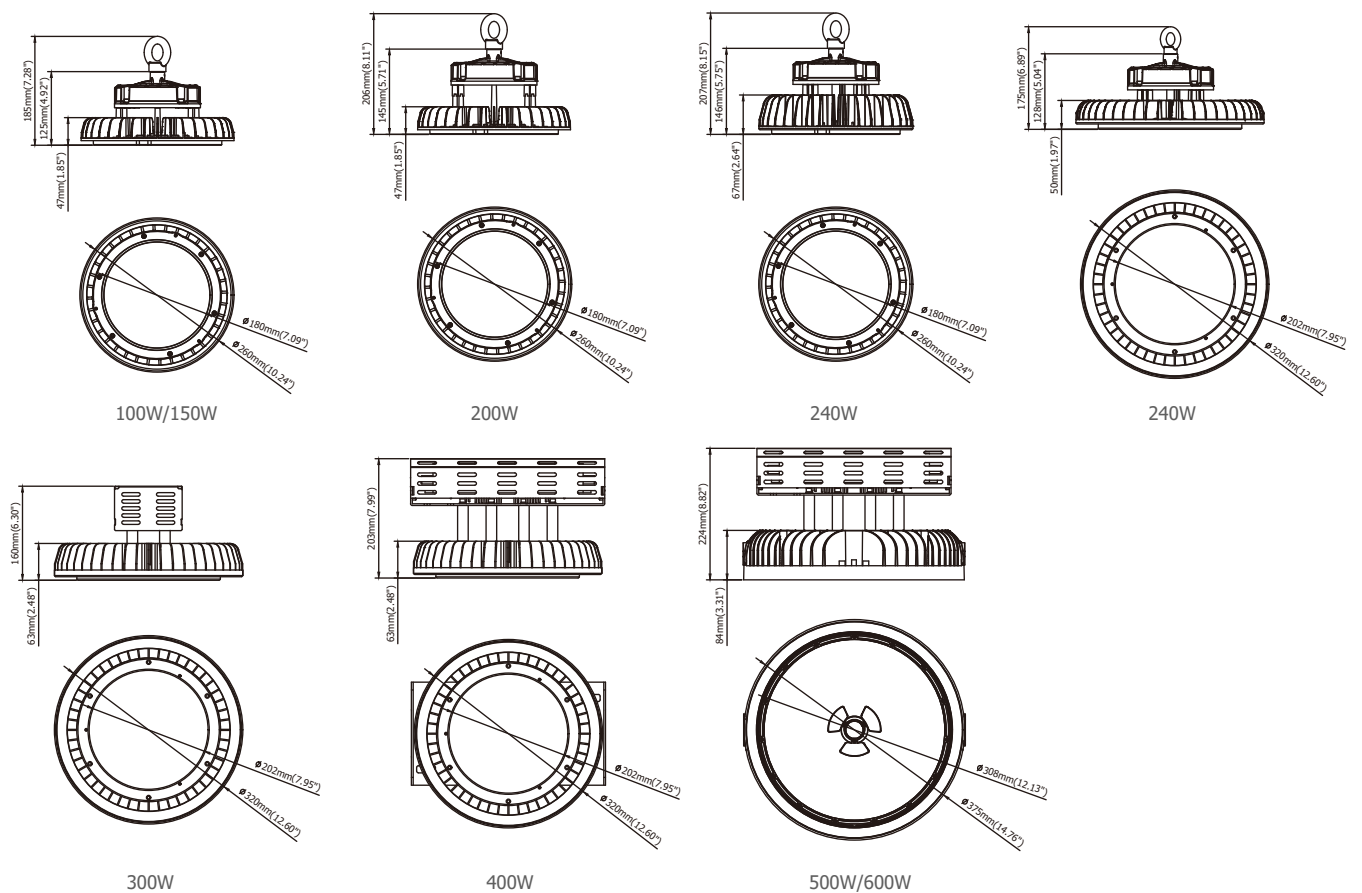
The Flash includes an expansion port that makes it easy to screw on standard or Lightcloud Blue-enabled PIR and microwave sensors, which can be configured to adjust brightness and hold time, saving additional energy and costs. A remote is also available for an additional level of control.



# Low Voltage Highbay (Dimension)



# High Voltage Highbay (Dimension)





## Parameters

Model No.	HB03-100/150/200	HB03-240	HB15-300/400	HB15-500/600
Wattage	100W/150W/200W	240W	300W/400W	500W/600W
Light Efficiency(@4000K)	170Lm/W			
Lumen Flux(@4000K)	17,000Lm/25,500Lm/34,000Lm	40,800Lm	51,000Lm/68,000Lm	85,000Lm/102,000Lm
CCT	3000K/4000K/5000K/6500K			
Beam Angle	120°			
CRI	70 / 80			
SDCM	<5			
Input Voltage	AC100-277V,AC220-240V / 277-480V 50/60Hz			
Power Factor	0.95			
THD	≤20%			
Protection against electric	Class I			
Environmental location of luminaries	Wet location			
IK	IK08			
Operating Temp Ranger	-40~+50°C / -22 ℉ ~+122 ℉			
Intelligent control	0-10V Dimming, PWM			
Lifetime	L70, >50,000Hours@95 ℉			
Weight (kg/lbs)	2.2Kg(4.85 Lbs)/2.2Kg(4.85 Lbs)/2.4Kg(5.29 Lbs)	3.1Kg(6.83 Lbs)	5.5Kg(12.13 Lbs)/6.2Kg(13.67 Lbs)	9.45Kg(20.83 Lbs)/14.6Kg(32.19 Lbs)
Warranty	5 years			
Certificate	UL / DLC 5.1 Premium			
Specification	LED: Lumileds Driver: LiFud, Sosen			
Material	Structure: Die-casting/High Thermal Conductivity AL Finish: Power coated Lens: Polycarbonate Color: Black			

# Accessories



**PC reflector**

60°/90°PC reflector  
Code: 16"/19" (D260/D320)



**Aluminium reflector**

60°/90°/120°Aluminium reflector  
Code: (D260/D320)



**±90° adjustable bracket,Fixed on driver**

SPCC materials with outdoor powder coating.  
Code: HB03-01 (D260/D320)



**Dust-proof cap**

60°/90°PC reflector  
Code: 16"/19" (D260/D320)



**Hook**

304 stainless steel.  
Code: Hook-M10/M12 (D260/D320)



**±50° adjustable bracket,Fixed on heatsink**

SPCC materials with outdoor powder coating.  
Code: HB03-02 (D260/D320)



**Safety rope**

304 stainless steel, 2.62ft optional  
Code: HB-SR-08 (D260/D320/D375)



**Sling chain**

304 stainless steel, 3.28ft optional  
Code: HB-SC-10 (D260/D320/D375)



**Microwave motion sensor**

12Vdc input, IP65 rating,max detect height is 49.21ft.  
Code: ANT-5-3 (D260/D320)



**PIR sensor**

12Vdc input, IP65 rating,max detect height is 49.21ft.  
Code: ANT-6-3 (D260/D320)



**Microwave motion sensor**

110-277Vac input, The sensor can be controlled  
by Microwave motion induction control.  
Code: MC054V RC 2 (D260/D320)



**Remote controller**

For motion sensor and PIR sensor.  
Code: RC-100

### Sensor installation method

