



300W UFO HIGHBAY LED LIGHT



Date:..... Location:

Product:.....Project:.....

Quantity:..... Catalog#

FEATURES

- Super Brightness LED Efficiency
- 5ft cable,Occupancy Sensor Options
- Black or White housing Option,Kelvin options,Voltage options
- Heavy weight Aluminum Alloy
- Corrosion and rust proof
- Easy installation and maintenance

SUITABLE APPLICATIONS

- Warehouse
- Manufacturing facilities
- Convention Centers
- Sporting arenas
- Big-box retail stores
- Cold storage facilities
- Gymnasiums

CONSTRUCTION:

Heavy die-cast Aluminum Alloy housing,
Black or White Housing options

ELECTRICAL:

Available as 100-277V input.-36+50°C

OPTICAL SYSTEM:

High Lumen Lumileds SMD 2835 LED Chip.Hig transparency,
PC cover ,90 beam angle

INSTALLATION&MOUNTING:

Suspend Mounting with unique hook

WARRANTY:

5-year limited warranty. Actual performance may differ as
a result of end-user environment and application.

CONTROLS&DIMMING

0-10V dimmable as standard.Occupancy sensor options

PERFORMANCE

Model NO	Power factor	Wattage	Voltage/CurrentInput		Light Efficiency	Kelvin Options
			120V	277V		
AST-HB18-300WL1B1T2A1	>0.9	300W	2.50A	1.08A	140LM/W	5000K

300W UFO HIGHBAY LED LIGHT

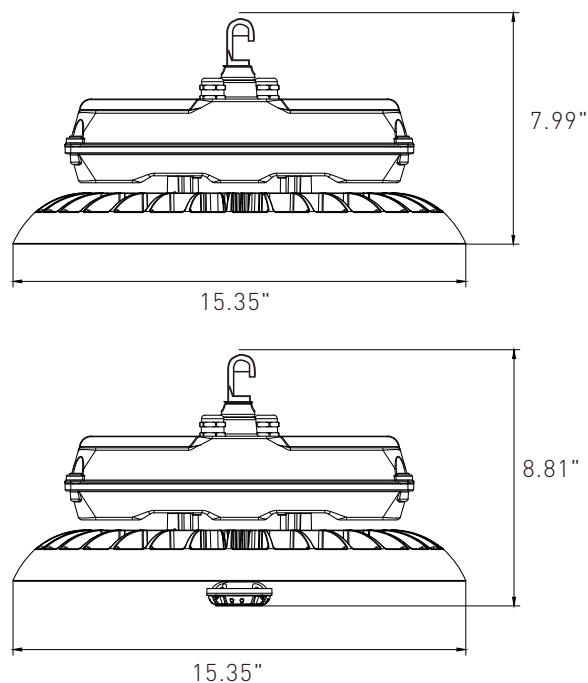


LIGHTING

Electric Characteristic

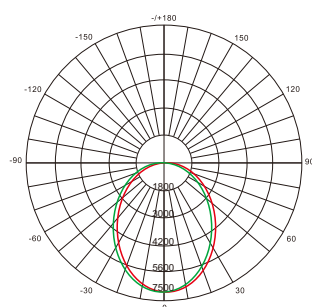
Specification/Model	AST-HB18-300WL1B1T2A1
LED Driver	LF-FAA320 or FD-300C-260B
Input power	300W
Lumens output	42000LM
Efficiency	140LM/W
CRI	>80
Color Temperature	5000K
Input voltage	120-277V/AC
Light distribution type	90D
Working temperature	-36+50°C
Junction temperature	<75°C
lamps efficiency	≥90%
Certificate	UL CUL DLC
Equivalent	600-1000W MH/HPS

DIMENSION



DISTRIBUTION DIAGRAM

AST-HB18-300WL1B1T2A1



AVERAGE BEAM ANGLE[50%]: 90°

UNIT:CD
 Test Number:AST-HB18-300WL1B1T2A1 — C0/180,90.7
 Lumens:42000LM — C30/210,90.1
 Test Number:300W — C60/240,89.3
 Test Number:5000K — C90/270,89.9

LED High Bay Light Installation Instruction

Cautions:

1. Do not use any electric generator to test the LED light
2. Please abide by related country, regional and local law and regulations when install this fixture.
3. Please turn off the power before installation or maintenance.
4. Proper grounding is required to ensure safety

Notice:

1. To avoid possibility of electrical shock or fire, the installation personnel must have professional electric knowledge.
2. Please wear gloves to avoid injury before installation.
3. If any smoke or spark of the wire happened, please turn off the power immediately and notify relevant personnel.
4. Please use listed strain relief bushing when connecting the supply cord to the outlet box.

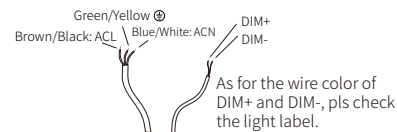
Attention:

1. Please check if there is any damage during shipping. If so, please contact manufacturer timely
2. Please read the installation instruction carefully to check whether all the accessories are available. After confirmation, install the led light according to installation steps.

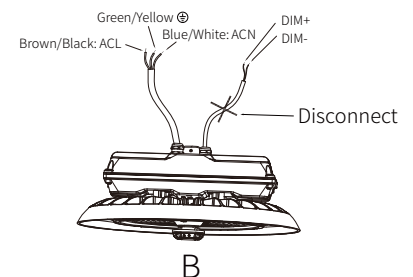
Wiring Diagram & Instruction:

This LED highbay light can be equipped with optional DC motion sensor, and is available with 0/1-10V dimming function, with following 3 dimming solutions:

- 0/1-10V dimming,
- Intelligent dimming with DC motion sensor,
- Pre-install tool-free handling DC motion sensor dimming module, and choose dimming module, and choose dimming function freely.



Description : This product is 0/1-10V dimming, below dimmers are recommended:	
Brand	Model
LUTRON	NTST V-DV
LEVI TON	DS710 / IP710
LEGRAN D	RH4FBL3PT C



Installation Methods: Hook Mount, Ceiling Mount, 1/2" NPT Mount. (Please choose the most suitable installation method for the purchased product as per your needs)

Hook mount:

1. Screw the hook into the fixture, tighten and fix it. (Figure1)
2. Hang the fixture on the ceiling hook or chain. (Figure2)
3. After installation, connect the wire of the fixture to the mains according to the local wiring rules, ensure the connection is stable. And make good protection on the connection.

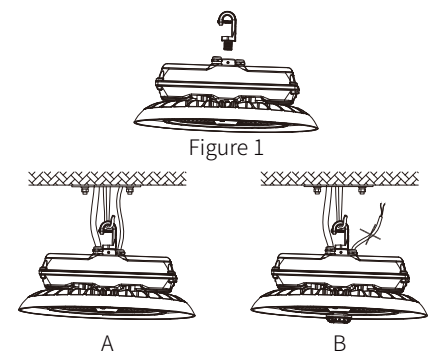


Figure 2