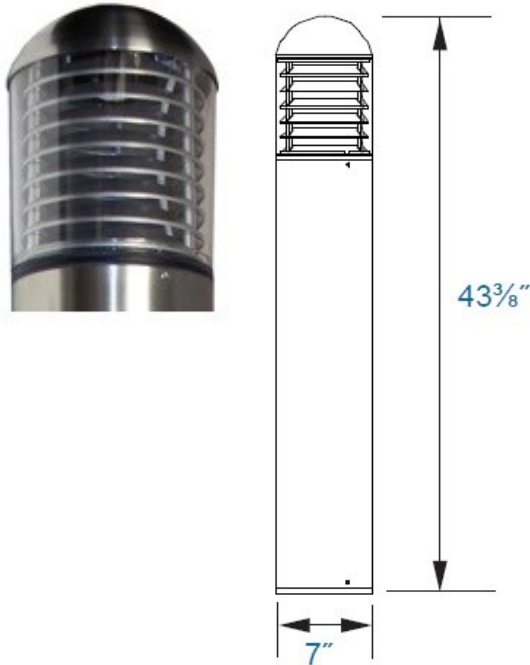


DATE	
PROJECT	
TYPE	
NOTE	
PREPARED BY	

CLB-3086

Stainless steel LED dome bollard with louvers



Formed 316 stainless steel housing with flush Mounting Base and Vandal-Resistant Screws, Domed Top. Internal Ballast Tray for Easy Maintenance. Cast Aluminum Louvers. Clear Polycarbonate Lens. Mounting Kit with 8" Anchor Bolts (Included). LED Array 14.5w, System 17w. Ideal for lighting pedestrian walkways and accenting the exterior grounds of office and apartment buildings, hotel and parks. Comes with a 5 year/50,000 hour limited warranty.

FEATURES

- Energy Savings: Over 66% compared to HID light sources
- Improved lumen maintenance
- Utilizes high efficient LED's
- Operating temperatures: -30°C ~ 60°C
- Driver: Constant current, 120-277v, 50/60Hz, 480v (Optional)
- Suitable for wet locations
- Dimming, occupancy sensors, photo cell and wireless controls capable (optional)
- Operating Life: >60,000 hours

CONSTRUCTION

- Formed stainless steel body with die-cast aluminum louvers
- Brushed natural stainless steel finish
- Clear polycarbonate lens standard
- Silicone gasket to prevent leakage and provide weather-tight protection
- Mounting: Mounting kit with 8" anchor bolts included

OPTIONS

- (WC) Wireless controls
- (EMR) Emergency Battery back up
- (BAK4) Mounting Kit (3) 4" Anchor Bolts
- (BAK8) Mounting Kit (3) 8" Anchor Bolts (STANDARD)
- (BAK12) Mounting Kit (3) 12" Anchor Bolts
- (BAK15) Mounting Kit (3) 15" Anchor Bolts



Model Number	INPUT POWER	LUMEN OUTPUT	SCOTOPIC	COLOR TEMP (CCT)	CRI	RATED LIFE (L70)	INPUT VOLTAGE	INPUT FREQUENCY	HID Equivalent
CLB-3086-15LED	17	1,151	2,089	5000K	80+	>200,000	120-277V	50/60HZ	70w MH

Ordering Guide Example: (CLB-3086-15LED-50-MV-BLK-EMR)

MODEL	WATTS	COLOR TEMP	VOLTAGE	FINISH	OPTIONS
CLB-3086	15W-15LED	50-5000K	MV=120-277V 480-480V	BZ- BRONZE GRY-GRAY BLK-BLACK WH- WHITE CUS-CUSTOM	(WC) Wireless controls (EMR) Emergency battery back up (BAK4) Mounting Kit (3) 4" Anchor Bolts (BAK8) Mounting Kit (3) 8" Anchor Bolts (STANDARD) (BAK12) Mounting Kit (3) 12" Anchor Bolts (BAK15) Mounting Kit (3) 15" Anchor Bolts