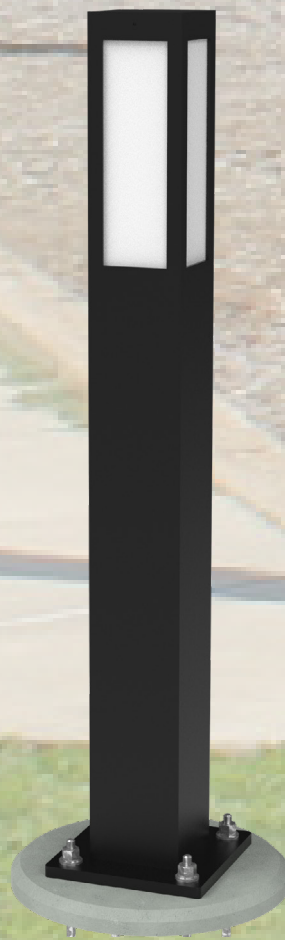


CLB-4020

Bollard LED Lighting
DESIGN-FUNCTION-QUALITY

Crystal Lighting Corp.



The Decorative Design of the CLB-4020 will assist in enhancing the appearance of any location. It is available in multiple finishes to choose from in order to suit desired requirements. CLB-4020 is commonly installed in exterior facilities (but also works for interior locations) such as: public parks, shopping plazas, walkways, exterior business facilities and residential areas.

Warranty:

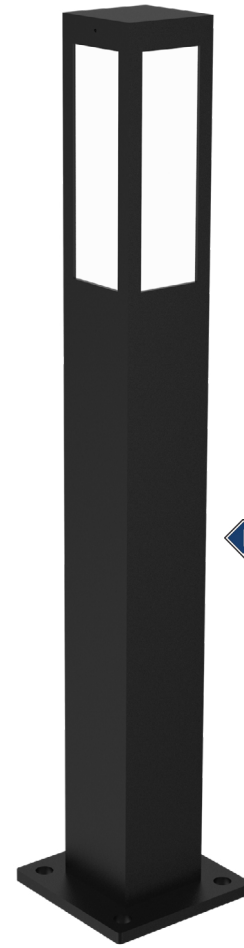
-10 year/100,000 hour Limited Warranty.

Features:

- Energy Savings: Over 66% compared to HID light sources.
- Improved Lumen Maintenance.
- Utilizes High efficient Lumiled LED's.
- Operating Temperatures: -30°C ~ 60°C.
- Driver: 120-277V (MV).
- IP65 Rated.
- 0-10 Dimming Driver, Button Photo Cell or Micro Wave Sensor (Optional)

Construction:

- Corrosion-Resistant Aluminum Housing
- 3 Mil Powder Coat Finish.
- Opal Acrylic Lens (Standard)
- Silicone Gasket to provide Weather-Tight Protection (IP65).
- Mounting: 3/8 x 18" long Anchors (4x Set)

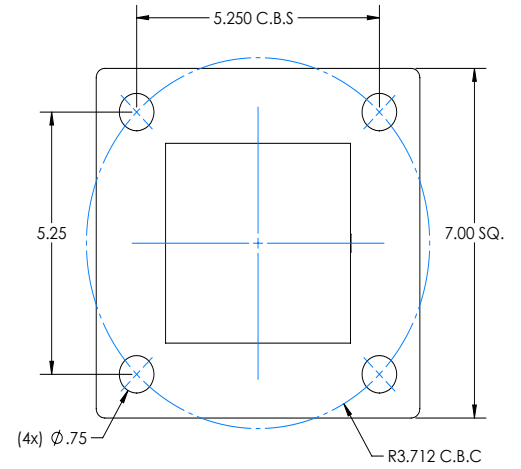
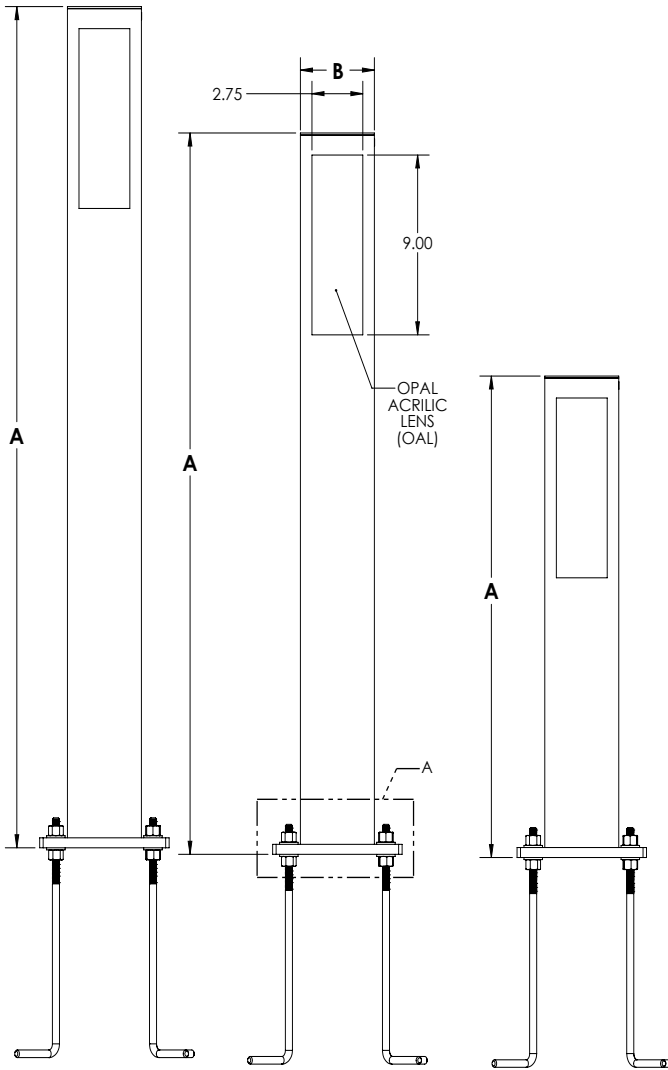


Example: CLB-4020-36-20CLED-T5-40K-MV-BRZ-3/8ACH-PC

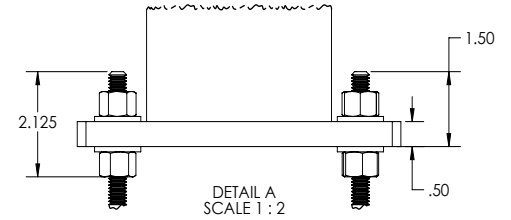


CLB-4020							3/8ACH	
Cat #	Height	Wattage	Light Dist.	Color Temp.	Voltage	Color	Mounting	Options
CLB-4020	24" 36" 42"	10W (10CLED) 20W (20CLED)	Type 3 (T3) Type 5 (T5)	3000K (30K) 4000K (40K) 5000K (50K)	120-277V (MV)	Black (BLK) White (WH) Bronze (BRZ) Silver (SIL) Graphite (GPH) Marine Grade (MG)	3/8 Anchor (3/8ACH)	Dimmable (0-10DIMM) Button Photo Cell (PC) Micro Wave Sensor (MWS)





Base Template



Bolt Projection

Dimensions			
Cat#	A	B	EPA
CLB-4020	24"	4"	
CLB-4020	36"	4"	
CLB-4020	42"	4"	

Cat #	Input Power	Lumen Output	LPW	Color Temp. (CCT)	CRI	Rated Life (L70)	Input Voltage	Input Frequency	HID Equivalent
CLB-4020-10CLED	15W	1255	125	3000K	70+	>200,000	120-277V	50/60HZ	50W HPS
		1332	133	4000K	70+	>200,000	120-277V	50/60HZ	
		1332	133	5000K	70+	>200,000	120-277V	50/60HZ	
CLB-4020-20CLED	25W	2201	110	3000K	70+	>200,000	120-277V	50/60HZ	50W HPS
		2337	116	4000K	70+	>200,000	120-277V	50/60HZ	
		2337	116	5000K	70+	>200,000	120-277V	50/60HZ	

