



**CCT**  
Tunable



**SVNS**



# LED FLOOD LIGHT **D** SERIES

20W/30W/50W/80W/100W/120W/150W/200W/240W/300W/350W/400W



## DESCRIPTION

VENAS LED flood light series is one of the best lighting solutions for efficiency, coupled with high performance. The well-functioned LED flood light enhances visibility and safety at nighttime, and instantly brightens up parking lots, sports courts, warehouses, as well as large billboards, etc. Each LED flood light has also been third-party tested for top quality and has attained related certifications. The flood light fixture will be your integrated lighting solution in every single industrial field.



Screw-fixed Snap-fit

Screw-free Fixed Snap-fit



## FEATURES

- Die-casting aluminum housing, compact and robust design.
- Professional fin-shape heat sink design for excellent cooling performance.
- Low wattage with high efficacy of up to 130 lm/W or 160 lm/W can greatly help reduce energy consumption and save electricity costs.
- Full range power from 20W to 400W is offered to meet customer's different illumination levels in different projects.

# LED FLOOD LIGHT D1

FL-D120W/30W UXYZ

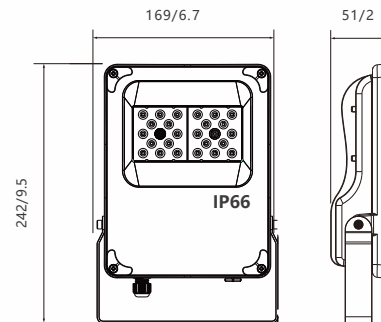


VENAS



## Specification

Input Voltage	AC100-277V
Power Consumption(± 10%)	20W/30W
Surge Protection	10Kv/20Kv/(optional)
Intelligent Control	DALI/DMX512
LED Chip	2835/5050
Efficiency(±5%)	130 lm/W; 160 lm/W
CCT	3000K/4000K/5000K/6000K
CRI	70/80
Beam Angle	30°/45°/60°/90°/120°/T30x90/T3VS/T2VS
IP Rating	IP66
IK Rating	IK08
Working Temperature	-40°C(-40°F) - +50°C(122°F)
Lifespan	50,000 Hours
Warranty	5 Years
Housing Material	Die-casting aluminum housing and PC lens
Net Weight	1.2kg(2.7lbs)
Gross Weight	1.5kg(3.3lbs)
Product Dimension	242x169x51 mm(9.5x6.7x2.0inch)
Packing Size	510x365x315mm(20.1x14.4x12.4inch)(20pcs/Carton)



Unit: mm/inch

# LED FLOOD LIGHT D2

FL-D250W UXYZ

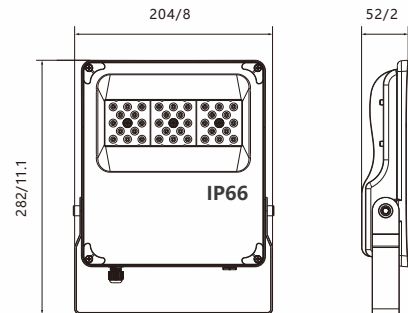


VENAS



## Specification

Input Voltage	AC100-277V
Power Consumption(±10%)	50W
Surge Protection	10Kv/20Kv/(optional)
Intelligent Control	DALI/DMX512
LED Chip	2835/5050
Efficiency(±5%)	130 lm/W; 160 lm/W
CCT	3000K/4000K/5000K/6000K
CRI	70/80
Beam Angle	30°/45°/60°/90°/120°/T30x90/T3VS/T2VS
IP Rating	IP66
IK Rating	IK08
Working Temperature	-40°C(-40°F) - +50°C(122°F)
Lifespan	50,000 Hours
Warranty	5 Years
Housing Material	Die-casting aluminum housing and PC lens
Net Weight	2.0kg(4.4lbs)
Gross Weight	2.3kg(5.1lbs)
Product Dimension	282x204x52mm(11.1x8.0x2.1inch)
Packing Size	465x305x315mm(18.3x12.0x12.4inch)(10pcs/Carton)



Unit: mm/inch

# LED FLOOD LIGHT D3

FL-D380W UXYZ

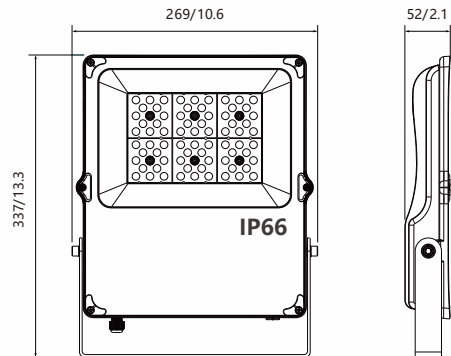


VENAS



## Specification

Input Voltage	AC100-277V
Power Consumption(±10%)	80W
Surge Protection	10Kv/20Kv/(optional)
Intelligent Control	DALI/DMX512
LED Chip	2835/5050
Efficiency(±5%)	130 lm/W; 160 lm/W
CCT	3000K/4000K/5000K/6000K
CRI	70/80
Beam Angle	30°/45°/60°/90°/120°/T30x90/T3VS/T2VS
IP Rating	IP66
IK Rating	IK08
Working Temperature	-40°C(-40°F) - +50°C(122°F)
Lifespan	50,000 Hours
Warranty	5 Years
Housing Material	Die-casting aluminum housing and PC lens
Net Weight	2.7kg(6.0lbs)
Gross Weight	3.0kg(6.6lbs)
Product Dimension	269x337x52mm(10.6x13.3x2.1inch)
Packing Size	588x360x315mm(23.1x14.2x12.4inch)(10pcs/Carton)



Unit: mm/inch

# LED FLOOD LIGHT D4

FL-D4100W/120W UXYZ

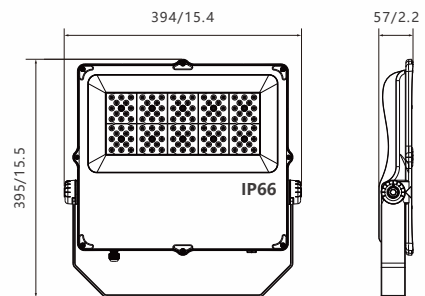


VENAS



## Specification

Input Voltage	AC100-277V
Power Consumption(10%)	100W/120W
Surge Protection	10Kv/20Kv/(optional)
Intelligent Control	DALI/DMX512
LED Chip	2835/5050
Efficiency(±5%)	130 lm/W; 160 lm/W
CCT	3000K/4000K/5000K/6000K
CRI	70/80
Beam Angle	30°/45°/60°/90°/120°/T30x90/T3VS/T2VS
IP Rating	IP66
IK Rating	IK08
Working Temperature	-40°C(-40°F) - +50°C(122°F)
Lifespan	50,000 Hours
Warranty	5 Years
Housing Material	Die-casting aluminum housing and PC lens
Net Weight	4.7kg(10.3lbs)
Gross Weight	5.1kg(11.2lbs)
Product Dimension	394x395x57mm(15.4x15.5x2.2inch)
Packing Size	440x420x115mm(17.3x16.5x4.5inch)(1pcs/Carton)



Unit: mm/inch

# LED FLOOD LIGHT D5

FL-D5150W UXYZ

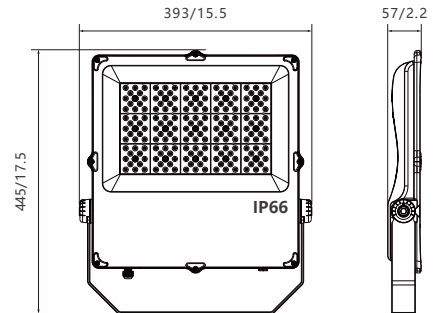


VENAS



## Specification

Input Voltage	AC100-277V
Power Consumption(10%)	150W
Surge Protection	10Kv/20Kv(optional)
Intelligent Control	DALI/DMX512
LED Chip	2835/5050
Efficiency(±5%)	130 lm/W; 160 lm/W
CCT	3000K/4000K/5000K/6000K
CRI	70/80
Beam Angle	30°/45°/60°/90°/120°/T30x90/T3VS/T2VS
IP Rating	IP66
IK Rating	IK08
Working Temperature	-40°C(-40°F) - +50°C(122°F)
Lifespan	50,000 Hours
Warranty	5 Years
Housing Material	Die-casting aluminum housing and PC lens
Net Weight	5.4kg(11.9lbs)
Gross Weight	6.0kg(13.2lbs)
Product Dimension	393x445x57mm(15.5x17.5x2.2inch)
Packing Size	490x420x115mm(19.3x16.5x4.5inch)(1pcs/Carton)



Unit: mm/inch

# LED FLOOD LIGHT D6

FL-D6200W/240W UXYZ

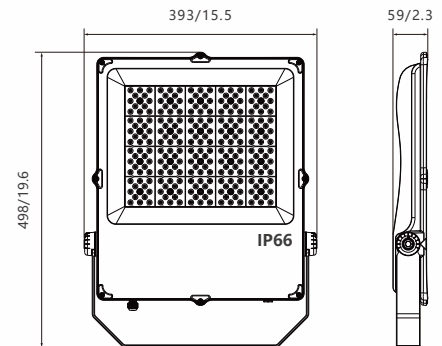


VENAS



## Specification

Input Voltage	AC100-277V
Power Consumption(10%)	200W/240W
Surge Protection	10Kv/20Kv/(optional)
Intelligent Control	DALI/DMX512
LED Chip	2835/5050
Efficiency(±5%)	130 lm/W; 160 lm/W
CCT	3000K/4000K/5000K/6000K
CRI	70/80
Beam Angle	30°/45°/60°/90°/120°/T30x90/T3VS/T2VS
IP Rating	IP66
IK Rating	IK08
Working Temperature	-40°C(-40°F) - +50°C(122°F)
Lifespan	50,000 Hours
Warranty	5 Years
Housing Material	Die-casting aluminum housing and PC lens
Net Weight	6.5kg(14.2lbs)
Gross Weight	6.9kg(15.2lbs)
Product Dimension	393x498x59mm(15.5x19.6x2.3inch)
Packing Size	540x420x115mm(21.3x16.5x4.5inch)(1pcs/Carton)



Unit: mm/inch



# LED FLOOD LIGHT D7



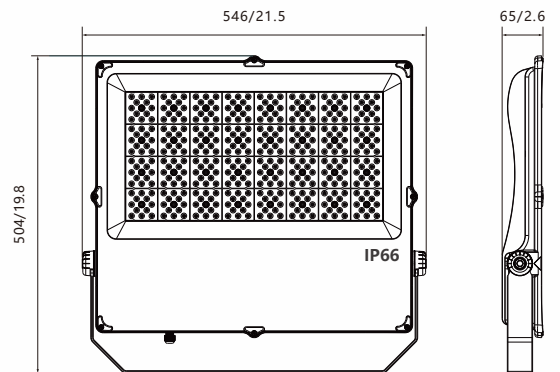
VENAS

FL-D7300W/350W/400W UXYZ



## Specification

Input Voltage	AC100-277V
Power Consumption(10%)	300W/350W/400W
Surge Protection	10Kv/20Kv/(optional)
Intelligent Control	DALI/DMX512
LED Chip	2835/5050
Efficiency(±5%)	130 lm/W; 160 lm/W
CCT	3000K/4000K/5000K/6000K
CRI	70/80
Beam Angle	30°/45°/60°/90°/120°/T30x90/T3VS/T2VS
IP Rating	IP66
IK Rating	IK08
Working Temperature	-40°C(-40°F) - +50°C(122°F)
Lifespan	50,000 Hours
Warranty	5 Years
Housing Material	Die-casting aluminum housing and PC lens
Net Weight	9.8kg(21.5lbs)
Gross Weight	10.2kg(22.5lbs)
Product Dimension	546x504x65mm(21.5x19.8x2.6inch)
Packing Size	580x550x115mm(22.8x21.7x4.5inch)(1pcs/Carton)



Unit: mm/inch

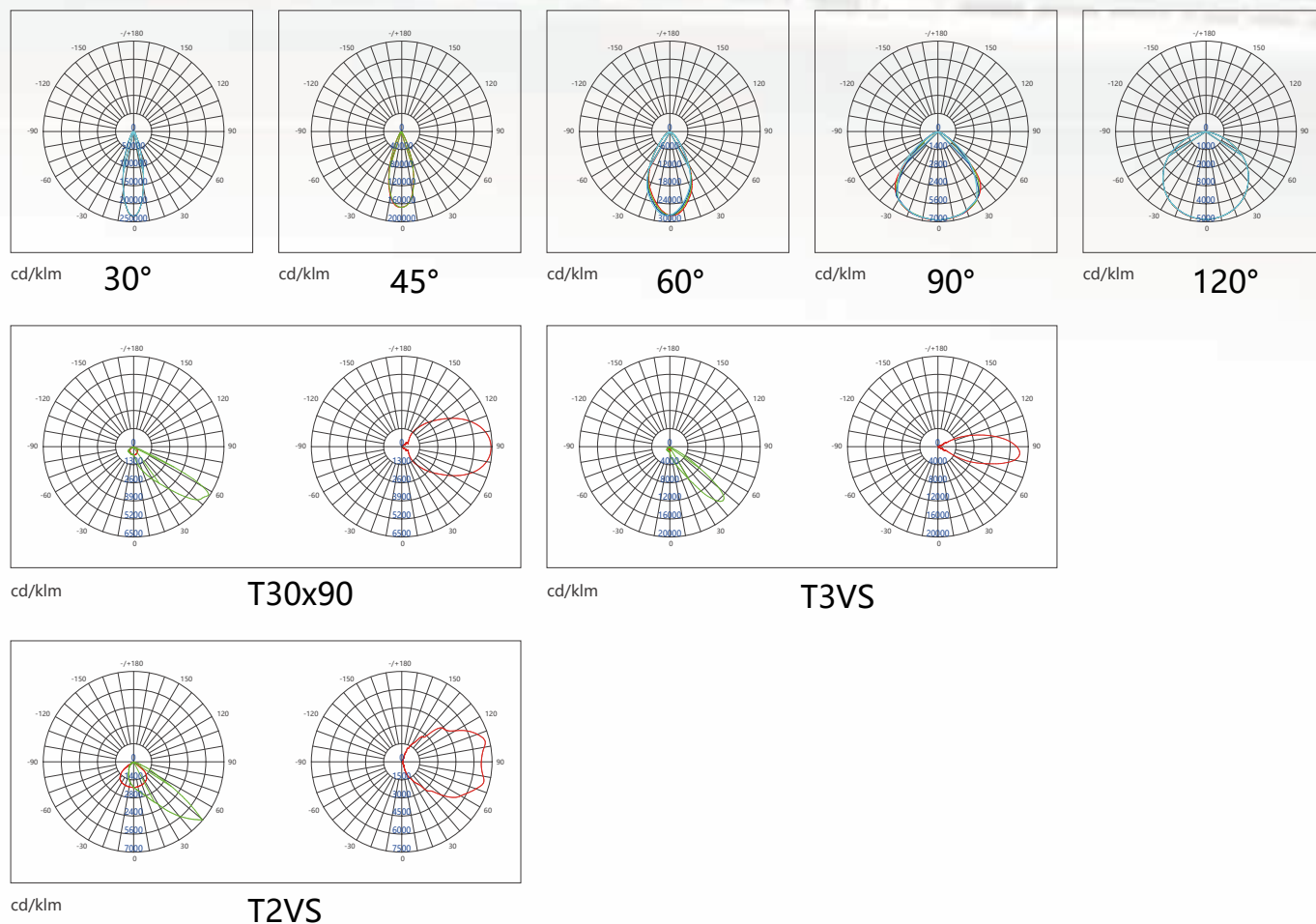
# ORDERING INFORMATION

<b>FL</b> Flood Light	<b>D</b> D Series D1/D2/D3/D4 D5/D6/D7	<b>xxxW</b> Wattage 20W/30W/50W 80W/100W/120W 150W/200W/240W 300W/350W/400W	<b>U</b> Color Temperature	<b>X</b> X=N non-dimmable X=D dimmable	<b>Y</b> Beam Angle 30°/45°/60°/90° 120°/T30x90 T3VS/T2VS	<b>Z</b> Z=N Without Sensor Z=G With Sensor Z=P Photocell Sensor
--------------------------	---	--	----------------------------------	--	---	--

# PHOTOMETRIC DIAGRAMS

Specialized anti glare optical lens to deliver symmetric and asymmetrical lighting solution

30°/45°/60°/90°/120°/T30x90/T3VS/T2VS



<END>

VENAS

