

Our new Guard Pack(GP) WallPack is a full cut-off series wallpack designed for an easy, universal installation best suited for outdoor illumination. With effective thermal management, corrosion-resistant, and die cast aluminum enclosure, the GP WallPack offers a glare free and uniform lighting, all while providing a comfortable visual experience.

Product Specs

Input Voltage (VAC)	100-277 / 347-480*
CRI	80+
CCT (K)	3000K/4000K/5000K Selectable
PF	0.9
THD	<15%
L70 (Hours)	81,000
Color	Bronze (424C), Custom*
Housing	Die Cast Aluminum
Optic Types	Clear Lens, T3 Distribution
Temperature Range	-30° C ~ 45° C
Warranty	5 Years

*Contact sales for lead time and add on costs.

Project Details		Type
Project:		
Product:		
Prepared by:		
Notes:		

APPLICATIONS

Application	Exterior / Flood
Fixture Type	Wall Mount / Cut Off
Office and Meeting Space	
Educational Facilities	X
Industrial and Distribution	X
Hospital and Healthcare Facilities	X
Garage and Parking Lot	X
Parks and Recreation	X

ENABLED: Bluetooth DLC TRU SILVAIR

CERTIFICATIONS AND COMPATIBILITIES

DIMMABLE 0-10V
 MOTION SENSOR
 -30°C - 45°C OPERATING
 IP 65
 5 YEAR WARRANTY
 RoHS
 DLC LISTED PREMIUM
 PHOTOCCELL
 24
 UL

ORDER FORMAT

Series	Wattage	CCT	Voltage	Finish Color	Accessories
WPGP	40=10W/20W/28W/40W Selectable 80=40W/50W/60W/80W Selectable	40=3000K/4000K/5000K Selectable	Blank=120-277VAC V=347-480VAC*	Blank=Bronze Custom Paint*	P3=JL-403C EC=EMB08YY-050 LLLC***

*Please contact our sales team for lead time and pricing.

***Please contact our sales team for more information about LLLC system.

INFORMATION FOR LIGHTING CONTROLS APPLICATIONS

LLLC - Luminaire Level Lighting Control (Mesh Network)	LALC - Local Area Lighting Control (Circuit Level)	SAFC - Stand Alone Fixture Control
LLLC	LALC	SAFC
Bluetooth, DLC, TRU, SILVAIR	Bluetooth, DLC, TRU, SILVAIR	<p>*possibly rebated on fixture only</p>
<p>Control-luminaire groupings typified by needs to a space or user, coordinated via wireless signals, executed at each luminaire. LLLC and networked solutions are highlighted by ability to operate independently or in mesh coordination. Note: they are not related by a power circuit.</p>	<p>LALC solutions are highlighted by their “many to one” arrangements. This can save on hardware costs with minimal labor increases. Characteristically they are linked (related) by power or control wires.</p>	<p>SAFC solutions have sensors that typically only detect and individually control a single fixture. Characteristically they have A) 1:1 sensor to fixture relationship; B) sensor integrally wired and/or affixed to fixture; C) Likely to have physical settings on the sensor, but may have hand held program tool.</p>

CONTROLS, OPTIONS, AND ACCESSORIES ↓ CLICKABLE LINKS ↓

LLLC - LUMINAIRE LEVEL LIGHTING CONTROL (MESH NETWORK)

ATG Code	Description	Model Number
W4S	Bi-level PIR Occ sensor, 12-24VDC, Side KO Mount	PSC-BL-I-FM-DC0-BLE-SR/S
P7	12V Power Supply for fixture mount w/relay	PSC-AC-PP-700C
J1	Splice Box, Double Gang, Polymer, McMaster-Carr	7360K591

LALC - LOCAL AREA LIGHTING CONTROL (CIRCUIT LEVEL)

ATG Code	Description	Model Number
W4S	Bi-level PIR Occ sensor, 12-24VDC, Side KO Mount	PSC-BL-I-FM-DC0-BLE-SR/S
P2	Dimming Power Pack, Fixture Mount, 120-277Vac Input, 12.5Vdc Output / 10A	PSC-AC-PP-200
J1	Splice Box, Double Gang, Polymer, McMaster-Carr	7360K591

SAFC - STAND ALONE FIXTURE CONTROL

ATG Code	Description	Model Number
P3	Photocontrol, Button Style, On/Off, 120-277Vac, Internal Mount	JL-403C
S9	Occupancy Sensor, Bi-Level Dim, PIR, 120-277Vac, White	FSP-221B-D-L3-W

ACCESSORIES

ATG Code	Description	Model Number
E16	Emergency Driver & SPLIT battery; 120-277/347Vac in; 8W @ 25-50Vdc out	EMB08YY-050

Application

Directly mount on to any vertical surface over a standard 4" outlet box or for surface wiring.



Construction

Constructed in a heavy-duty die cast aluminum with clear glass for brilliant light distribution. The housing is coated in an environmentally friendly polyester powder formulated for a durable and long-lasting color in a bronze finish. No toxic heavy metals, VOC, or mercury were used in the design of this product.



Electrical

Luminaire is compatible with sensors, photocells and EM units. The fixture is available with 347-480V driver options. All luminaires have been tested by an independent laboratory in accordance with IESNA LM79 and LM80. The fixture is UL and DLC Premium listed.

Optics

The Guard Pack is available with Type III optics. Color accuracy is rated at 70+ CRI, in a color temperature of 3000K/4000K/5000K selectable.

Control



FSP-221



JL-403C

Emergency Driver



EM-0825-010105-P28

PERFORMANCE CHART

Model Number	Wattage Selection	3000K			4000K			5000K		
		Wattage	Efficacy	Lumens	Wattage	Efficacy	Lumens	Wattage	Efficacy	Lumens
WPGP-28-40	10W	10.2	152.5	1555	10.1	160.2	1618	10.3	160.7	1655
	20W	21.0	147.2	3092	20.4	161.3	3290	21.1	156.3	3297
	28W	31.5	138.3	4355	30.2	155.6	4700	31.3	147.2	4606
	40W	41.8	130.1	6538	40.3	151.4	6102	42.1	139.4	5870
WPGP-40-40	40W	36.7	146.5	5377	36.1	158.2	5710	38.1	154.5	5886
	50W	54.7	144.4	7899	50.8	155.5	7901	52.7	145.9	7689
	60W	62.6	136.7	8562	59.9	150.8	9034	62.9	141.3	8890
	80W	83.5	130.2	10872	79.9	143.6	11472	83.9	134.6	11289

*This chart is based on in-house IES files.

**60W data is extrapolated. The factor is 1.05.

WPGP LUMEN MAINTENANCE

Ambient Test Temp	Report Hrs	0 Hrs	25,000 Hrs	TM-21-11 [◊] Lxx@ [rept'd hrs]	50,000 Hrs	100,000 Hrs	L70 Hrs Calculated
25° C/77° F	72,000	1	0.9291	0.8111	0.8644	0.7481	123,000

◊ Projected per IESNA TM-21-11

† DLC Reported hours = Max 6X LM-80 tested duration (Lumiled Luxeion 3030 2d L130-xyy003000W21 @12,000hrs)

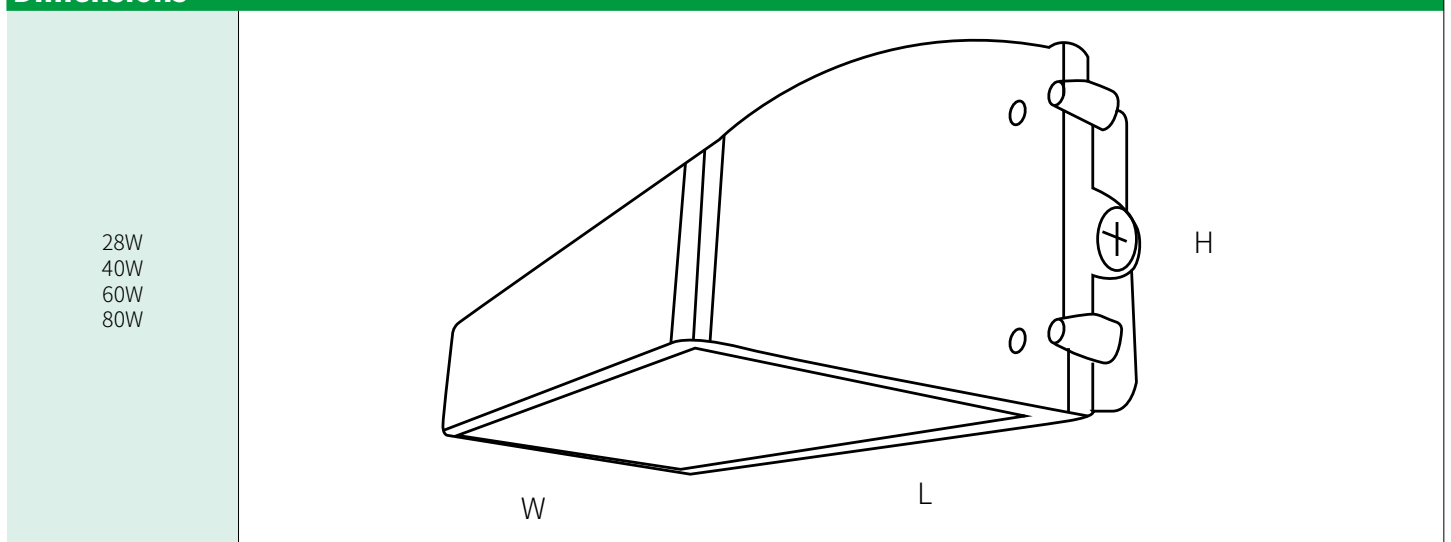
DLC REFERENCE CHART

DLC Part Number	DLC Product ID	CCT	Wattage	Efficacy	Light Output	BUG
WPGP-28-40[Blank,Px]	PLHXUHZE6AFZ	4000K	28.8	134.16	3862	B1-U1-G1
WPGP-28-50[Blank,Px]	PL40FZ1X7LU5	5000K	28.9	135.94	3930	B1-U1-G1
WPGP-40-40[Blank,Px]	PL6NBTCJ12JL	4000K	38.8	136.89	5310	B2-U2-G1
WPGP-40-50[Blank,Px]	PLYFBASQDJ1N	5000K	38.8	138.71	5381	B2-U2-G1
WPGP-60-40[Blank,Px]	PLCP44UM9GJ1	4000K	57.5	132.20	7596	B2-U2-G1
WPGP-60-50[Blank,Px]	PLBDNZTM3TKW	5000K	57.4	133.85	7678	B2-U2-G1
WPGP-80-40[Blank,Px]	PLGT4AEQSAQI	4000K	77.1	133.47	10285	B3-U2-G1
WPGP-80-50[Blank,Px]	PL1ITNA8SGEW	5000K	77.1	135.25	10422	B3-U2-G1

*3000K is not listed on DLC. The data is based on fixed wattage models.

**Not all wattage selections are listed on DLC.

Dimensions



Part No.	Length (L)	Height (H)	Width (W)
WPGP-28	12.61	7.38	5.10
WPGP-40	12.61	7.38	5.10
WPGP-60	12.61	7.38	5.10
WPGP-80	12.61	7.38	5.10

5 Year Warranty

ATG Electronics®

Industry Leading 5 Year Limited Warranty

For North American LED Lighting Fixtures

ATG Electronics warrants to the original purchaser of ATG Electronics Domestic LED products listed above that were manufactured for which the ATG Electronics Spec Sheet located on our website contains the words "5 year limited warranty" that, subject to the below terms and conditions of this warranty, when such LED products are properly installed they will comply with ATG Electronics published product specifications for such products and will be free from material defects in material and workmanship for a period of five (5) years from the date of sale by ATG Electronics, or, if lesser, 50,000 hours of operation (at an average of 13.6 hours per day operation). The LED arrays in the Product(s) will be considered defective in material or workmanship only if a total of 15% or more of the individual light emitting diodes in the Product(s) fail to illuminate.

The above express limited warranty is extended by ATG Electronics® only to the original or first end-user purchaser and only for the original installed location. This warranty only applies to products purchased after June 1, 2017. This warranty is non-transferrable, whether by assignment or operation of law. The original purchaser must provide warranty claims to ATG Electronics within the warranty period promptly upon discovery and in accordance with ATG Electronics Return and Repair Procedures as outlined within this document.

Should any defects be found by ATG Electronics upon its inspection of the properly returned product, ATG Electronics sole responsibility and liability under this warranty will be, at its option, to either repair or replace the defective part or parts or else make available a new replacement unit that will provide equal or better performance. All decisions regarding the existence or non-existence of defects or otherwise affecting the warranty shall be made by ATG ELECTRONICS and shall be final and binding on all parties. Where a defective LED product is replaced under this warranty, the balance of the original warranty period shall remain effective.

Conditions and Exclusions

This warranty is conditioned upon proper installation, use and maintenance. This warranty will automatically become null and void and shall not be applicable to any LED fixture which (i) has not been timely paid for, (ii) is not installed and operated in accordance with the current edition of The National Electric Code (NEC), the Standards for Safety of Underwriters' Laboratory, Inc. (UL) or with ATG Electronics instructions and guidelines, (iii) has been moved from its original installation, (iv) has been installed within an area that has exposure to sulfur or any area with high acidic compounds in use, (v) has been operated in an ambient temperature or humidity that is higher than the stated ambient operating range from datasheets, (vi) has been subjected to a lightning strike, power surge or overvoltage condition, (vii) has its LED Board subjected to static electricity due to failure to discharge same prior to connecting or disconnecting the lead from the LED board, (viii) was not installed and/or operated in accordance with ATG Electronics instructions and guidelines, (ix) has been mishandled, misused, abused, tampered with, modified or altered by anyone other than ATG ELECTRONICS, (x) has been subjected to abnormal stresses and operating conditions, or (xi) has been operated without overvoltage and lightning protection devices in place.

Limitations

Disclaimers & Limitations of Liability

The foregoing warranty is exclusive of all other statutory, written or oral warranties and no other warranties of any kind, statutory, by operation of law or course of performance, or otherwise, are given, herein expressed or otherwise received. EXCEPT AS EXPRESSLY PROVIDED ABOVE, ATG ELECTRONICS DISCLAIMS ALL REPRESENTATIONS, WARRANTIES AND CONDITIONS OF ANY KIND, EXPRESS OR IMPLIED, REGARDING THE LED PRODUCTS AND ITS SERVICES, INCLUDING, WITHOUT LIMITATION, THE IMPLIED WARRANTIES OF MERCHANTABILITY AND FITNESS FOR A PARTICULAR USE OR PURPOSE.

LIMITATION OF LIABILITY. Other than the obligation to repair or replace as provided above, ATG Electronics shall have no liability for any losses, expenses or damages as a result of the installation, use, inability to use, removal or replacement of any LED product. ATG Electronics will not under any circumstances whether as a result of breach of contract, breach of warranty, tort, strict liability or otherwise be liable for consequential, incidental, special or exemplary damages including but not limited to, loss of profits or revenues, loss of any other goods or associated equipment or damage to any associated equipment, cost of capital, cost of substitute products, facilities or services, down time cost or claims of claimant's customers. ATG Electronics liability on any claim of any kind for any loss or damages arising out of, resulting from or concerning any LED product, any aspect of this warranty or for any products or services furnished hereunder shall not exceed the price of the fixture which gives rise to the claim.

Return and Repair Procedures

All warranty requests and or questions are to be directed to ATG Electronics Customer Service Department (CSD) at 888-618-7298. If deemed necessary, the CSD will issue a Returned Merchandise Authorization (RMA) number which must be included on both the packing slip of the component or fixture being returned and on the outside of the box. You must include your name and contact information, including your email address, on the packing slip so that we can contact you easily. Each component or fixture must be packaged very carefully and properly so as to prevent damages in shipment and must be shipped freight prepaid. Please obtain a proof of delivery to ensure that the material is received.

Once the component or fixture has been received and tested, an evaluation report will be provided to the end user via email. This report will clarify the following:

- A) The component / fixture is covered under the warranty policy and will either be repaired or replaced.
- B) The component / fixture is not covered under the warranty policy and the reason for this determination.

If ATG ELECTRONICS determines that the component or fixture is covered under the warranty, then the appropriate repairs will be started or a replacement fixture will be manufactured and shipped. Please note that in the event the returned component or fixture is found not to be covered under this warranty, you may be subject to a labor charge for the evaluation process and will be responsible for all return shipping charges and fees. For components and fixtures determined to be covered under this warranty prior to the first anniversary of the Sale Date, the repaired or replacement component or fixture will be returned to you at no charge. You will be responsible for all other shipping charges.

No Labor Reimbursement

All components and fixtures determined to be covered by this warranty as provided above, will be repaired or replaced at no charge to the customer, however, except as expressly provided above with respect to recessed and linear fixtures during the first year, the customer must hire and pay for an electrician to remove and reinstall such components and fixtures. No labor costs will be covered for the removal or reinstallation of any components or fixtures. The warranty does not cover modifications, repairs or replacements, or the related labor or materials costs, that may be necessary to facilities or third party products in connection with the removal, repair, or replacement of any LED product under this warranty.