

Incredible **100,000** hrs

GENERAL DESCRIPTION

Neptun's LED bollards features architectural design and durability to make it an excellent choice for new construction or retrofit applications. The LED-B94 series feature custom engineered optics for excellent illumination and uniformity. It can replace existing HID & HPS fixtures up to 100W.

APPLICATION

- Security Lighting
- Area Lighting
- Walkway Lighting
- Landscape Lighting

STRUCTURE, MATERIALS, & FEATURES

- Heavy-gauge, die-cast aluminum housing.
- High Efficiency, UV protected, non-yellowing polycarbonate lens.
- Corrosion resistant electrocoat black finish (custom colors available).
- Continuous silicone gasketing surrounds lens for weather - tight seal.
- High output COB LED's.
- Bright white light (5000°K) for greater visibility and safety.
- High power factor, low THD driver with 6kV/3kA surge protection.
- InstantON flicker-free Cold Start and Hot Re-Start.
- Up to 15 years Maintenance free operation.
- 5 Year Warranty on complete fixture. (LED's & Housing)

ORDERING INFORMATION

Sample Number: LED-BL94A-015-UNV-850-BLK
Custom options and accessories available. Please consult factory

Series	Wattage	Voltage	Color Temp.	Color
LED-BL94A = 19.75" Bollard LED-BL94C = 31.5" Bollard	015 = 15 W	UNV = 120-277VAC	835 = 3500°K 841 = 4100°K 850 = 5000°K* * Standard	BLK = Black * Custom Colors Available



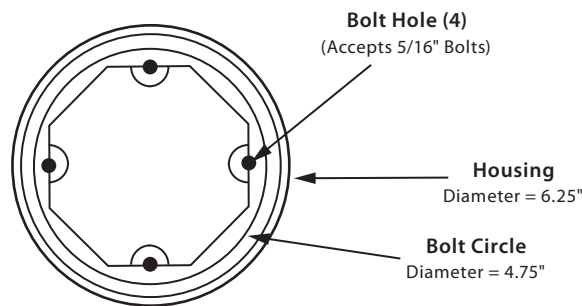
PRODUCT INFORMATION

Model No.	Description	Rated Watts	Input Watts	Delivered Lumens	Universal Line Voltage (VAC)	Max Line Current (Amp) @ 120 - 277	THD	Power Factor	Weight
LED-BL94A015-UNV	Bollard Fixture	15	16	1,250	120 - 277	0.13 - 0.05	<20%	>0.90	20 lbs
LED-BL94C015-UNV	Bollard Fixture	15	16	1,250	120 - 277	0.13 - 0.05	<20%	>0.90	20 lbs

SPECIFICATIONS

- LED Driver Constant Current
- Power Supply 350mA
- Start Method InstantON
- Hot Re-start InstantON
- Universal Input Line Voltage 120-277 VAC
- Input Line Frequency 50/60 Hz
- Driver Off-State Draw 0 Watts
- Sound Rating Class A
- Projected (L70) @ 25°C > 100,000 hrs.
- Color Temperature 5,000°K
- Color Rendering Index (CRI) > 80
- Minimum Starting Temperature -40°C
- Maximum Starting Temperature +50°C
- Lumens per Watt > 80
- Shock / Vibration Resistant Yes
- Power Factor > 0.90
- Total Harmonic Distortion < 20%
- Inrush Current Peak < 10 Amp
- FCC Compliance Part 15, Subp. C
- IP Rating IP65
- Warranty 5 Year

DRILLING PATTERN



(Bolts Not Included)