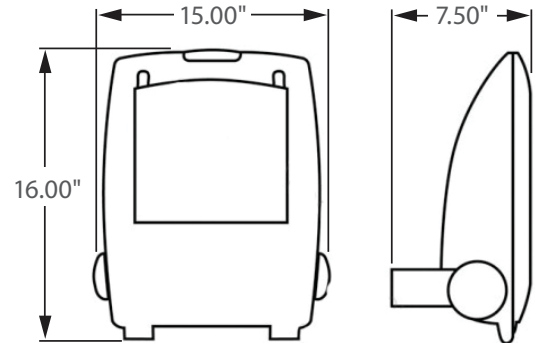




**** AVAILABLE ****
0 - 10V
FULL DIMMING



Incredible **100,000** hrs

GENERAL DESCRIPTION

Neptun's LED Flood fixtures feature classic form and durability to make it an excellent choice for new construction or retrofit applications. Neptun's LED-61 series fixtures feature high output LED's and custom engineered optics to provide excellent uniformity and efficiency. It can replace existing HID & HPS fixtures up to 400 Watts.

APPLICATION

- Building Accent Lighting
- Landscape Lighting
- Security Lighting
- Parking Lot Lighting
- Area Lighting
- Storage Area Lighting
- Sign Lighting

STRUCTURE, MATERIALS, & FEATURES

- Heavy-gauge, die-cast aluminum housing.
- Heat and impact resistant tempered glass lens with anti-glare diffuser.
- Corrosion resistant electrocoat finish (custom colors available).
- Continuous silicone gasket surrounds lens for weather - tight seal.
- Tool-less entry design for easy maintenance and installation.
- Adjustable yoke bracket mounting included.
- High Output COB LED's with borosilicate glass lens optics.
- High power factor, low THD driver with 6kV/3kA surge protection.
- InstantON flicker-free Cold Start and Hot Re-Start.
- Up to 15 years Maintenance free operation.
- 5 Year Warranty on complete fixture. (LED's, Driver, & Housing)
- **Optional:** 0-10V Dimming, Remote Monitoring and ON/ OFF Control, DC 24V Operation - Solar Compatible

ORDERING INFORMATION

Sample Number: LED-61100-UNV-0-10VDIM-850-B90-GRY
 Custom options and accessories available. Please consult factory

Series	Wattage	Voltage	Options	Color Temp	Beam Spread	Color
LED-61 = Flood Light	100 = 100 W 120 = 120 W 150 = 150 W	UNV = 120-277 VAC 347V = 347 VAC 480V = 480 VAC 24VDC = 24 VDC	0-10VDIM = 0-10V Dimming * Contact Factory for Dimming options	835 = 3500°K 841 = 4100°K 850 = 5000°K * * Standard	B45 = 45° Beam B90 = 90° Beam	GRY = Grey BLK = Black * Custom Colors Available



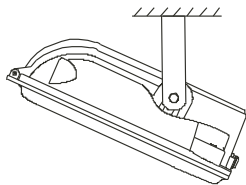
PRODUCT INFORMATION

Model No.	Description	Rated Watts	Input Watts	Delivered Lumens	Universal Line Voltage (VAC)	Max Line Current (Amp) @ 120 - 277	THD	Power Factor	Weight
LED-61100-UNV	LED Flood Fixture	100	102	11,000	120-277	0.87 - 0.37	<20%	>0.90	16 lbs
LED-61120-UNV	LED Flood Fixture	120	122	13,200	120-277	1.05 - 0.45	<20%	>0.90	16 lbs
LED-61150-UNV	LED Flood Fixture	150	152	16,500	120-277	1.31 - 0.56	<20%	>0.90	16 lbs

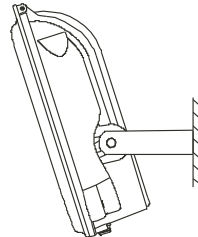
SPECIFICATIONS

- Driver Constant Current
- Start Method InstantON
- Hot Re-start InstantON
- Power Supply 350mA
- Driver UL Rating Class 1
- Driver UL Outdoor Rated Wet Location
- Sound Rating Class A
- ANSI Surge Protection IEEE C62.41 C High
- Driver Off-State Draw 0 Watts
- Universal Input Line Voltage 120-277 VAC
- Input Line Frequency 50/60 Hz
- Projected (L70) @ 25°C > 100,000 hrs.
- Color Temperature 5,000°K
- Color Rendering Index (CRI) > 80
- Beam Angle 45° / 90°
- Minimum Starting Temperature -40°C
- Maximum Starting Temperature +50°C
- Lumens per Watt > 100
- Shock / Vibration Resistant Yes
- Power Factor > 0.90
- Total Harmonic Distortion < 20%
- Inrush Current Peak < 10 Amp
- FCC Compliance Part 15, Subp. C
- Housing IP Rating IP65
- Driver IP Rating IP67
- Warranty 5 Year

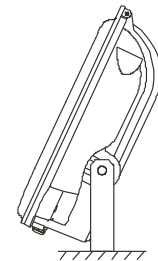
MOUNTING OPTIONS



Ceiling Mount

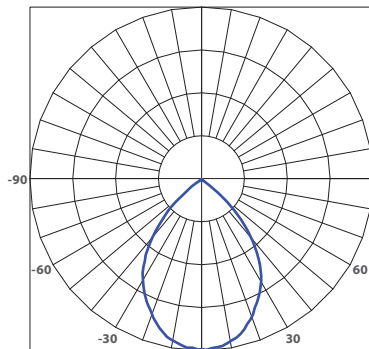


Wall Mount

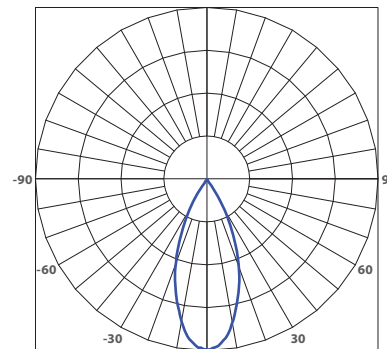


Ground Mount

PHOTOMETRICS (See Complete IES File)



90° Beam (B90)



45° Beam (B45)