



AVTM 2nd Gen LED POST TOP LIGHT



Beyond LED Technology's AV 2nd Gen Circular Post Top Garden Light is another great option when it comes to replacing multiple lights. Due to its circular design, this light gives you 155° Type V of lighting rather than lights that can only be directed in one direction. This makes this light perfect for parking lots and sidewalks etc.

Product Features

- Up to 128 lumens per watt
- CCT Adjustable 4000K / 5000K
- Input Voltage 120-277Vac
- Replaces exiting HID fixtures up to 400 watt
- Dusk-to-dawn photocell option
- Die-Cast aluminum housing AV 2nd Gen
- Heat resistant polycarbonate optical lens
- Beam Angle 155° Degree Type V
- IP65 Waterproof Rated
- Bronze Housing
- UL & DLC Listed
- 5 Year warranty

AVTM 2nd Gen

LED POST TOP LIGHT



SKU #	Model #	Watt	Lumens	CCT Adjustable	Housing	Input Voltage	Certifications
155651	BLT-GS03-150WBT5A1-BR10SPGM40/50	150W	19200Lm	4000K / 5000K	Bronze	120V-277V	UL & DLC

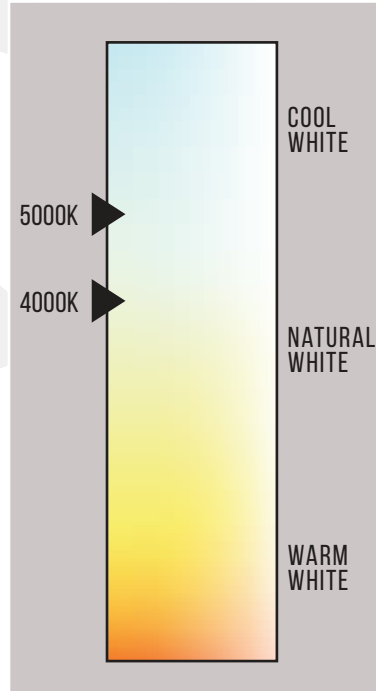
SKU #. 155651 Specifications

Parameter	Description	Value
General Performance	Model #	BLT-GS03-150WBT5A1-BR10SPGM40/50
	Wattage	150W
	Lumen	19200LM
	Lumen Efficacy	128 Lumens per watt
	Color Temperature	4000K / 5000K
	CRI (Ra)	>80
	Beam Angle	155*90 Degree Type V
	Distribution Pattern	Type III (Optional: TYPE V)
Electrical	Input Voltage	120-277Vac
	Frequency	50/60Hz
	Dimming	0-10V
	Power Factor	≥0.9
	Flicker Percent	<30%
	Driver Surge Protection	L/N-PE: 4kV, L-N: 6kV
Physical	Operating Temperature	-40°C TO 50°C
	Operating Humidity	5% - 95% RH
	Storage Temperature	-40°C TO 80°C
	Storage Humidity	5% - 95% RH
	LED Qty	187 Pcs
	LED Brand	Lumileds
	LED Type	SMD 2835
	Housing	Die-cast aluminum
Housing Color	Bronze	
Qualification	IP Rating	IP65
	Warranty	5 Year

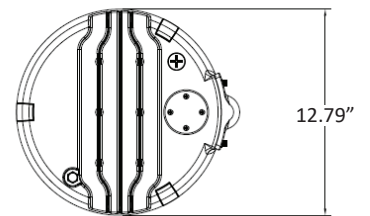
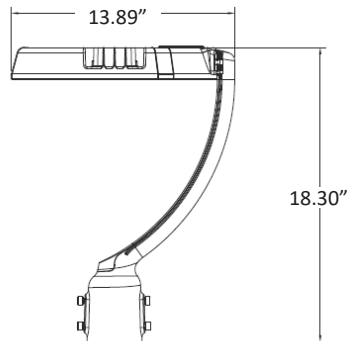
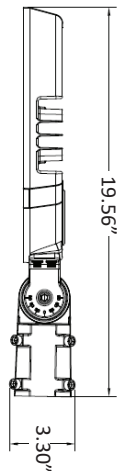
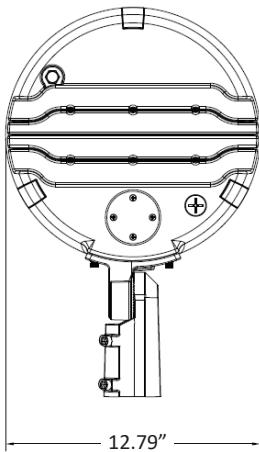


AVTM 2nd Gen LED POST TOP LIGHT

Correlated Color Temperature (CCT)



Dimensions



AVTM 2nd Gen

LED POST TOP LIGHT



Photometric Result

Luminaire Property

Luminaire Manufacturer:

Voltage: 121.2 V

Power: 144.30 W

Current: 1.202 A

Power Factor: 0.991

Photometric Results

IES Classification: Type III

Total Rated Lamp Lumens: 20388.9 lm

Efficiency: 100%

Upward Ratio: 0%

Central Intensity: 4905.69 cd

Pos of Max. Intensity: H157.5 V69

Longitudinal Classification: Medium

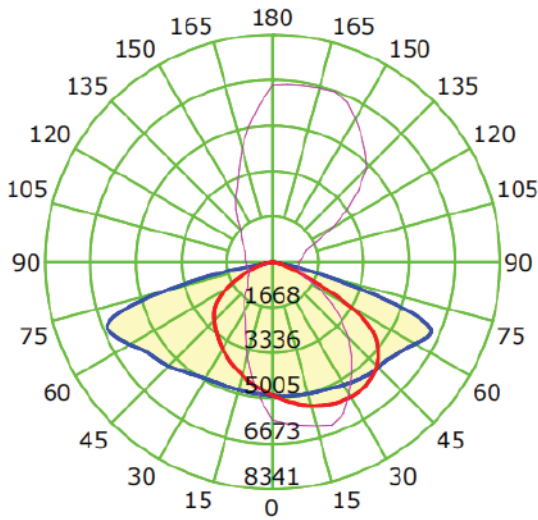
Measurement Flux: 20388.9 lm

Downward Ratio: 100%

Luminaire Efficacy Rating (LER): 141.34

Max. Intensity: 6673.38 cd

Luminous Intensity Distribution Curve

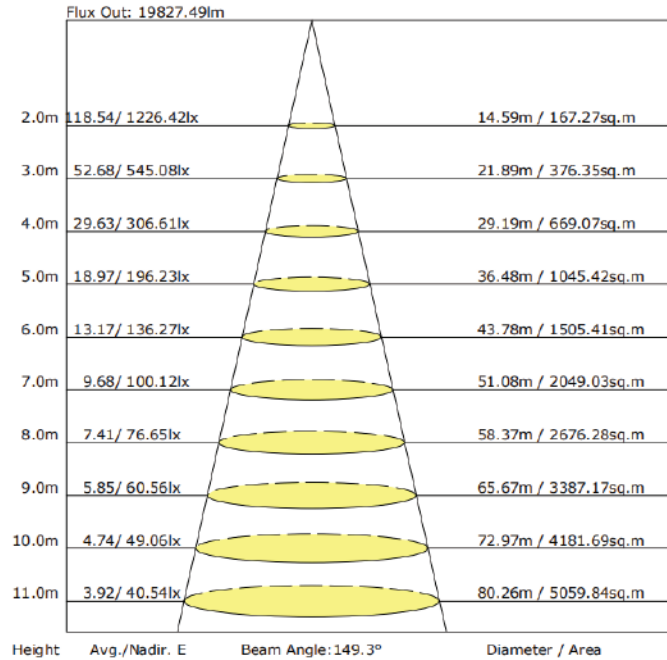


Unit: cd

Average Diffuse Angle(50%): 129.7°

— C0-C180 — C90-C270 — G69

The Average Illuminance Effective Figure





AVTM 2nd Gen

LED POST TOP LIGHT

Installation

Cautions:

1. Do not use the electric generator to test this LED light.
2. Please abide by related country, regional and local law and regulations when install this fixture.
3. Please turn off the power before installation or maintenance.
4. Proper earth grounding is required to ensure safety.
5. Make the lighting facing downward vertically after installation

Notice:

1. To avoid possibility of electrical shock or fire, the installation personnel must have professional electric knowledge.
2. Please wear gloves to avoid injury before installation.
3. If any smoke or spark of the wire happened, please turn off the power immediately and notify relevant personnel.

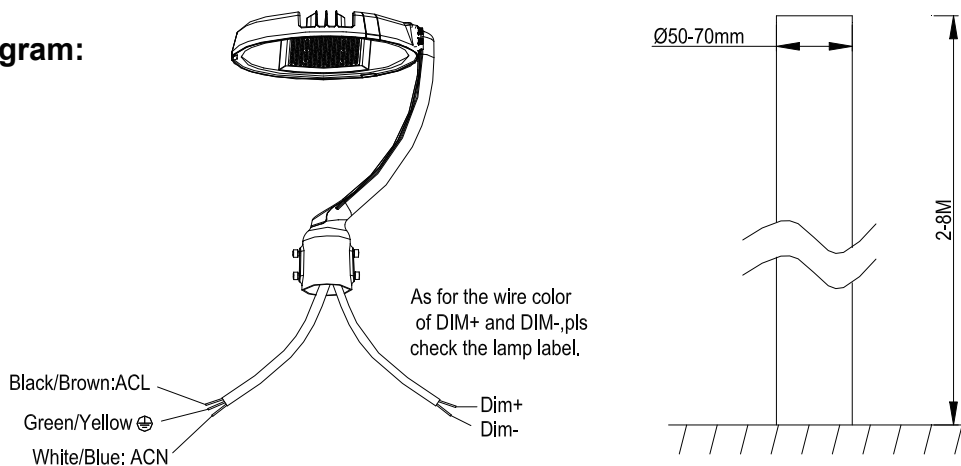
Attention:

1. Please check if there is any damage during shipping. If so, please contact manufacturer timely.
2. Please read the installation instruction carefully to check whether all the accessories are complete. After confirmation, install the fixture according to installation steps.

Instructions:

1. This product has dimming function.
2. 3 dimming functions are available in this LED light.
 - (1). Constant current can be achieved by 0-10VDC dimming.
 - (2). PWM signal dimming.
 - (3). Variation of resistance unit dimming (Please choose the appropriate dimming way according to your needs. You can also choose not to use this function).
3. Choose the wire connection ways, dimming ways and installation ways according to your needs and the led fixture purchased.

Wiring Diagram:



AVTM 2nd Gen

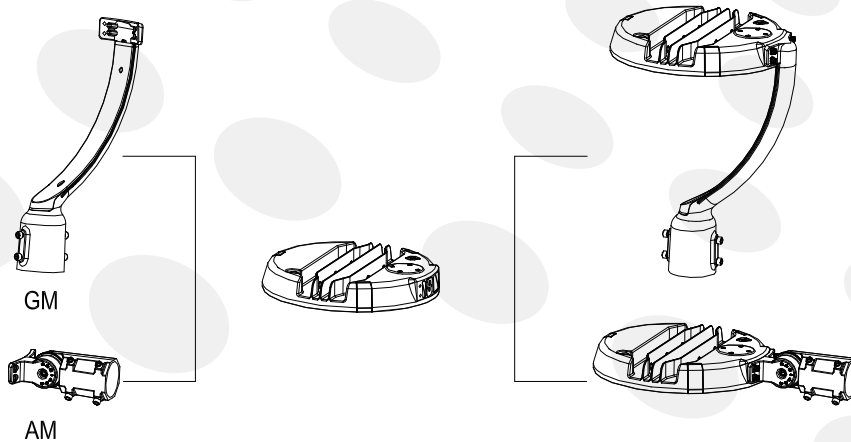
LED POST TOP LIGHT



Installation

Optional Brackets and Installation Instructions

There are 2 optional brackets for this fixture. The following is garden light and shoebox fixtures with different Brackets



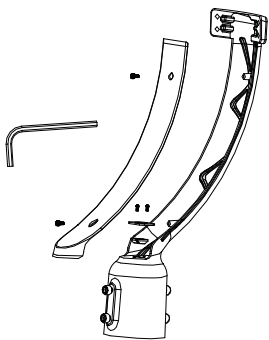
Installation Instructions with different brackets

1. GARDEN MOUNTING (e=GM)

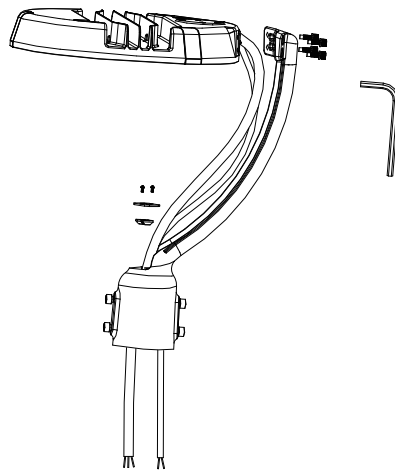
Step 1: Separate the bracket with tool. (Figure 1)

Step 2: Put input wire of the light across the bracket. (Figure 2)

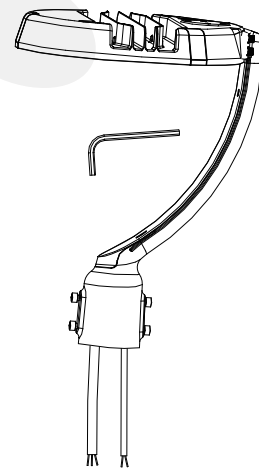
Step 3: Let input wire go through the bracket and lock the bracket. (Figure 3)



(Figure 1)



(Figure 2)



(Figure 3)



AVTM 2nd Gen LED POST TOP LIGHT

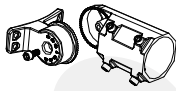
Installation

2. ADJUSTABLE FITTER MOUNTING (e=AM)

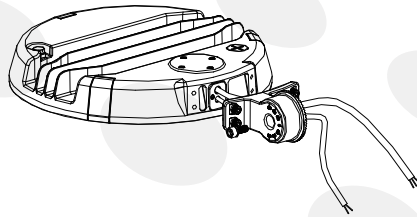
Step 1: Separate the bracket with tool. (Figure 1)

Step 2: Put input wire of the light across the bracket. (Figure 2)

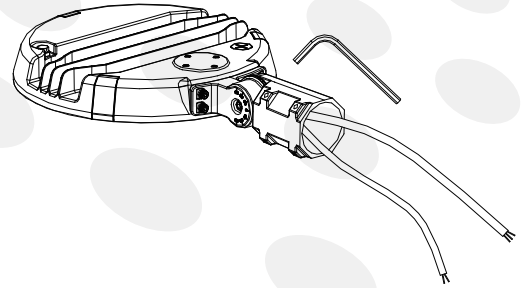
Step 3: Let input wire go through the bracket and lock the bracket. (Figure 3)



(Figure 1)



(Figure 2)



(Figure 3)

Installation of LED Light:

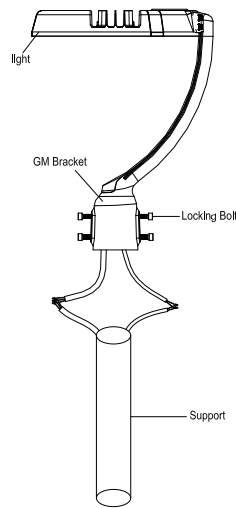
1. GARDEN MOUNTING (e=GM)

Step 1: Connect the wire correctly and put the wire into the pole.

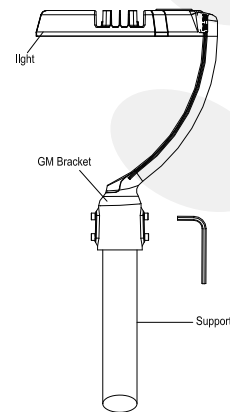
Fasten the locking bolts between slip fitter and the pole.(Figure 1)

Step 2: Loosen the fixing bolts and adjusting bolts, align the fixture to required angle.

Tighten adjusting bolt and fixing bolts after the angle is confirmed.(Figure 2)



(Figure 1)



(Figure 2)

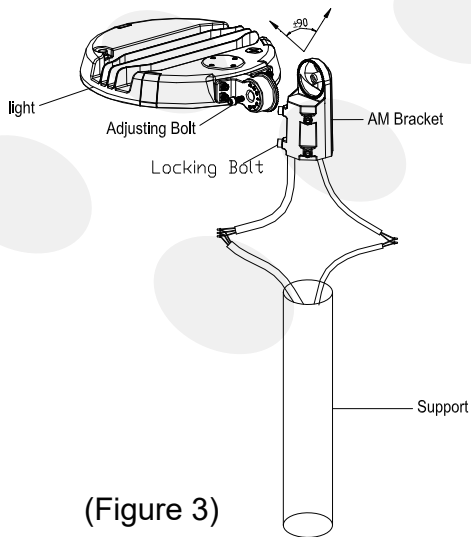
2. ADJUSTABLE FITTER MOUNTING (AM)

AVTM 2nd Gen LED POST TOP LIGHT

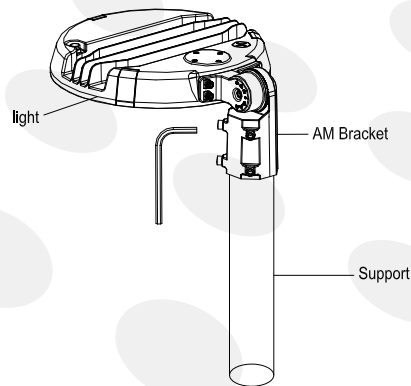


Installation

- Step 1: Connect the wire correctly and put the wire into the pole.
Fasten the locking bolts between slip fitter and the pole.(Figure 3)
- Step 2: Loosen the fixing bolts and adjusting bolts, align the fixture to required angle.
Tighten adjusting bolt and fixing bolts after the angle is confirmed.(Figure 4)
- Notice: Adjustable angle range is 0~+/-90°(Figure 3)



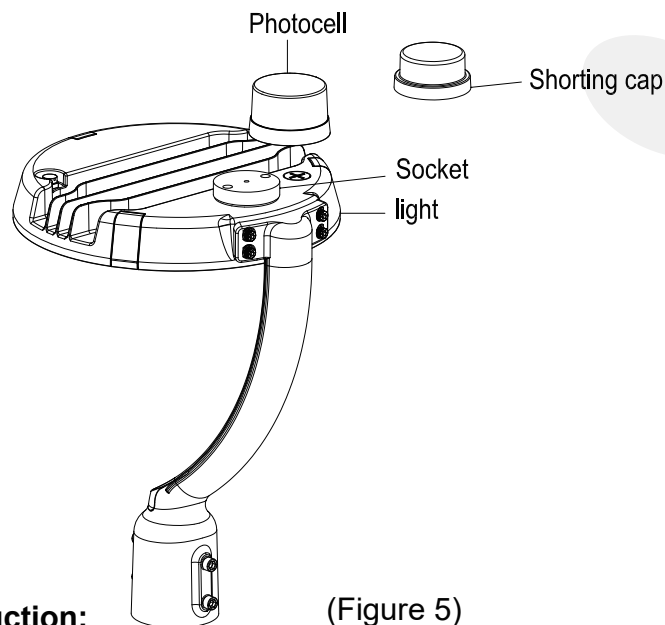
(Figure 3)



(Figure 4)

Instructions for Photocell

When the photocell function is required, photocell should be installed on the back of light;
When it's not required,shorting cap should be installed on the back of light.(Figure 5)



(Figure 5)

Special Functions Instruction:

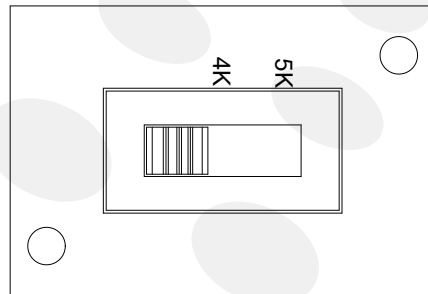


AVTM 2nd Gen LED POST TOP LIGHT

Installation

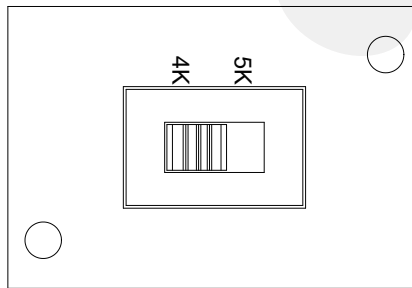
1. Color temperature adjustable

1. The color temperature of the lamp turns to 4000K when the DIP switch is set to 4K.
2. The color temperature of the lamp turns to 5000K when the DIP switch is set to 5K.



2. Color temperature adjustable

1. The color temperature of the lamp turns to 4000K when the DIP switch is set to 4K.
2. The color temperature of the lamp turns to 5000K when the DIP switch is set to 5K.



3. CCT adjustment integrated controller

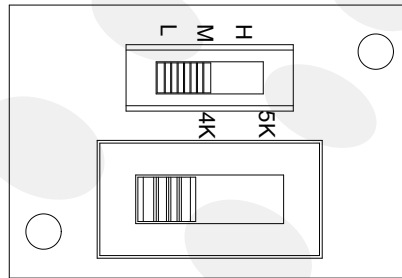
1. The color temperature of the lamp turns to 4000K when the DIP switch is set to 4K.
2. The color temperature of the lamp turns to 5000K when the DIP switch is set to 5K.

AVTM 2nd Gen LED POST TOP LIGHT



Installation

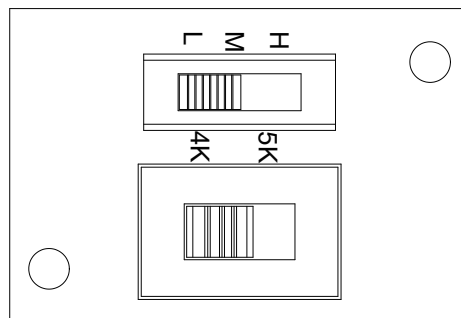
Turn the DIP switch to different position, the power of the lamp will change to the corresponding wattage.



5. CCT adjustment integrated controller

1. The color temperature of the lamp turns to 4000K when the DIP switch is set to 4K.
2. The color temperature of the lamp turns to 5000K when the DIP switch is set to 5K.

Turn the DIP switch to different position, the power of the lamp will change to the corresponding wattage.





AVTM 2nd Gen LED POST TOP LIGHT

Installation

NOTICE FOR USER

- Please turn off power before install or change assembly parts.
- The input voltage and lamps should be matched, after connecting the power line, Please make sure the wiring section is insulated.
- No-professionals, must not install and disassemble the lamps.

TROUBLE SHOOTINGS

Troubles	Check points
Flickering of the light	Turn off the power and turn on again in 3 minutes. If same phenomena occur, then call agencies.
Out of working	Please check the connection.

Packaging

Type	Carton Size	Qty	Net Weight/Ctr.	Gross Weight/Ctr.
Outer Box	19.29 x 18.50 x 5.70		10.14 LBS	12.78 LBS

Application Image



AVTM 2nd Gen LED POST TOP LIGHT



Application Image



LED POST TOP LIGHT

Warranty

5 Year Warranty