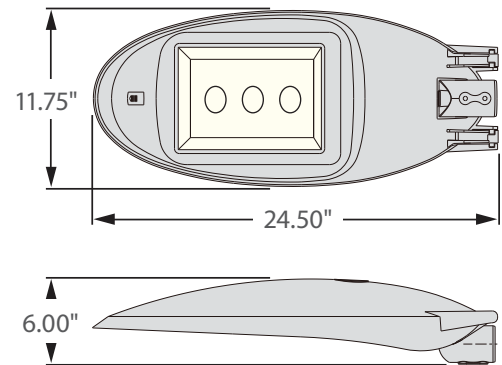




**** AVAILABLE ****
0 - 10V
FULL DIMMING



Incredible **100,000 hrs**

GENERAL DESCRIPTION

Neptun's LED street light fixtures combine architectural form and versatility to make it an excellent choice for new construction or retrofit applications. The LED-882 series fixture is offered in a variety of wattages to provide maximum flexibility in all types of applications. The High output LED's and custom engineered optics provide excellent uniformity and efficiency. It can replace existing HID & HPS Street Light fixtures up to 250W.

APPLICATION

- Street Lighting
- Walkway Lighting
- Area Lighting
- Security Lighting

STRUCTURE, MATERIALS, & FEATURES

- Heavy-gauge, die-cast aluminum housing with concealed cooling fins.
- Corrosion resistant electrocoat finish (custom colors available).
- Slim, state of the art, low profile design for minimum wind load resistance.
- Continuous silicone gasket surrounds lens for IP68 weather tight seal.
- Optional NEMA Twistlock Photocell for increased energy savings.
- Tool-Less entry housing w/ quick disconnect for easy installation.
- Internal Bubble Level for easy installation.
- High Output COB LED's with borosilicate glass lens optics.
- High power factor, low THD driver with 6kV/3kA surge protection.
 Optional 20kV/10kA surge protector available.
- InstantON flicker-free Cold Start and Hot Re-Start.
- Up to 15 years Maintenance free operation.
- 10 Year Warranty on complete fixture. (LED's, Driver, & Housing)
- **Optional:** 0-10V Dimming, Wi-Fi Control, Remote Monitoring and ON/ OFF Control, DC 24V Operation - Solar Compatible

ORDERING INFORMATION

Sample Number: LED-882070-L3-UNV-0-10VDIM-850-LD-GRY
 Custom options and accessories available. Please consult factory

| Series | Wattage | Voltage | Options | CCT | Accessories | Optics | Color |
|------------------------|---|---|---|--|--|------------------------------|---|
| LED-882 = Street Light | 070-L3 = 70 W 080-L3 = 80 W 090-L3 = 90 W | UNV = 120-277 VAC 347V = 347 VAC 480V = 480 VAC 24VDC = 24 VDC | 0-10VDIM = 0-10V Dimming * Contact factory for dimming options | 830 = 3000°K 835 = 3500°K 841 = 4100°K 850 = 5000°K | LD = NEMA Twist-Lock Photocell & Receptical LDR-3P = 3-Pin Photocell Receptical LDR-7P = 7-Pin Photocell Receptical SP = 20kV/10kA surge protector HSGS = House Side Glare Shield LGN = Light Genie Node * * Contact factory for product Information | T2 = Type 2 T2N = Type 2N | GRY = Grey BRZ = Bronze * Custom Colors Available |



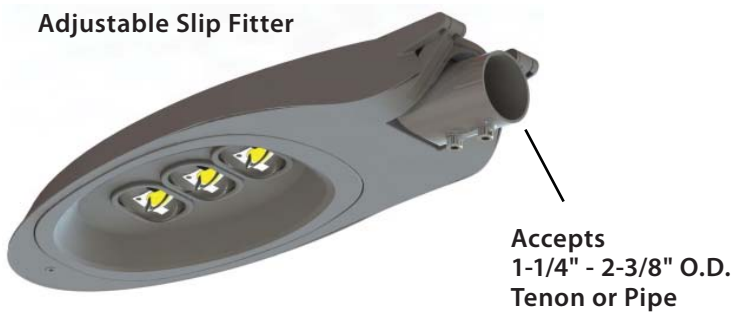
PRODUCT INFORMATION

| Model No. | Description | Rated Watts | Input Watts | Delivered Lumens | Universal Line Voltage (VAC) | Max Line Current (Amp) 120 - 277 | THD | Power Factor | Weight |
|-------------------|----------------------|-------------|-------------|------------------|------------------------------|----------------------------------|------|--------------|--------|
| LED-882070-L3-UNV | Street Light Fixture | 70 | 72 | 8,400 | 120-277 | 0.61 - 0.26 | <20% | >0.90 | 18 lbs |
| LED-882080-L3-UNV | Street Light Fixture | 80 | 82 | 9,600 | 120-277 | 0.69 - 0.30 | <20% | >0.90 | 18 lbs |
| LED-882090-L3-UNV | Street Light Fixture | 90 | 92 | 10,800 | 120-277 | 0.78 - 0.34 | <20% | >0.90 | 18 lbs |

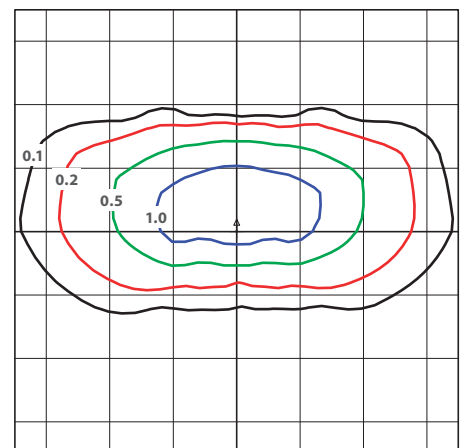
SPECIFICATIONS

- Driver Constant Current
- Start Method InstantON
- Hot Re-start InstantON
- Power Supply 350mA
- Driver UL Rating Class 1
- Driver UL Outdoor Rated Wet Location
- Sound Rating Class A
- ANSI Surge Protection IEEE C62.41 C High
- Current Crest Factor 1.5 maximum
- Load Regulation: 5% output current variation across load range
- Line Regulation: 1% output voltage variation across voltage range
- Driver Off-State Draw 0 Watts
- Vibration Compliance 3G
- Universal Input Line Voltage 120-277 VAC
- Input Line Frequency 50/60 Hz
- Projected (L70) @ 25°C > 100,000 hrs.
- Color Temperature Multiple
- Color Rendering Index (CRI) > 80
- Minimum Starting Temperature -40°C
- Maximum Starting Temperature +50°C
- Lumens per Watt > 100
- Shock / Vibration Resistant Yes
- Power Factor > 0.90
- Total Harmonic Distortion < 20%
- Inrush Current Peak < 10 Amp
- FCC Compliance Part 15, Subp. C
- EPA Rating 0.50 ft.²
- Housing IP Rating IP65
- Driver IP Rating IP67
- Optics IP Rating IP68
- Warranty 10 Year

MOUNTING OPTIONS



PHOTOMETRICS (See Complete IES File)



Horizontal Footcandles
Scale: 1 Hash = 30 Ft.
Light Loss Factor = 1.00
Total Lamp Lumens = 9666
Mounting Height = 30.00 Ft., Tilt = 5 Degrees
Maximum Calculated Value = 1.50 Fc
Arrangement: Single

NEPTUN LIGHT, INC.
LED-882080-L3-UNV-850