

Dimensions in inches

| Product Type | A(max.) | B(max.) | C(max.) |
|--------------|---------|---------|---------|
| 15W (3')     | 35.8"   | 35.4"   | 35.22"  |

## Incredible 70,000 hrs

### GENERAL DESCRIPTION

Neptun's high performance LED T8 tubes are designed for the replacement of existing T8 fluorescent lighting systems. The 88 series tubes are offered in a variety of color temperatures for flexibility in all types of applications. The frosted lens allows for an evenly illuminated glow resembling existing fluorescent tubes. Very low temperature operation saves on HVAC costs and long life greatly reduces maintenance costs. The self-ballasted design allows for easy installation into most commonly used T-8 system fixtures.

### APPLICATION


- Office Lighting
- School Lighting
- Healthcare Lighting
- Storage Lighting

### STRUCTURE, MATERIALS, & FEATURES

- Aluminum backing for excellent thermal management.
- Frosted non yellowing polycarbonate lens for even glow. (Glare Free)
- Correlated Color Temperatures of 3500°K, 4100°K, & 5000°K.
- Mercury free design.
- No radiated EMI interference.
- 288 PCS High Output LED's.
- High power factor, low THD internal driver.
- InstantON flicker-free Cold Start and Hot Re-Start.
- Up to 15 years Maintenance free operation.
- 5 Year Warranty.

### ORDERING INFORMATION

Sample Number: LED-88015-UNV-841-1P-R17D  
 Custom options and accessories available. Please consult factory

| Source    | Series        | Wattage    | Voltage           | Color Temp.                                  | Wiring Config.                                      | Options  |
|-----------|---------------|------------|-------------------|--|---|--|
| LED = LED | 88 = T8 Tubes | 015 = 15 W | UNV = 120-277 VAC | 835 = 3500°K<br>841 = 4100°K<br>850 = 5000°K | 1P = Single Ended<br>2P = Dual Ended<br>* See Pg. 2 | R17D = Recessed Double Contact Caps<br> |



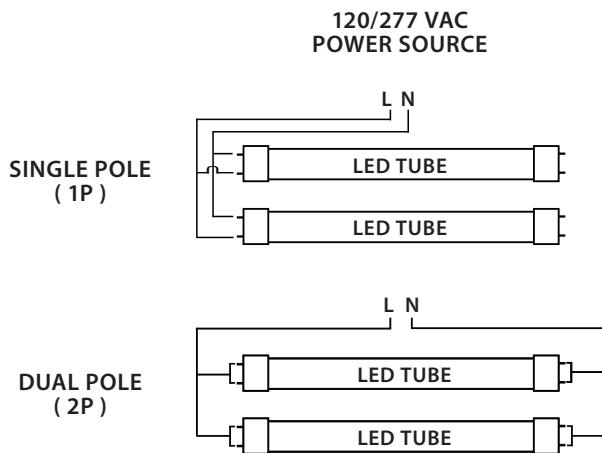
### PRODUCT INFORMATION

| Model No.         | Watts | Input Line Current (Amp) @ 120 - 277 | Power Factor | THD  | Color Temp. CCT (°K) | CRI | Lumens | Lm/W | Nominal Length (Inch) | Base   | Beam Angle |
|-------------------|-------|--------------------------------------|--------------|------|----------------------|-----|--------|------|-----------------------|--------|------------|
| LED-88015-UNV-835 | 15    | 0.131-0.056                          | >0.90        | <20% | 3,500°               | >80 | 1,500  | 100  | 36"                   | Bi-Pin | 120°       |
| LED-88015-UNV-841 | 15    | 0.131-0.056                          | >0.90        | <20% | 4,100°               | >80 | 1,530  | 102  | 36"                   | Bi-Pin | 120°       |
| LED-88015-UNV-850 | 15    | 0.131-0.056                          | >0.90        | <20% | 5,000°               | >80 | 1,560  | 104  | 36"                   | Bi-Pin | 120°       |

### SPECIFICATIONS

- LED Driver ..... Self-Ballasted
- Power Supply ..... 350mA
- Start Method ..... InstantON
- Hot Re-start ..... InstantON
- Universal Input Line Voltage ..... 120-277 VAC
- Input Line Frequency ..... 50/60 Hz
- Driver Off-State Draw ..... 0 Watts
- Sound Rating ..... Class A
- LED / Driver System Life ..... 70,000 Hrs.
- Lumen Maintenance @50,000Hrs ..... > 70%
- Color Temperature ..... Various
- Color Rendering Index (CRI) ..... > 80
- Minimum Starting Temperature ..... -35°C
- Maximum Starting Temperature ..... 45°C
- Lumens per Watt ..... > 100
- Shock / Vibration Resistant ..... Yes
- Power Factor ..... > 0.90
- Total Harmonic Distortion ..... < 20%
- ETL Listed / UL Standard 1993 ..... Yes
- FCC Compliance ..... Part 15, Subp. C
- Warranty ..... 5 Year

### WIRING DIAGRAM (See Complete Installation Instructions)



### PHOTOMETRICS

